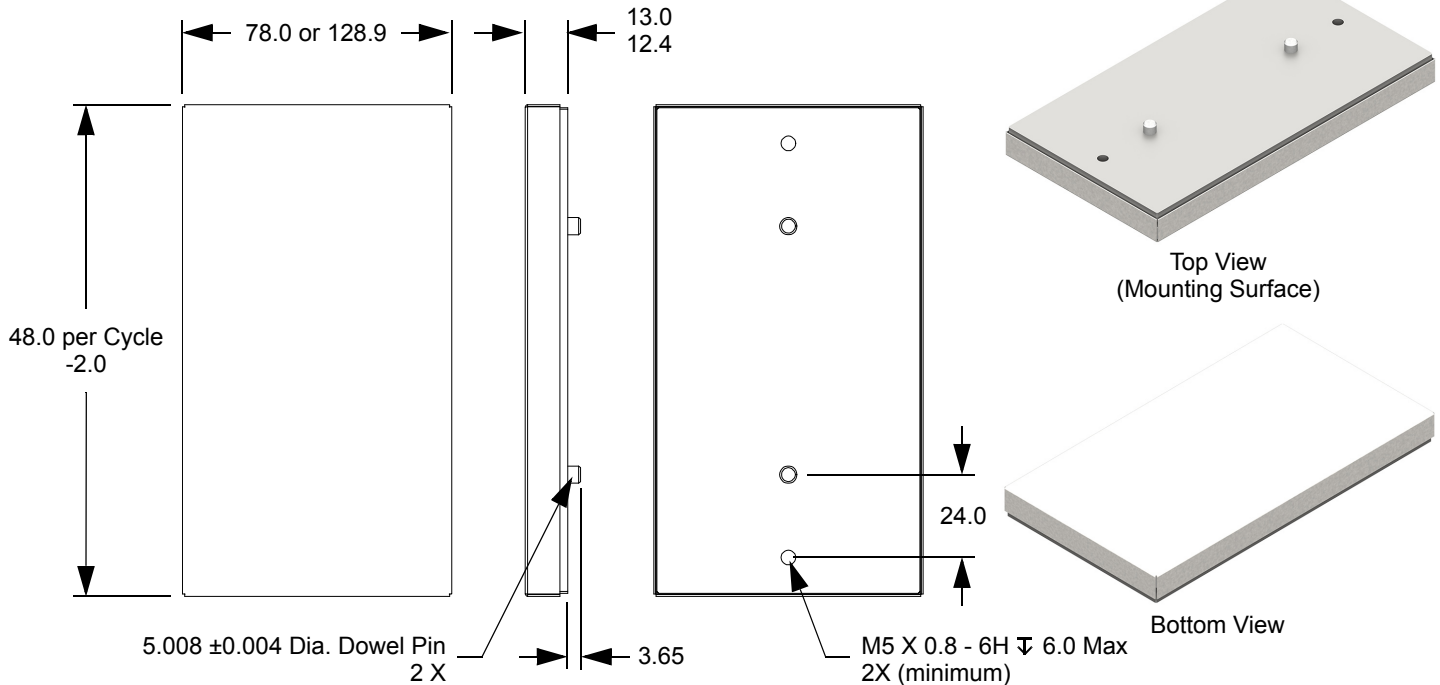


QuickStick 100 Magnet Arrays, SS Cover

Catalog Numbers: MMI-QS-M0103-C, MMI-QS-M0104-C, MMI-QS-M0105-C, MMI-QS-M0106-C, MMI-QS-M0107-C, MMI-QS-M0108-C, MMI-QS-M0109-C, MMI-QS-M0110-C, MMI-QS-M0115-C, MMI-QS-M0120-C, MMI-QS-M0203-C, MMI-QS-M0204-C, MMI-QS-M0205-C, MMI-QS-M0206-C, MMI-QS-M0207-C, MMI-QS-M0208-C, MMI-QS-M0209-C, MMI-QS-M0210-C, MMI-QS-M0215-C, MMI-QS-M0216-C, MMI-QS-M0220-C



- QuickStick[®] 100 systems consist of modules that include linear synchronous motors that are mounted to user-designed support structures, permanent magnet arrays attached to user-designed vehicles, controllers, and power supplies.
- The magnet array is enclosed using a stainless steel cover.
- The magnet array is attached to the vehicle with standard hardware and acts as the QuickStick 100 motor secondary, to move payloads through the QS 100 system as directed.
- Propulsive force applied to the vehicle scales linearly with magnet-array length, motor overlap, and motor/magnet gap.
- All vehicles on a QS 100 system must be the same length and use the same type of magnet array.
- Up to five magnet arrays in motion or in queue per meter (150 mm [5.9 in] length).
- The magnet arrays consist of high-strength neodymium magnets (NdFeB). The arrays are available in two widths (80.0 mm and 130.8 mm) and in lengths from 3 cycles (150.0 mm long) to 20 cycles (966.0 mm long). The quantity and locations of the mounting holes vary based on the size of the array.
- Magnet array base plate (back iron) is zinc-plated steel.
- Thrust force and hold down curves for determining the appropriate magnet array for a specific application are available in the QuickStick 100 User Manual.
- All precautions for handling high-strength neodymium magnets must be observed when using these magnet arrays.

Physical Specifications

Dimensions*: Varies based on model

Weight: Varies based on model

Environmental Specifications

Ambient Temperature: 0 °C to 50 °C

Relative Humidity: 85% max (relative, noncondensing)

* All dimensions are millimeters. Contact MagneMotion for detailed drawings.

Rockwell Automation Support

Use the following resources to access support information.

Technical Support Center	Knowledgebase Articles, How-to Videos, FAQs, Chat, User Forums, and Product Notification Updates.	https://rockwellautomation.custhelp.com/
Local Technical Support Phone Numbers	Locate the phone number for your country.	http://www.rockwellautomation.com/global/support/get-support-now.page
Direct Dial Codes	Find the Direct Dial Code for your product. Use the code to route your call directly to a technical support engineer.	http://www.rockwellautomation.com/global/support/direct-dial.page
Literature Library	Installation Instructions, Manuals, Brochures, and Technical Data.	http://www.rockwellautomation.com/global/literature-library/overview.page
Product Compatibility and Download Center (PCDC)	Get help determining how products interact, check features and capabilities, and find associated firmware.	http://www.rockwellautomation.com/global/support/pcdc.page

Documentation Feedback

Your comments will help us serve your documentation needs better. If you have any suggestions on how to improve this document, complete the How Are We Doing? form at http://literature.rockwellautomation.com/idc/groups/literature/documents/du/ra-du002_-en-e.pdf.

Rockwell Automation maintains current product environmental information on its website at <http://www.rockwellautomation.com/rockwellautomation/about-us/sustainability-ethics/product-environmental-compliance.page>.

Product certificates are located in the Rockwell Automation Literature Library: <http://www.rockwellautomation.com/global/literature-library/overview.page>

Allen-Bradley, Rockwell Software, and Rockwell Automation are trademarks of Rockwell Automation, Inc.

Trademarks not belonging to Rockwell Automation are property of their respective companies.

Rockwell Otomasyon Ticaret A.Ş., Kar Plaza İş Merkezi E Blok Kat:6 34752 İçerenköy, İstanbul, Tel: +90 (216) 5698400

www.rockwellautomation.com

Power, Control and Information Solutions Headquarters

Americas: Rockwell Automation, 1201 South Second Street, Milwaukee, WI 53204-2496 USA, Tel: (1) 414.382.2000, Fax: (1) 414.382.4444

Europe/Middle East/Africa: Rockwell Automation NV, Pegasus Park, De Kleetlaan 12a, 1831 Diegem, Belgium, Tel: (32) 2 663 0600, Fax: (32) 2 663 0640

Asia Pacific: Rockwell Automation, Level 14, Core F, Cyberport 3, 100 Cyberport Road, Hong Kong, Tel: (852) 2887 4788, Fax: (852) 2508 1846

Copyright © 2019 MagneMotion, A Rockwell Automation Company. All Rights Reserved.

139 Barnum Road, Devens, MA 01434, USA

+1 978-757-9100

Publication MMI-TD047A-EN-P - December 2019

DIR 10004925456
www.rockwellautomation.com