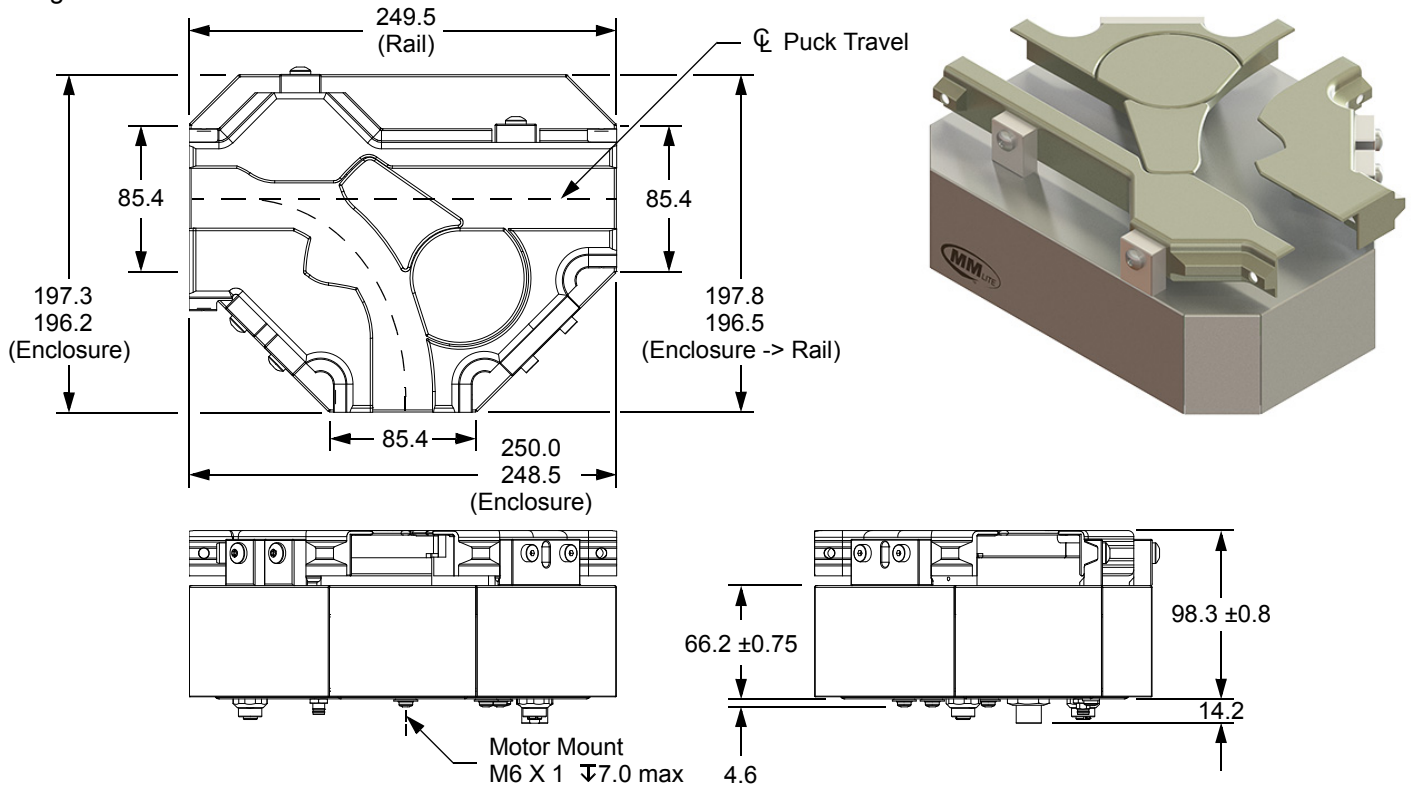


# MagneMover™ LITE High Payload Right Switch

Catalog Number: 700-1708-62



- MagneMover® LITE transport systems consist of modules that include motors and switches with integral rails, pucks (vehicles) with integral magnet arrays, controllers, and power supplies.
- MagneMover LITE switches contain integral motor controllers and position sensing.
- Switch is only available with Aluminum rails.
- Pucks that are used on the switches are approximately 62 mm by 62 mm.
- Wash-down capable, designed for IP65 (IEC 60529).
- CE Certified, UL Recognized.

## Physical Specifications

**Dimensions\*:** 197.8 W x 250.0 L x 112.5 H

**Weight:** 4.3 kg [9.5 lb]

\* All dimensions are millimeters. Contact MagneMotion for detailed drawings.

## Environmental Specifications

**Ambient Temperature:** 0 °C to 50 °C [32 °F to 122 °F]

**Relative Humidity:** 85% max (relative, noncondensing)

## Electrical Specifications

**Drive Rating:** 36 VDC ±10%, 1.5 A typical, 5.0 A max.

**Power:** 10 W drawn by the switch alone.  
Maximum additional power that is drawn by the switch is 15 W per magnet array when the vehicle is moving at maximum acceleration or velocity.

## Performance Specifications†

**Recommended Max Acceleration:** 2 m/s<sup>2</sup> [0.2 g]

**Recommended Max Velocity:** 2.0 m/s [4.5 mph]

**Recommended Max Payload:** Determined by puck type‡

† Performance varies based on payload, acceleration, velocity, and vehicle density.

‡ Glide: Single puck recommended max payload is 1 kg [2.2 lb], tandem puck recommended max payload is 2 kg [4.4 lb].

Wheeled: Single puck recommended max payload is 2.5 kg [5.5 lb], tandem puck recommended max payload is 10 kg [22.0 lb].

## Rockwell Automation Support

Use the following resources to access support information.

<b>Technical Support Center</b>	Knowledgebase Articles, How-to Videos, FAQs, Chat, User Forums, and Product Notification Updates.	<a href="https://rockwellautomation.custhelp.com/">https://rockwellautomation.custhelp.com/</a>
<b>Local Technical Support Phone Numbers</b>	Locate the phone number for your country.	<a href="http://www.rockwellautomation.com/global/support/get-support-now.page">http://www.rockwellautomation.com/global/support/get-support-now.page</a>
<b>Direct Dial Codes</b>	Find the Direct Dial Code for your product. Use the code to route your call directly to a technical support engineer.	<a href="http://www.rockwellautomation.com/global/support/direct-dial.page">http://www.rockwellautomation.com/global/support/direct-dial.page</a>
<b>Literature Library</b>	Installation Instructions, Manuals, Brochures, and Technical Data.	<a href="http://www.rockwellautomation.com/global/literature-library/overview.page">http://www.rockwellautomation.com/global/literature-library/overview.page</a>
<b>Product Compatibility and Download Center (PCDC)</b>	Get help determining how products interact, check features and capabilities, and find associated firmware.	<a href="http://www.rockwellautomation.com/global/support/pcdc.page">http://www.rockwellautomation.com/global/support/pcdc.page</a>

## Documentation Feedback

Your comments will help us serve your documentation needs better. If you have any suggestions on how to improve this document, complete the How Are We Doing? form at [http://literature.rockwellautomation.com/idc/groups/literature/documents/du/ra-du002\\_-en-e.pdf](http://literature.rockwellautomation.com/idc/groups/literature/documents/du/ra-du002_-en-e.pdf).

Rockwell Automation maintains current product environmental information on its website at <http://www.rockwellautomation.com/rockwellautomation/about-us/sustainability-ethics/product-environmental-compliance.page>.

Product certificates are located in the Rockwell Automation Literature Library: <http://www.rockwellautomation.com/global/literature-library/overview.page>

Allen-Bradley, Rockwell Software, and Rockwell Automation are trademarks of Rockwell Automation, Inc.

Trademarks not belonging to Rockwell Automation are property of their respective companies.

Rockwell Otomasyon Ticaret A.Ş., Kar Plaza İş Merkezi E Blok Kat:6 34752 İçerenköy, İstanbul, Tel: +90 (216) 5698400

**[www.rockwellautomation.com](http://www.rockwellautomation.com)**

---

### Power, Control and Information Solutions Headquarters

Americas: Rockwell Automation, 1201 South Second Street, Milwaukee, WI 53204-2496 USA, Tel: (1) 414.382.2000, Fax: (1) 414.382.4444

Europe/Middle East/Africa: Rockwell Automation NV, Pegasus Park, De Kleetlaan 12a, 1831 Diegem, Belgium, Tel: (32) 2 663 0600, Fax: (32) 2 663 0640

Asia Pacific: Rockwell Automation, Level 14, Core F, Cyberport 3, 100 Cyberport Road, Hong Kong, Tel: (852) 2887 4788, Fax: (852) 2508 1846

Copyright © 2019 MagneMotion, A Rockwell Automation Company. All Rights Reserved.

139 Barnum Road, Devens, MA 01434, USA

+1 978-757-9100

Publication MMI-TD044A-EN-P - July 2019

DIR 10004887404

[www.rockwellautomation.com](http://www.rockwellautomation.com)