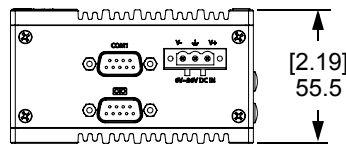
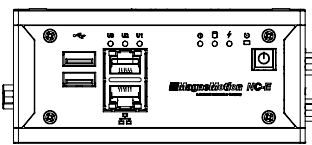
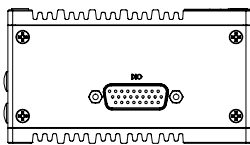
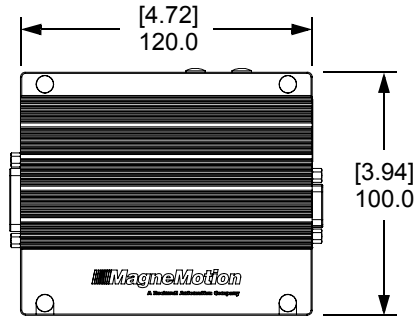


# Node Controller NC-E

Catalog Number: MMI-NC-ENET-01



- Manages commands and responses from the Host Controller to any Ethernet enabled MagneMotion motor.
- Coordinates vehicle movements.
- Tracks errors in the system.
- Programs and configures each motor.
- Supports up to 36 nodes based on configuration.
- Digital I/O (4 bits in/4 bits out) available for user supplied external devices such as E-stops and Light Stacks.
- CE Certified, UL Recognized.
- Mounting kit supplied for DIN-rail/wall mounting.

## Physical Specifications

**Dimensions\*:** 120.0 W x 100.0 L x 55.5 H  
[ 4.72 W x 3.94 L x 2.19 H]

**Weight:** 0.65 kg [1.43 lb]

\* All dimensions are millimeters [inches].

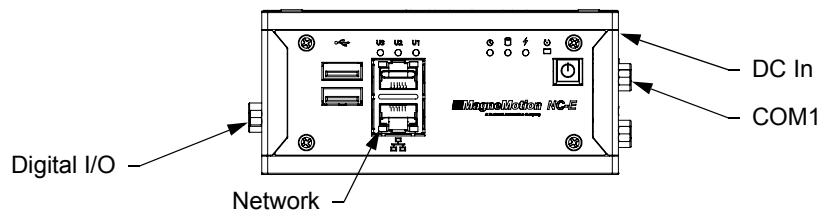
## Environmental Specifications

**Ambient Temperature:** 0° C to 50° C [32° F to 113° F]

**Relative Humidity:** ~95% @ 40°C [104° F] (noncondensing)

**Power Dissipation:** 40 W max

## Electrical Specifications



**Power Rating:** 6-36 VDC, 40 W (3P pluggable connector with latch (GND, V-, V+)\*).

**Network:** Standard 10/100/1000 BaseTx (auto-MDIX, auto-negotiation), Ethernet (RJ45, Female). Only the lower connector is active.

**COM1:** For connection of user-supplied terminal for setting the IP address (DE-9, Male).

**Digital I/O:** 4 optically isolated digital input bits and 4 optically isolated digital output bits (DA-26, Female).

\* MagneMotion requires grounding the NC-E through the chassis ground connection on the power connector.

## Rockwell Automation Support

Use the following resources to access support information.

<b>Technical Support Center</b>	Knowledgebase Articles, How-to Videos, FAQs, Chat, User Forums, and Product Notification Updates.	<a href="https://rockwellautomation.custhelp.com/">https://rockwellautomation.custhelp.com/</a>
<b>Local Technical Support Phone Numbers</b>	Locate the phone number for your country.	<a href="http://www.rockwellautomation.com/global/support/get-support-now.page">http://www.rockwellautomation.com/global/support/get-support-now.page</a>
<b>Direct Dial Codes</b>	Find the Direct Dial Code for your product. Use the code to route your call directly to a technical support engineer.	<a href="http://www.rockwellautomation.com/global/support/direct-dial.page">http://www.rockwellautomation.com/global/support/direct-dial.page</a>
<b>Literature Library</b>	Installation Instructions, Manuals, Brochures, and Technical Data.	<a href="http://www.rockwellautomation.com/global/literature-library/overview.page">http://www.rockwellautomation.com/global/literature-library/overview.page</a>
<b>Product Compatibility and Download Center (PCDC)</b>	Get help determining how products interact, check features and capabilities, and find associated firmware.	<a href="http://www.rockwellautomation.com/global/support/pcdc.page">http://www.rockwellautomation.com/global/support/pcdc.page</a>

## Documentation Feedback

Your comments will help us serve your documentation needs better. If you have any suggestions on how to improve this document, complete the How Are We Doing? form at [http://literature.rockwellautomation.com/idc/groups/literature/documents/du/ra-du002\\_-en-e.pdf](http://literature.rockwellautomation.com/idc/groups/literature/documents/du/ra-du002_-en-e.pdf).

Rockwell Automation maintains current product environmental information on its website at <http://www.rockwellautomation.com/rockwellautomation/about-us/sustainability-ethics/product-environmental-compliance.page>.

Product certificates are located in the Rockwell Automation Literature Library: <http://www.rockwellautomation.com/global/literature-library/overview.page>

Allen-Bradley, Rockwell Software, and Rockwell Automation are trademarks of Rockwell Automation, Inc.

Trademarks not belonging to Rockwell Automation are property of their respective companies.

Rockwell Otomasyon Ticaret A.Ş., Kar Plaza İş Merkezi E Blok Kat:6 34752 İçerenköy, İstanbul, Tel: +90 (216) 5698400

**[www.rockwellautomation.com](http://www.rockwellautomation.com)**

### Power, Control and Information Solutions Headquarters

Americas: Rockwell Automation, 1201 South Second Street, Milwaukee, WI 53204-2496 USA, Tel: (1) 414.382.2000, Fax: (1) 414.382.4444

Europe/Middle East/Africa: Rockwell Automation NV, Pegasus Park, De Kleetlaan 12a, 1831 Diegem, Belgium, Tel: (32) 2 663 0600, Fax: (32) 2 663 0640

Asia Pacific: Rockwell Automation, Level 14, Core F, Cyberport 3, 100 Cyberport Road, Hong Kong, Tel: (852) 2887 4788, Fax: (852) 2508 1846

Copyright © 2019 MagneMotion, A Rockwell Automation Company. All Rights Reserved.

139 Barnum Road, Devens, MA 01434, USA

+1 978-757-9100

Publication MMI-TD039B-EN-P - December 2019

Supersedes MMI-TD039A-EN-P - February 2019

DIR 10004643347

[www.rockwellautomation.com](http://www.rockwellautomation.com)