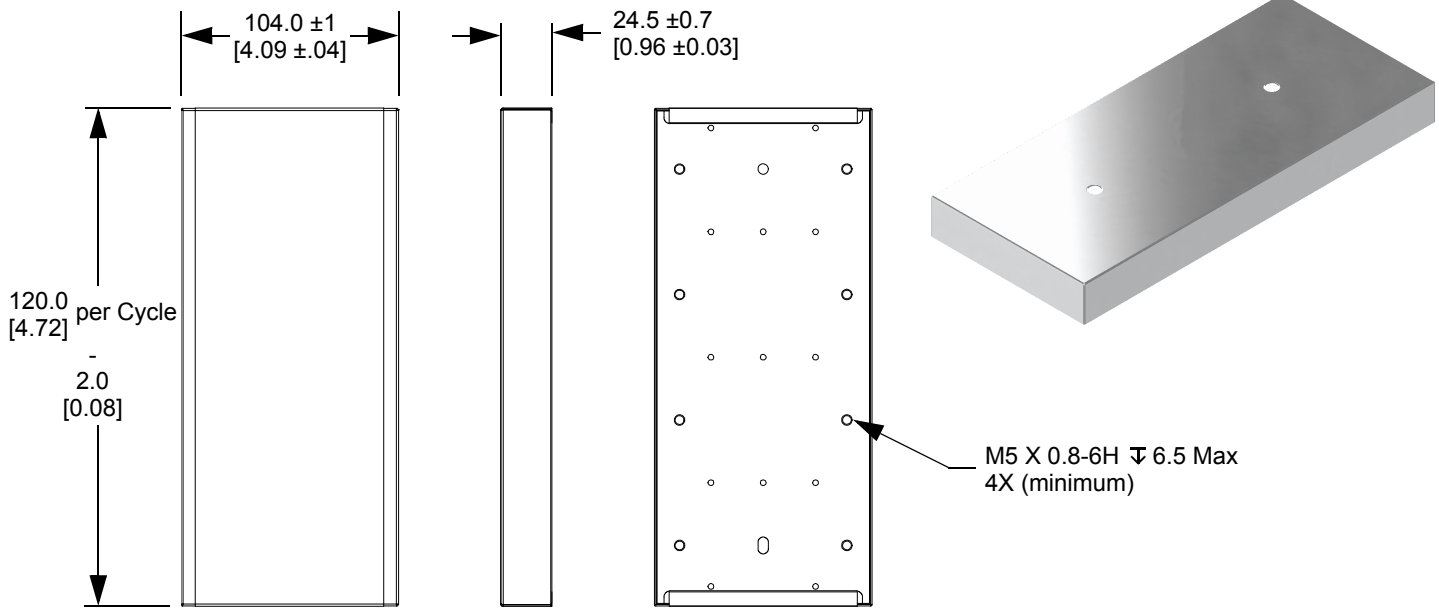


# QSHT High Flux High Temp Magnet Arrays

Catalog Number: 700-1642-00



- QuickStick High Thrust systems consist of modules that include motors mounted to user-designed support structures, magnet arrays mounted to user-designed vehicles, motor controllers, system controllers, and power supplies.
- The magnet array is attached to the user’s vehicle using standard hardware, acting as the QuickStick HT motor secondary, to move payloads through the QSHT system as directed.
- Propulsive force applied to the vehicle scales linearly with magnet-array to motor overlap.
- All vehicles on a QSHT system must be the same length and use the same type of magnet array.
- The QSHT high flux high temperature magnet arrays consist of high-strength neodymium magnets (NdFeB) and are available in lengths from 2 cycles (238 mm [9.4 in]) to 8 cycles (958 mm [37.7 in]). Note that the quantity and locations of the mounting holes will vary based on the size of the array.
- Thrust force curves for determining the appropriate magnet array for a specific application are available on request.
- High-strength permanent magnet arrays are enclosed in a stainless steel housing designed for IP50.
- Magnet array base plate (back iron) is Zinc plated steel.
- All precautions for handling high-strength neodymium magnets must be observed when using these magnet arrays.

## Physical Specifications

**Dimensions\*:** 104 W x 120 per cycle - 2 x 24.5 H  
**Weight:** ~2.25 kg per cycle

## Environmental Specifications

**Ambient Temperature:** 0 °C to 150 °C  
**Relative Humidity:** N/A

\* All dimensions are millimeters. Contact MagneMotion for detailed drawings.

## Rockwell Automation Support

Use the following resources to access support information.

|   |   |   |
|---|---|---|
| <b>Technical Support Center</b>                         | Knowledgebase Articles, How-to Videos, FAQs, Chat, User Forums, and Product Notification Updates.                     | <a href="https://rockwellautomation.custhelp.com/">https://rockwellautomation.custhelp.com/</a>   |
| <b>Local Technical Support Phone Numbers</b>            | Locate the phone number for your country.   | <a href="http://www.rockwellautomation.com/global/support/get-support-now.page">http://www.rockwellautomation.com/global/support/get-support-now.page</a>         |
| <b>Direct Dial Codes</b>                                | Find the Direct Dial Code for your product. Use the code to route your call directly to a technical support engineer. | <a href="http://www.rockwellautomation.com/global/support/direct-dial.page">http://www.rockwellautomation.com/global/support/direct-dial.page</a>                 |
| <b>Literature Library</b>                               | Installation Instructions, Manuals, Brochures, and Technical Data.  | <a href="http://www.rockwellautomation.com/global/literature-library/overview.page">http://www.rockwellautomation.com/global/literature-library/overview.page</a> |
| <b>Product Compatibility and Download Center (PCDC)</b> | Get help determining how products interact, check features and capabilities, and find associated firmware.            | <a href="http://www.rockwellautomation.com/global/support/pcdc.page">http://www.rockwellautomation.com/global/support/pcdc.page</a>                               |

## Documentation Feedback

Your comments will help us serve your documentation needs better. If you have any suggestions on how to improve this document, complete the How Are We Doing? form at [http://literature.rockwellautomation.com/idc/groups/literature/documents/du/ra-du002\\_-en-e.pdf](http://literature.rockwellautomation.com/idc/groups/literature/documents/du/ra-du002_-en-e.pdf).

Rockwell Automation maintains current product environmental information on its website at <http://www.rockwellautomation.com/rockwellautomation/about-us/sustainability-ethics/product-environmental-compliance.page>.

Product certificates are located in the Rockwell Automation Literature Library: <http://www.rockwellautomation.com/global/literature-library/overview.page>

Allen-Bradley, Rockwell Software, and Rockwell Automation are trademarks of Rockwell Automation, Inc.

Trademarks not belonging to Rockwell Automation are property of their respective companies.

Rockwell Otomasyon Ticaret A.Ş., Kar Plaza İş Merkezi E Blok Kat:6 34752 İçerenköy, İstanbul, Tel: +90 (216) 5698400

**[www.rockwellautomation.com](http://www.rockwellautomation.com)**

### Power, Control and Information Solutions Headquarters

Americas: Rockwell Automation, 1201 South Second Street, Milwaukee, WI 53204-2496 USA, Tel: (1) 414.382.2000, Fax: (1) 414.382.4444

Europe/Middle East/Africa: Rockwell Automation NV, Pegasus Park, De Kleetlaan 12a, 1831 Diegem, Belgium, Tel: (32) 2 663 0600, Fax: (32) 2 663 0640

Asia Pacific: Rockwell Automation, Level 14, Core F, Cyberport 3, 100 Cyberport Road, Hong Kong, Tel: (852) 2887 4788, Fax: (852) 2508 1846

Copyright © 2017 MagneMotion, A Rockwell Automation Company. All Rights Reserved.

139 Barnum Road, Devens, MA 01434, USA

+1 978-757-9100

Publication MMI-TD038A-EN-P - December 2017

DIR 10003616211

[www.rockwellautomation.com](http://www.rockwellautomation.com)