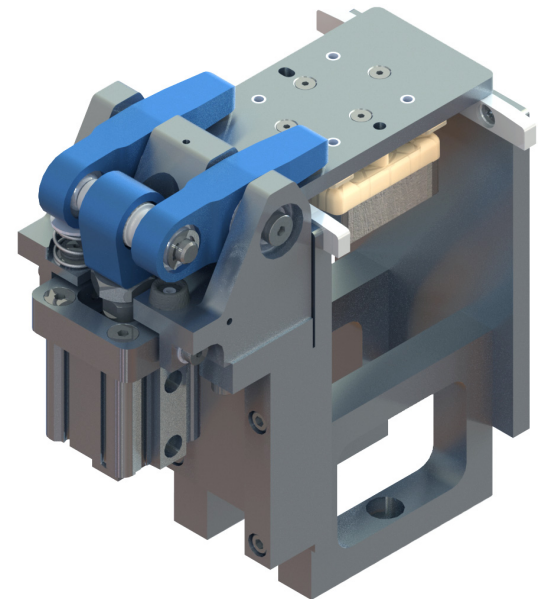
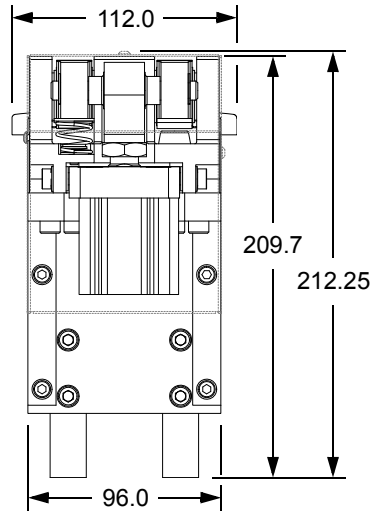
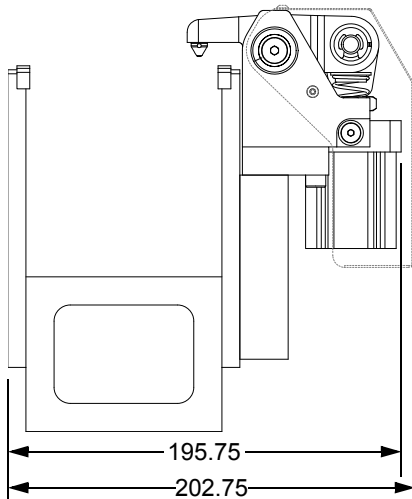
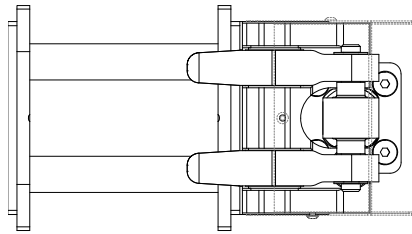


MagneMover™ LITE Precision Locator

Catalog Numbers: 700-1670-00, 700-1670-01



Cover Available Separately, Not Shown For Clarity
Stand Available Separately
Puck Available Separately

- Fully integrated with MagneMover LITE systems with integrated rails.
- Compatible with standard puck and wide payloads.
- Fully constrains puck in station.
- Compatible with straight motors.
- High positional repeatability and fast index time.
- Anvil support, compatible with centered and cantilevered payloads
- CE Certified, UL Recognized.

Physical Specifications

Dimensions*: 93.2 W x 197.5 L x 211.7 H
[3.67 W x 7.77 L x 8.33 H]
Weight: 2.5 kg [5.5 lb]

* All dimensions are millimeters.

Pneumatic Specifications

Power: 2.03 cc³/sec @ 0.41 mPa
[0.0043 scfm @ 60 psi] per cycle
Port Type: Rc 1/8 in Thread

Environmental Specifications

Ambient Temperature: 0° C to 50° C [32° F to 122° F]
Relative Humidity: 85% max (relative, non-condensing)

Performance Specifications*

Puck Exchange Time 0.8 seconds
X/Y Repeatability ±0.05 mm
Z Repeatability +0.0/-0.05 mm
Anvil (Z) Support† 500 N [112 lbf]

* Operating performance will vary based on payloads, acceleration and velocity settings, and vehicle density.

† Vertical load on the pallet while secured in the Precision Locator. Higher loads possible based on pallet design.

Rockwell Automation Support

Use the following resources to access support information.

Technical Support Center	Knowledgebase Articles, How-to Videos, FAQs, Chat, User Forums, and Product Notification Updates.	https://rockwellautomation.custhelp.com/
Local Technical Support Phone Numbers	Locate the phone number for your country.	http://www.rockwellautomation.com/global/support/get-support-now.page
Direct Dial Codes	Find the Direct Dial Code for your product. Use the code to route your call directly to a technical support engineer.	http://www.rockwellautomation.com/global/support/direct-dial.page
Literature Library	Installation Instructions, Manuals, Brochures, and Technical Data.	http://www.rockwellautomation.com/global/literature-library/overview.page
Product Compatibility and Download Center (PCDC)	Get help determining how products interact, check features and capabilities, and find associated firmware.	http://www.rockwellautomation.com/global/support/pcdc.page

Documentation Feedback

Your comments will help us serve your documentation needs better. If you have any suggestions on how to improve this document, complete the How Are We Doing? form at http://literature.rockwellautomation.com/idc/groups/literature/documents/du/ra-du002_-en-e.pdf.

Rockwell Automation maintains current product environmental information on its website at <http://www.rockwellautomation.com/rockwellautomation/about-us/sustainability-ethics/product-environmental-compliance.page>.

Product certificates are located in the Rockwell Automation Literature Library: <http://www.rockwellautomation.com/global/literature-library/overview.page>

Allen-Bradley, Rockwell Software, and Rockwell Automation are trademarks of Rockwell Automation, Inc.

Trademarks not belonging to Rockwell Automation are property of their respective companies.

Rockwell Otomasyon Ticaret A.Ş., Kar Plaza İş Merkezi E Blok Kat:6 34752 İçerenköy, İstanbul, Tel: +90 (216) 5698400

www.rockwellautomation.com

Power, Control and Information Solutions Headquarters

Americas: Rockwell Automation, 1201 South Second Street, Milwaukee, WI 53204-2496 USA, Tel: (1) 414.382.2000, Fax: (1) 414.382.4444

Europe/Middle East/Africa: Rockwell Automation NV, Pegasus Park, De Kleetlaan 12a, 1831 Diegem, Belgium, Tel: (32) 2 663 0600, Fax: (32) 2 663 0640

Asia Pacific: Rockwell Automation, Level 14, Core F, Cyberport 3, 100 Cyberport Road, Hong Kong, Tel: (852) 2887 4788, Fax: (852) 2508 1846

Copyright © 2016 MagneMotion, A Rockwell Automation Company. All Rights Reserved.

139 Barnum Road, Devens, MA 01434, USA

+1 978-757-9100

Publication MMI-TD034A-EN-P - March 2016

DIR 990000737

www.rockwellautomation.com