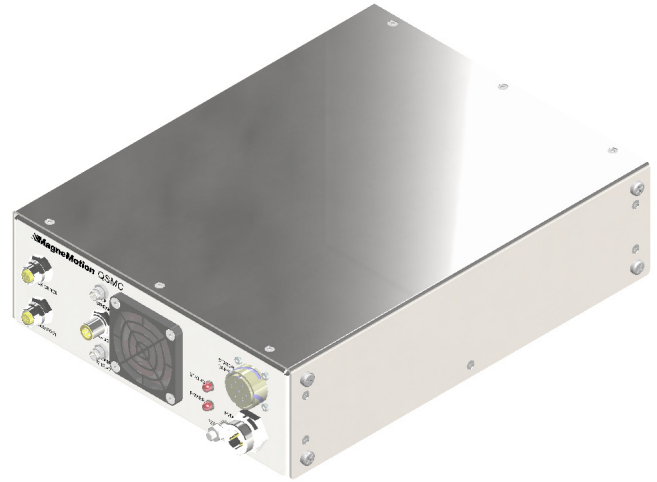
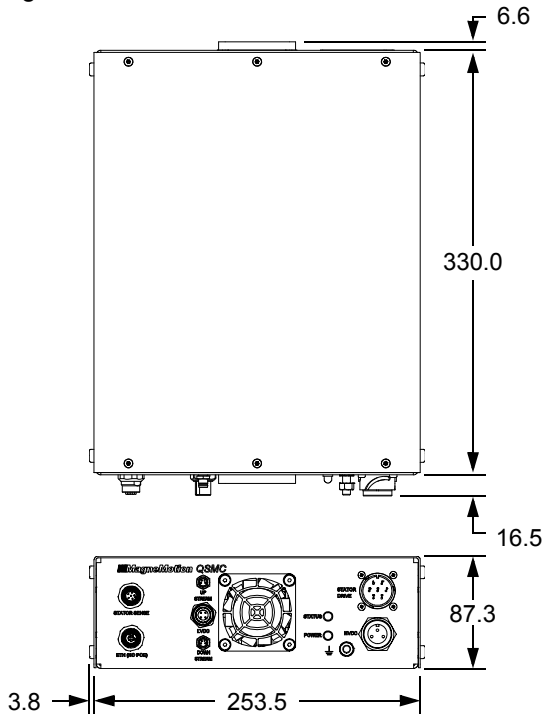


QuickStick HT Motor Controller QSMC

Catalog Number 700-1563-00



- QuickStick High Thrust systems consist of modules that include motors mounted to user-designed support structures, magnet arrays mounted to user-designed vehicles, motor controllers, system controllers, and power supplies.
- External controller for one QuickStick[®] HT 1 m motor.
- Separate LVDC power source allows motor configuration without enabling propulsion power.
- IP20 (IEC 60529) ingress protection rating.
- CE Certified, UL Recognized.
- 19" rack mounting kit available.

Physical Specifications

Dimensions*: 253.5 W x 330.0 L x 87.3 H

Weight: 5.89 kg [13 lb]

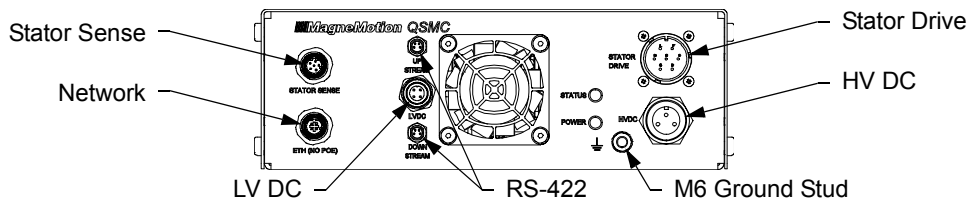
* All dimensions are millimeters.

Environmental Specifications

Ambient Temperature: 0° C to 50° C [32° F to 122° F]

Relative Humidity: 85% max (relative, non-condensing)

Electrical Specifications



Input Power Rating[†]: HVDC: 270 VDC min - 400 VDC, 5 A typ, 15 A max (2 sec max) (Powerfast, 3-Pin, Male)
LVDC: 24 VDC ±5%, 0.6 A (M12 Eurofast, FSFD 4.4, Male)

Output Power (Stator Drive): 400 V max, 3 phase, 10 A RMS cont., 15 A RMS max (16S-1S, 7-Pin, Female)

Network: Standard 10/100/1000 BaseTx, full duplex, Ethernet (M12 Eurofast, FKFDD, Female)

Stator Sense: Magnet array position sense (M12 Eurofast, 6-Pin, Female)

Up/Down Stream: RS-422 for Node Controller communication (M8, Nano-Mizer, 4-Pin, Male)

[†] Power drawn varies based on the vehicles being used and the maximum acceleration or velocity of the vehicles.

Rockwell Automation Support

Use the following resources to access support information.

Technical Support Center	Knowledgebase Articles, How-to Videos, FAQs, Chat, User Forums, and Product Notification Updates.	https://rockwellautomation.custhelp.com/
Local Technical Support Phone Numbers	Locate the phone number for your country.	http://www.rockwellautomation.com/global/support/get-support-now.page
Direct Dial Codes	Find the Direct Dial Code for your product. Use the code to route your call directly to a technical support engineer.	http://www.rockwellautomation.com/global/support/direct-dial.page
Literature Library	Installation Instructions, Manuals, Brochures, and Technical Data.	http://www.rockwellautomation.com/global/literature-library/overview.page
Product Compatibility and Download Center (PCDC)	Get help determining how products interact, check features and capabilities, and find associated firmware.	http://www.rockwellautomation.com/global/support/pcdc.page

Documentation Feedback

Your comments will help us serve your documentation needs better. If you have any suggestions on how to improve this document, complete the How Are We Doing? form at http://literature.rockwellautomation.com/idc/groups/literature/documents/du/ra-du002_-en-e.pdf.

Rockwell Automation maintains current product environmental information on its website at <http://www.rockwellautomation.com/rockwellautomation/about-us/sustainability-ethics/product-environmental-compliance.page>.

Product certificates are located in the Rockwell Automation Literature Library: <http://www.rockwellautomation.com/global/literature-library/overview.page>

Allen-Bradley, Rockwell Software, and Rockwell Automation are trademarks of Rockwell Automation, Inc.

Trademarks not belonging to Rockwell Automation are property of their respective companies.

Rockwell Otomasyon Ticaret A.Ş., Kar Plaza İş Merkezi E Blok Kat:6 34752 İçerenköy, İstanbul, Tel: +90 (216) 5698400

www.rockwellautomation.com

Power, Control and Information Solutions Headquarters

Americas: Rockwell Automation, 1201 South Second Street, Milwaukee, WI 53204-2496 USA, Tel: (1) 414.382.2000, Fax: (1) 414.382.4444

Europe/Middle East/Africa: Rockwell Automation NV, Pegasus Park, De Kleetlaan 12a, 1831 Diegem, Belgium, Tel: (32) 2 663 0600, Fax: (32) 2 663 0640

Asia Pacific: Rockwell Automation, Level 14, Core F, Cyberport 3, 100 Cyberport Road, Hong Kong, Tel: (852) 2887 4788, Fax: (852) 2508 1846

Copyright © 2015–2018 MagneMotion, A Rockwell Automation Company. All Rights Reserved.

139 Barnum Road, Devens, MA 01434, USA

+1 978-757-9100

Publication MMI-TD026D-EN-P - January 2018

Supersedes 990000681 Rev. C

DIR 990000681

www.rockwellautomation.com