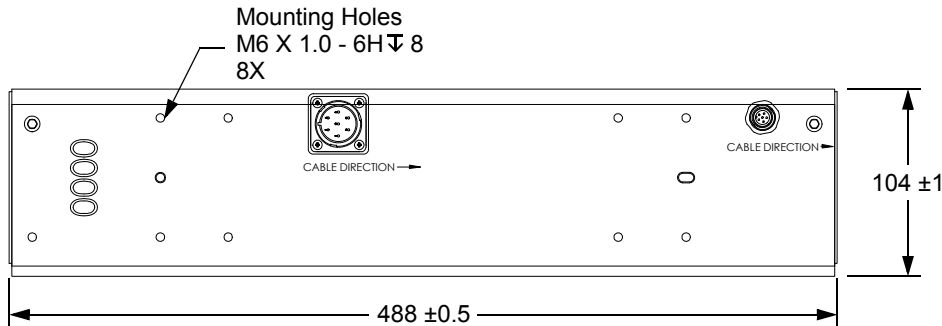
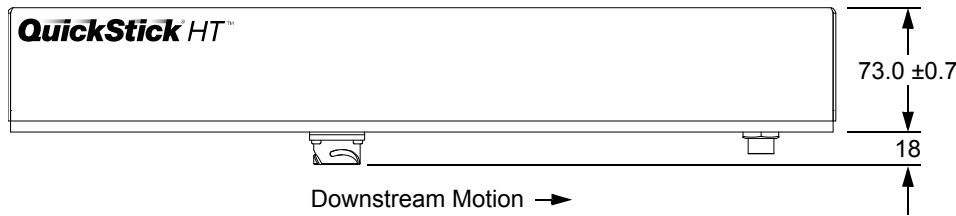


QuickStick HT 1/2 m Motor

Catalog Number 700-1483-01



- QuickStick High Thrust systems consist of modules that include motors mounted to user-designed support structures, magnet arrays mounted to user-designed vehicles, motor controllers, system controllers, and power supplies.
- All QSHT motors contain integral position sensing and use external QuickStick High Thrust Motor Controllers.
- Mounting holes are located on the motor bottom for mounting.
- Motor is designed for IP67 (IEC 60529), motor controller is designed for IP20 and can be located remotely.
- CE Certified, UL Recognized.

Physical Specifications

Dimensions^{*}: 104.0 W x 73.0 H x 488.0 L

Weight: 19.5 kg [43.0 lbs]

* All dimensions are millimeters. Contact MagneMotion for detailed drawings.

Electrical Specifications

Power Rating, Max[†]: 10 A RMS continuous,
14 A RMS overload (2 sec max) @
400 V max

Environmental Specifications

Ambient Temperature: 0 °C to 50 °C at rated power
0 °C to 85 °C with power derating

Relative Humidity: N/A

Performance Specifications[‡]

Acceleration, Max[§]: 60 m/s² [6.1 g] payload dependent

Velocity, Max[§]: 3.5 m/s [7.8 mph]

Thrust, Max[¶]: 25% duty cycle – 190 N/cycle
100% duty cycle – 99 N/cycle

Servo Repeatability[◇]: ±1 mm [0.04 in] nominal

Recommended Maximum Payload: 4,500 kg [9900 lb] per vehicle
(determined by magnet array length and support structure)

† The drive current to the stator is controlled by the QSHT controller and is thermally limited.

‡ Operating performance will vary based on payloads, acceleration and velocity settings, and vehicle density.

§ Maximum Acceleration and Velocity are at recommended maximum payload.

¶ Thrust at Nominal Vehicle Gap (distance between the magnet array and the motor) of 12 mm, per magnet array cycle.

◇ Repeatability is dependent on the size of the gap between the motor and the vehicle and may vary based on track and vehicle design/structure. Repeatability is not applicable over the gaps between motors.

Rockwell Automation Support

Use the following resources to access support information.

Technical Support Center	Knowledgebase Articles, How-to Videos, FAQs, Chat, User Forums, and Product Notification Updates.	https://rockwellautomation.custhelp.com/
Local Technical Support Phone Numbers	Locate the phone number for your country.	http://www.rockwellautomation.com/global/support/get-support-now.page
Direct Dial Codes	Find the Direct Dial Code for your product. Use the code to route your call directly to a technical support engineer.	http://www.rockwellautomation.com/global/support/direct-dial.page
Literature Library	Installation Instructions, Manuals, Brochures, and Technical Data.	http://www.rockwellautomation.com/global/literature-library/overview.page
Product Compatibility and Download Center (PCDC)	Get help determining how products interact, check features and capabilities, and find associated firmware.	http://www.rockwellautomation.com/global/support/pcdc.page

Documentation Feedback

Your comments will help us serve your documentation needs better. If you have any suggestions on how to improve this document, complete the How Are We Doing? form at http://literature.rockwellautomation.com/idc/groups/literature/documents/du/ra-du002_-en-e.pdf.

Rockwell Automation maintains current product environmental information on its website at <http://www.rockwellautomation.com/rockwellautomation/about-us/sustainability-ethics/product-environmental-compliance.page>.

Product certificates are located in the Rockwell Automation Literature Library: <http://www.rockwellautomation.com/global/literature-library/overview.page>

Allen-Bradley, Rockwell Software, and Rockwell Automation are trademarks of Rockwell Automation, Inc.

Trademarks not belonging to Rockwell Automation are property of their respective companies.

Rockwell Otomasyon Ticaret A.Ş., Kar Plaza İş Merkezi E Blok Kat:6 34752 İçerenköy, İstanbul, Tel: +90 (216) 5698400

www.rockwellautomation.com

Power, Control and Information Solutions Headquarters

Americas: Rockwell Automation, 1201 South Second Street, Milwaukee, WI 53204-2496 USA, Tel: (1) 414.382.2000, Fax: (1) 414.382.4444

Europe/Middle East/Africa: Rockwell Automation NV, Pegasus Park, De Kleetlaan 12a, 1831 Diegem, Belgium, Tel: (32) 2 663 0600, Fax: (32) 2 663 0640

Asia Pacific: Rockwell Automation, Level 14, Core F, Cyberport 3, 100 Cyberport Road, Hong Kong, Tel: (852) 2887 4788, Fax: (852) 2508 1846

Copyright © 2017 MagneMotion, A Rockwell Automation Company. All Rights Reserved.

139 Barnum Road, Devens, MA 01434, USA

+1 978-757-9100

Publication MMI-TD023A-EN-P - February 2017

DIR 990000678

www.rockwellautomation.com