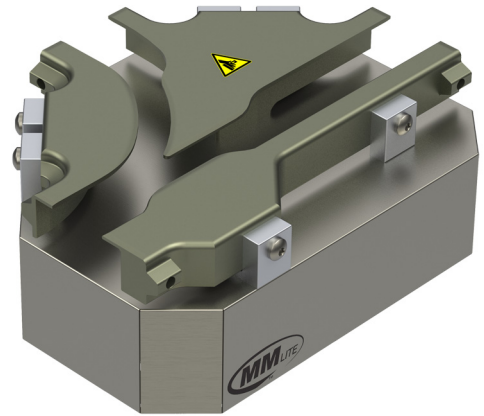
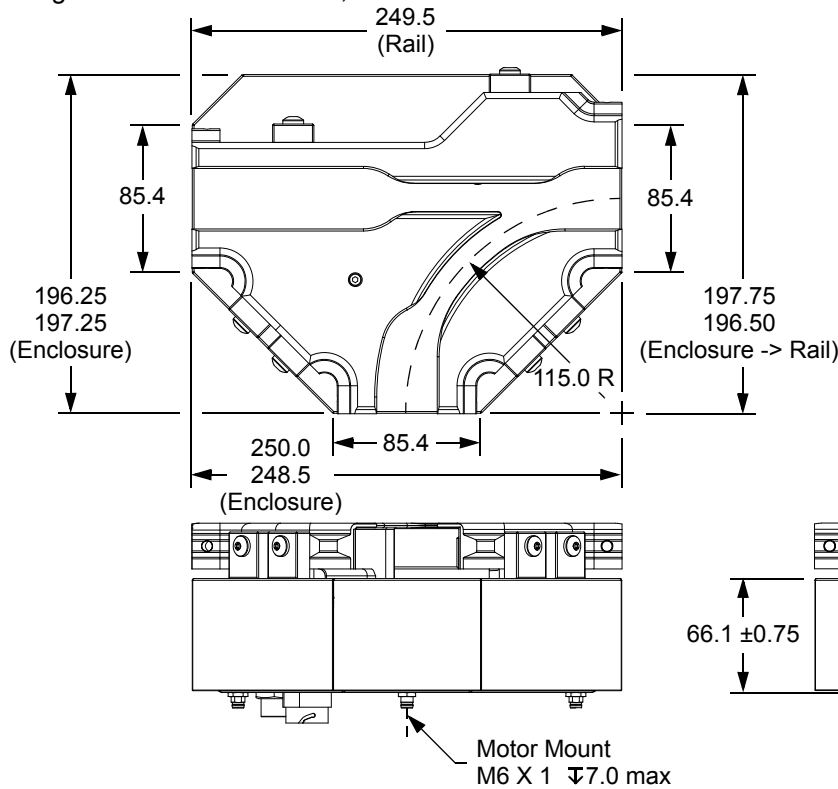


MagneMover™ LITE Left Switch

Catalog Numbers 700-1308-80, 700-1308-81



- MagneMover LITE systems consist of modules that include motors, vehicles (pucks) with integral magnet arrays, switches, controllers, and power supplies.
- MagneMover LITE switches contain integral motor controllers and position sensing.
- Switches are available with Aluminum rails or Stainless Steel rails (Aluminum rails shown).
- Pucks used on the switches are approximately 62 mm by 62 mm.
- Up to nine (9) pucks in motion per meter.
- Up to ten (10) pucks in queue per meter standard, up to twelve (12) pucks in queue per meter depending upon application.
- Wash-down capable, designed for IP65 (IEC 60529).
- CE Certified, UL Recognized.

Physical Specifications

Dimensions*: 197.8 W x 250.0 L x 116.2 H, 115.0 R

Weight: 4.1 kg [4.0 lb] (Aluminum Rails)

* All dimensions are millimeters. Contact MagneMotion for detailed drawings.

Environmental Specifications

Ambient Temperature: 0° C to 50° C [32° F to 122° F]

Relative Humidity: 85% max (relative, non-condensing)

Electrical Specifications

Drive Rating: 36 VDC ±10%, 1.5 A typical, 5.0 A max.

Power: 10 W drawn by the switch alone.
Maximum additional power drawn by the switch is 15 W per magnet array when the vehicle is moving at maximum acceleration or velocity.

Performance Specifications†

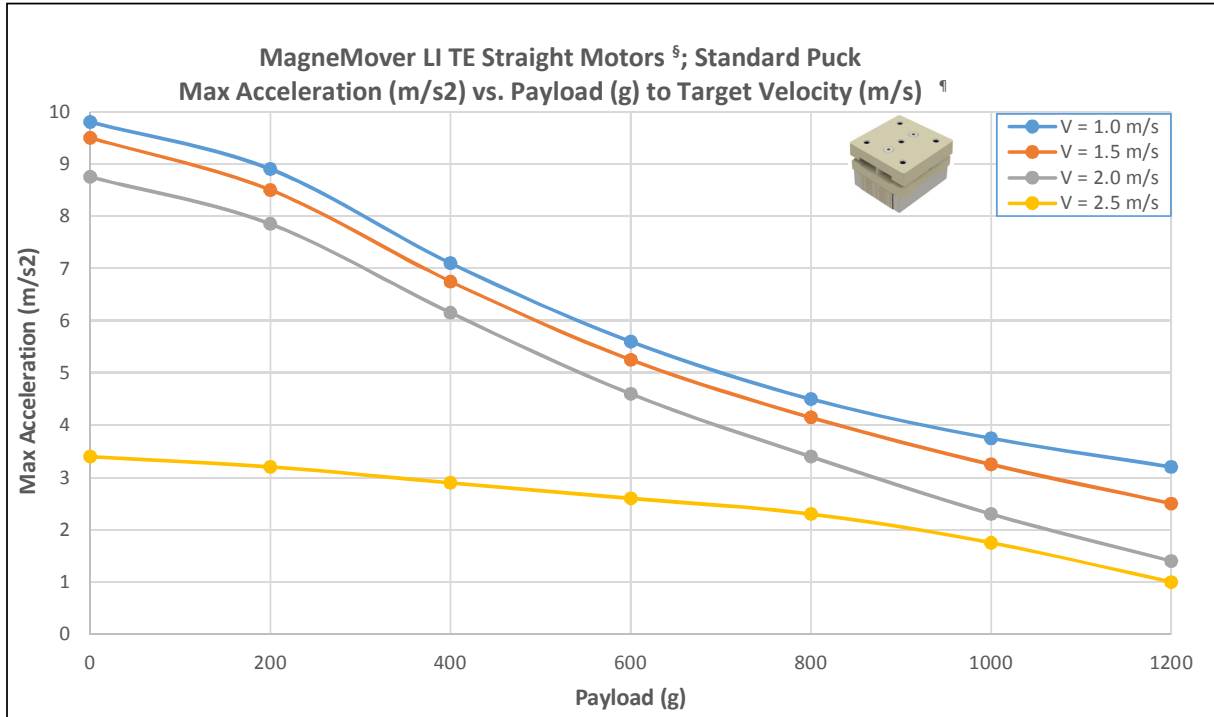
Recommended Max Acceleration: 2 m/s² [0.2 g]

Recommended Max Velocity: 2.0 m/s [4.5 mph]

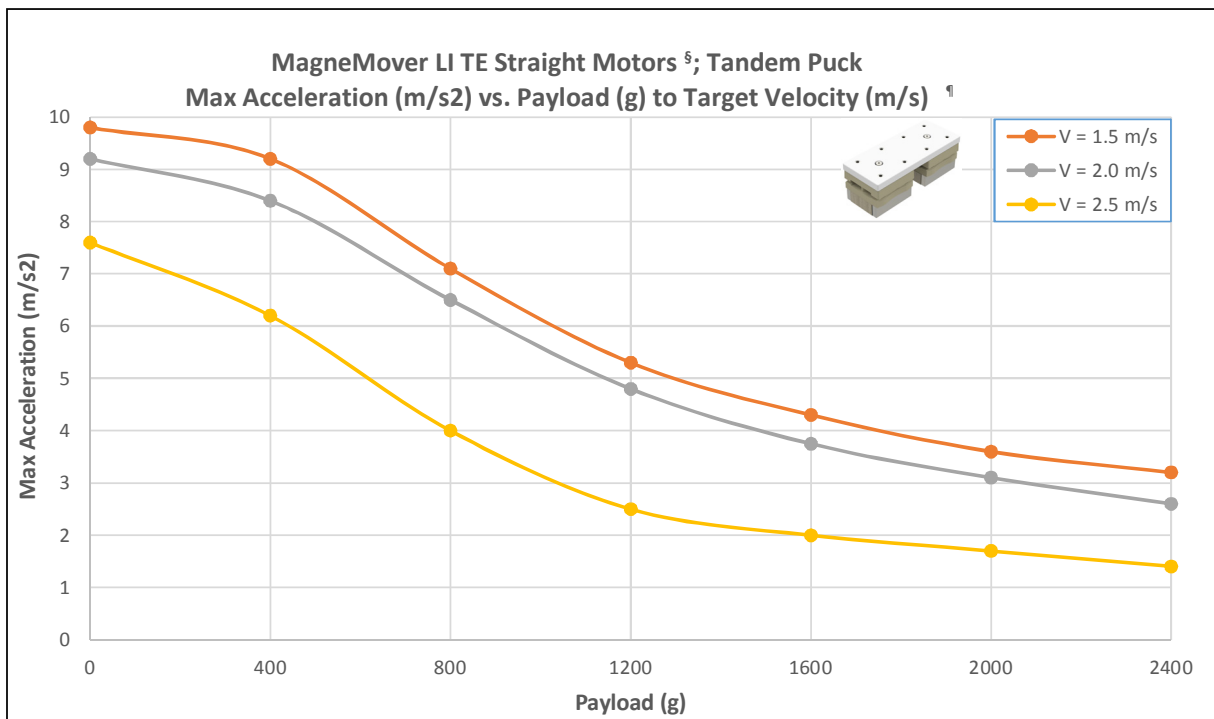
Recommended Max Payload: 1 kg per puck‡

† Operating performance will vary based on payloads, acceleration and velocity settings, and vehicle density.

‡ Single puck recommended maximum payload is 1 kg, tandem puck recommended maximum payload is 2 kg.



§ Vehicle performance while moving on a straight path. Performance will be reduced when on curves and switches.
¶ Graph cannot be used to calculate optimal move times for distances less than 1 m as settling time plays an appreciable role.



§ Vehicle performance while moving on a straight path. Performance will be reduced when on curves and switches.
¶ Graph cannot be used to calculate optimal move times for distances less than 1 m as settling time plays an appreciable role.

Rockwell Automation Support

Use the following resources to access support information.

Technical Support Center	Knowledgebase Articles, How-to Videos, FAQs, Chat, User Forums, and Product Notification Updates.	https://rockwellautomation.custhelp.com/
Local Technical Support Phone Numbers	Locate the phone number for your country.	http://www.rockwellautomation.com/global/support/get-support-now.page
Direct Dial Codes	Find the Direct Dial Code for your product. Use the code to route your call directly to a technical support engineer.	http://www.rockwellautomation.com/global/support/direct-dial.page
Literature Library	Installation Instructions, Manuals, Brochures, and Technical Data.	http://www.rockwellautomation.com/global/literature-library/overview.page
Product Compatibility and Download Center (PCDC)	Get help determining how products interact, check features and capabilities, and find associated firmware.	http://www.rockwellautomation.com/global/support/pcdc.page

Documentation Feedback

Your comments will help us serve your documentation needs better. If you have any suggestions on how to improve this document, complete the How Are We Doing? form at http://literature.rockwellautomation.com/idc/groups/literature/documents/du/ra-du002_-en-e.pdf.

Rockwell Automation maintains current product environmental information on its website at <http://www.rockwellautomation.com/rockwellautomation/about-us/sustainability-ethics/product-environmental-compliance.page>.

Product certificates are located in the Rockwell Automation Literature Library: <http://www.rockwellautomation.com/global/literature-library/overview.page>

Allen-Bradley, Rockwell Software, and Rockwell Automation are trademarks of Rockwell Automation, Inc.

Trademarks not belonging to Rockwell Automation are property of their respective companies.

Rockwell Otomasyon Ticaret A.Ş., Kar Plaza İş Merkezi E Blok Kat:6 34752 İçerenköy, İstanbul, Tel: +90 (216) 5698400

www.rockwellautomation.com

Power, Control and Information Solutions Headquarters

Americas: Rockwell Automation, 1201 South Second Street, Milwaukee, WI 53204-2496 USA, Tel: (1) 414.382.2000, Fax: (1) 414.382.4444

Europe/Middle East/Africa: Rockwell Automation NV, Pegasus Park, De Kleetlaan 12a, 1831 Diegem, Belgium, Tel: (32) 2 663 0600, Fax: (32) 2 663 0640

Asia Pacific: Rockwell Automation, Level 14, Core F, Cyberport 3, 100 Cyberport Road, Hong Kong, Tel: (852) 2887 4788, Fax: (852) 2508 1846

Copyright © 2013–2016 MagneMotion, A Rockwell Automation Company. All Rights Reserved.

139 Barnum Road, Devens, MA 01434, USA

+1 978-757-9100

Publication MMI-TD021B-EN-P - December 2016

Supersedes 990000535 Rev. A

DIR 990000535

www.rockwellautomation.com