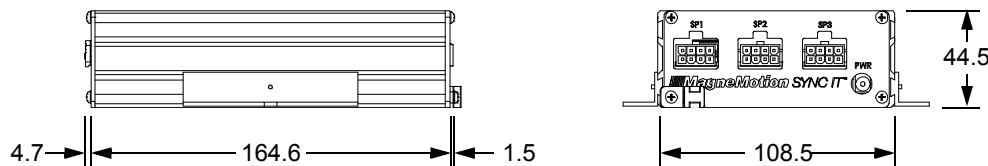
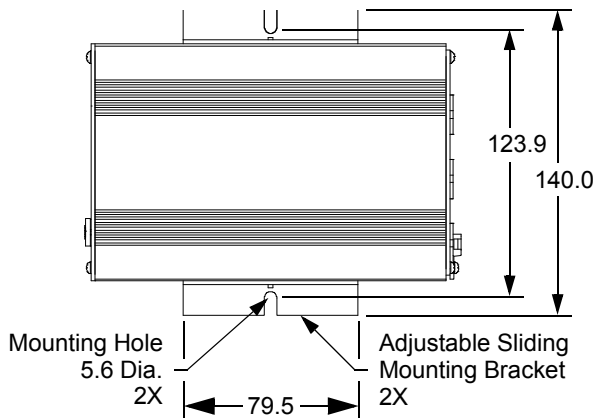


MagneMotion SYNC IT™ Controller

Catalog Number: 700-1566-00



- Provides high-speed communication between the Host Controller and specific motors for direct control of vehicles by the Host Controller.
- Supports up to three sync motors with a maximum of 20 vehicles.
 - MagneMover® LITE – Maximum of 10 62 mm vehicles on a 1 meter motor.
 - QuickStick® – Maximum of 5 150 mm vehicles on a 1 meter motor.
- IP30 (IEC 60529) ingress protection rating.

Physical Specifications

Dimensions*: 108.5 W x 44.5 H x 170.8 D

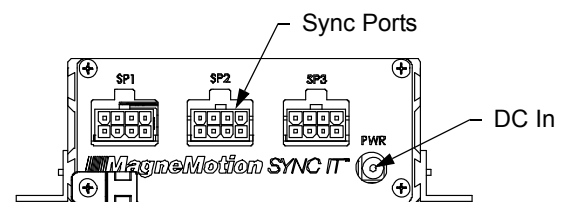
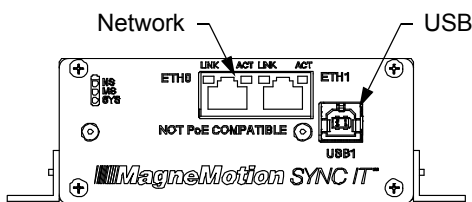
Weight: 0.4 kg [0.9 lb]

* All dimensions are millimeters. Contact MagneMotion for detailed drawings.

Environmental Specifications

Ambient Temperature: 0 °C to 50 °C

Relative Humidity: 85% max (relative, noncondensing)



Electrical Specifications

Power Rating, Max†: 18–42V DC, 5 W (Power Jack, 2.1 mm Coax, Male).
(MM LITE – Power supplied by motor, QS – Remote power supply required)

Network: Standard 10/100 BaseTx, full-duplex, Ethernet (RJ45, Female).

USB: For setting the IP address and performing software upgrades (USB, Type B, Female)

Sync Ports: For connection to motors (Mini-Fit, Male)

† Based on operating mode.

Rockwell Automation Support

Use the following resources to access support information.

Technical Support Center	Knowledgebase Articles, How-to Videos, FAQs, Chat, User Forums, and Product Notification Updates.	https://rockwellautomation.custhelp.com/
Local Technical Support Phone Numbers	Locate the phone number for your country.	http://www.rockwellautomation.com/global/support/get-support-now.page
Direct Dial Codes	Find the Direct Dial Code for your product. Use the code to route your call directly to a technical support engineer.	http://www.rockwellautomation.com/global/support/direct-dial.page
Literature Library	Installation Instructions, Manuals, Brochures, and Technical Data.	http://www.rockwellautomation.com/global/literature-library/overview.page
Product Compatibility and Download Center (PCDC)	Get help determining how products interact, check features and capabilities, and find associated firmware.	http://www.rockwellautomation.com/global/support/pcdc.page

Documentation Feedback

Your comments will help us serve your documentation needs better. If you have any suggestions on how to improve this document, complete the How Are We Doing? form at http://literature.rockwellautomation.com/idc/groups/literature/documents/du/ra-du002_-en-e.pdf.

Rockwell Automation maintains current product environmental information on its website at <http://www.rockwellautomation.com/rockwellautomation/about-us/sustainability-ethics/product-environmental-compliance.page>.

Product certificates are located in the Rockwell Automation Literature Library: <http://www.rockwellautomation.com/global/literature-library/overview.page>

Allen-Bradley, Rockwell Software, and Rockwell Automation are trademarks of Rockwell Automation, Inc.

Trademarks not belonging to Rockwell Automation are property of their respective companies.

Rockwell Otomasyon Ticaret A.Ş., Kar Plaza İş Merkezi E Blok Kat:6 34752 İçerenköy, İstanbul, Tel: +90 (216) 5698400

www.rockwellautomation.com

Power, Control and Information Solutions Headquarters

Americas: Rockwell Automation, 1201 South Second Street, Milwaukee, WI 53204-2496 USA, Tel: (1) 414.382.2000, Fax: (1) 414.382.4444

Europe/Middle East/Africa: Rockwell Automation NV, Pegasus Park, De Kleetlaan 12a, 1831 Diegem, Belgium, Tel: (32) 2 663 0600, Fax: (32) 2 663 0640

Asia Pacific: Rockwell Automation, Level 14, Core F, Cyberport 3, 100 Cyberport Road, Hong Kong, Tel: (852) 2887 4788, Fax: (852) 2508 1846

Copyright © 2012–2019 MagneMotion, A Rockwell Automation Company. All Rights Reserved.

139 Barnum Road, Devens, MA 01434, USA

+1 978-757-9100

Publication MMI-TD005D-EN-P - June 2019

Supersedes MMI-990000430 Rev. 04

DIR 990000430

www.rockwellautomation.com