



# NEMA Bulletin 300 Line Enclosed Contactor and Starter Specifications

Bulletins 300, 302, 303, 305, 306, 307, 309, 312, 313, 1232T, and 1233T

Topic	Page
Summary of Changes	2
Catalog Number Explanation	3
Non-combination Contactors and Starters	3
Combination Contactors and Starters	4
Pump Control Panels	6
Specifications	7
Mechanical Ratings	7
Construction	8
Short-circuit Rating—300 Line Combination Contactors and Starters: Bulletin 300, 302, 303, 305, 306, 307, 309, 312, 313, 1232T, 1233T	9
AC Coil Data	9
Auxiliary Contacts (NEMA A600) AC Ratings – Bulletin 100-ES, 100-F, 100-S	9
Approximate Dimensions	10
Bulletins 300, 305, and 309 Contactors and Starters, 3-Pole— Type 1 General-purpose Lift-off Enclosure	10
Bulletins 300, 305, and 309 Contactors and Starters, 3-Pole—Type 1 Hinged Enclosure – with or without Control Transformer	10
Bulletins 300, 305, 309, 302, 303, 306, 307, 312, and 313 Contactors and Starters—Type 1 General-purpose Painted Enclosure	11
Bulletins 300, 305, and 309 Contactors and Starters, 3-Pole—Type 3R/12 Rainproof, Dusttight, 4/4X Watertight, Metallic Enclosure – with or without Control Transformer	11
Bulletins 300, 305, 309, 302, 303, 306, 307, 312, and 313 Contactors and Starters—Type 3R/4/12 Rainproof, Dusttight – Industrial Use Enclosures	12
Bulletins 1232T and 1233T Pump Panels—Type 3R (Enclosure Code “N”) Rainproof Enclosures	12

---

# Summary of Changes

This publication contains the following new or updated information. This list includes substantive updates only and is not intended to reflect all changes.

Topic	Pages
Added metal handle option.	<a href="#">7</a>
Updated approximate dimension drawings and tables.	<a href="#">10</a> and <a href="#">11</a>

# Catalog Number Explanation

Examples that are given in this section are not intended to be used for product selection. Not all combinations produce a valid catalog number. Use ProposalWorks™ software to help you configure your enclosed contactor or starter. ProposalWorks software is available from [rok.auto/systemtools](http://rok.auto/systemtools).

## Non-combination Contactors and Starters

300
-
A
-
F
-
D
-
A2C
-
1

a
b
c
d
e
f

a	
Bulletin Number	
Code	Description
300	Non-combination contactor
305	Non-combination reversing starter
309	Non-combination starter

b	
NEMA Size	
Code	Description
A	NEMA size 0
B	NEMA size 1
C	NEMA size 2
D	NEMA size 3
E	NEMA size 4
F	NEMA size 5
G	NEMA size 6
H	NEMA size 7
J	NEMA size 8

c	
Enclosure Type	
Code	Description
A	Type 1
F	Type 3R/4/12
C	Type 4/4X stainless steel

d	
Line Voltage/Control Voltage	
Code	Description
D	120V AC, 60 Hz Separate control (non-combo)
H	208V AC, 50/60 Hz Common/transformer control
A	240V AC, 50/60 Hz Common/transformer control
B	480V AC, 50/60 Hz Common/transformer control
C	600V AC, 50/60 Hz Common/transformer control
HD	208V AC/120V 50/60 Hz Separate control
AD	240V AC/120V, 50/60 Hz Separate control
BD	480V AC/120V, 50/60 Hz Separate control
CD	600V AC/120V, 50/60 Hz Separate control (except sizes 4...6)
HJ	208V AC/24V, 50/60 Hz Separate control and/or transformer control
AJ	240V AC/24V, 50/60 Hz Separate control and/or transformer control
BJ	480V AC/24V, 50/60 Hz Separate control and/or transformer control
CJ	600V AC/24V, 50/60 Hz Separate control and/or transformer control

e	
Overload Relay	
Code	Description
XXX	Provision for field-installed overload relay
-A2C	E100 overload, 0.2...1.0 A
-A2E	E100 overload, 1.0...5.0 A
-A2F	E100 overload, 3.2...16 A
-A2G	E100 overload, 5.4...27 A
-A2J	E100 overload, 11...55 A
-A2L	E100 overload, 20...100 A
-A2M	E100 overload, 40...200 A
-A2N	E100 overload, 60...300 A
-A2R	E100 overload, 120...600 A
-EBV	E300™ overload, Voltage/current/ground fault sensing module, 4 IN/3 OUT
-EBI	E300 overload, current sensing module, 4 IN/3 OUT
-EBG	E300 overload, current/ground fault sensing module, 4 IN/3 OUT
-ENV	E300 overload, Voltage/current/ground fault sensing module, 2 IN/2 OUT
-ENI	E300 overload, current sensing module, 2 IN/2 OUT
-ENG	E300 overload, current/ground fault sensing module, 2 IN/2 OUT
-930	Three-pole contactor with N.O. aux contact (Bulletin 300 only)

f
Options—see <a href="#">page 4</a>

f			
Options (Note: Some options require a quote from Engineering. See ProposalWorks from <a href="http://rok.auto/systemtools">rok.auto/systemtools</a> for details.)			
Code	Description	Code	Description
-1	START/STOP push button (Bul. 300, 309)	-21	Separate control 1-pole fusing
	Forward-OFF-Reverse push button (Bul. 305 only)	-22	Separate control 2-pole fusing
-1E	ON/OFF push button	-412	Metal handle
-3	HAND-OFF-AUTO selector switch (Bul. 300, 309)	-415	Plug-in control relay, 1-pole
	FOR-OFF-REV selector switch (Bul. 305 only)	-416	Plug-in control relay, 2-pole
-3E	ON/OFF selector switch	-417	Plug-in timing relay, ON-Delay
-3H	HAND-AUTO selector switch	-418	Plug-in timing relay, OFF-Delay
-13	START/STOP and HAND-OFF-AUTO switch	-425	Hour meter
-4R	Red LED pilot light	-427	Lightning arrestor
-4G	Green LED pilot light	-428	Ammeter
-4RG	Red and green LED pilot lights	-429	Ground fault relay
-4GR	Red and green LED pilot lights	-430	Undervoltage relay
-4RA	Red and amber LED pilot lights	-6P	Standard control circuit transformer
-4GA	Green and amber LED pilot lights	-6XP	100 W extra-capacity control circuit transformer
-5R	Red LED push-to-test pilot light	-6XXP	200 W extra-capacity control circuit transformer
-5G	Green LED push-to-test pilot light	-TB6	6 Spring-clamp terminal blocks
-5RG	Red and green LED push-to-test pilot lights	-TB12	12 Spring-clamp terminal blocks
-5GR	Red and green LED push-to-test pilot lights	-900	2 N.O. auxiliary contacts on starter
-5RA	Red and amber LED push-to-test pilot lights	-901	N.O./N.C. auxiliary contact on starter
-5GA	Green and amber LED push-to-test pilot lights	-90011	2N.O./2N.C. auxiliary contacts on starter
-17	Surge suppressor on starter	-HNG	Hinged enclosure

## Combination Contactors and Starters

Examples that are given in this section are not intended to be used for product selection. Not all combinations produce a valid catalog number. Use ProposalWorks to help you configure your enclosed contactor or starter. ProposalWorks is available from [rok.auto/systemtools](http://rok.auto/systemtools).

302
-
A
A
D
-
A2C
-
J03
-
1

a
b
c
d
e
f
g

a	
Bulletin Number	
Code	Description
302	Fusible disconnect combination contactor
303	Circuit breaker combination contactor
306	Fusible disconnect combination contactor
307	Circuit breaker combination reversing starter
312	Fusible disconnect combination non-reversing starter
313	Circuit breaker combination non-reversing starter

b	
NEMA Size	
Code	Description
A	NEMA size 0
B	NEMA size 1
C	NEMA size 2
D	NEMA size 3
E	NEMA size 4
F	NEMA size 5
G	NEMA size 6
H	NEMA size 7
J	NEMA size 8

c	
Enclosure Type	
Code	Description
A	Type 1
F	Type 3R/4/12
C	Type 4/4X Stainless steel

d	
Line Voltage/Control Voltage	
Code	Description
D	120V AC, 60 Hz Separate control (non-combo)
H	208V AC, 50/60 Hz Common/transformer control
A	240V AC, 50/60 Hz Common/transformer control
B	480V AC, 50/60 Hz Common/transformer control
C	600V AC, 50/60 Hz Common/transformer control
HD	208V AC/120V, 50/60 Hz Separate control
AD	240V AC/120V, 50/60 Hz Separate control
BD	480V AC/120V, 50/60 Hz Separate control
CD	600V AC/120V, 50/60 Hz Separate control (except sizes 4...6)
HJ	208V AC/24V, 50/60 Hz Separate control and/or transformer control
AJ	240V AC/24V, 50/60 Hz Separate control and/or transformer control
BJ	480V AC/24V, 50/60 Hz Separate control and/or transformer control
CJ	600V AC/24V, 50/60 Hz Separate control and/or transformer control

e
Overload Relay—see <a href="#">page 5</a>

f
Fuse Clip/Circuit Breaker—see <a href="#">page 5</a>

g
Options—see <a href="#">page 5</a>

e	
Overload Relay	
Code	Description
-XXX	Provision for field-installed overload relay
-A2C	E100 overload, 0.2...1.0 A (Bulletin 306, 312 Only)
-A2E	E100 overload, 1.0...5.0 A
-A2F	E100 overload, 3.2...16 A
-A2G	E100 overload, 5.4...27 A
-A2J	E100 overload, 11...55 A
-A2L	E100 overload, 20...100 A
-A2M	E100 overload, 40...200 A
-A2N	E100 overload, 60...300 A
-A2R	E100 overload, 120...600 A
-EBV	E300™ overload, Voltage/current/ground fault sensing module, 4 IN/3 OUT
-EBI	E300 overload, current sensing module, 4 IN/3 OUT
-EBG	E300 overload, current/ground fault sensing module, 4 IN/3 OUT
-ENV	E300 overload, Voltage/current/ground fault sensing module, 2 IN/2 OUT
-ENI	E300 overload, current sensing module, 2 IN/2 OUT
-ENG	E300 overload, current/ground fault sensing module, 2 IN/2 OUT
-930	Three-pole contactor with N.O. aux contact (Bulletin 300 only)

f			
Fuse Clip/Circuit Breaker			
Code	Description	Code	Description
-J03	30 A Class J	-R40	400 A Class R
-J06	60 A Class J	-R60	600 A Class R
-J10	100 A Class J	-C15	15 A Circuit breaker
-J20	200 A Class J	-C30	30 A Circuit breaker
-J40	400 A Class J	-C50	50 A Circuit breaker
-J60	600 A Class J	-D10	100 A Circuit breaker
-L80	800 A Class L	-D12	125 A Circuit breaker
-L12	1200 A Class L	-D15	150 A Circuit breaker
-L16	1600 A Class L	-D30	300 A Circuit breaker
-R03	30 A Class R	-D40	400 A Circuit breaker
-R06	60 A Class R	-D60	600 A Circuit breaker
-R10	100 A Class R	-D80	800 A Circuit breaker
-R20	200 A Class R		

g			
Options (Note: Some options require a quote from Engineering. See ProposalWorks from <a href="http://rok.auto/systemtools">rok.auto/systemtools</a> for details.)			
Code	Description	Code	Description
-1	START/STOP push button (Bul 302, 303, 312, 313)	-900	2 N.O. auxiliary contacts on starter
	Forward-OFF-Reverse push button (Bul. 306, 307)	-901	N.O./N.C. auxiliary contacts on starter
-1E	ON/OFF push button	-900TI	2 N.O./2 N.C. auxiliary contacts on starter
-1L	Illuminated START/STOP push button	-98	N.O. auxiliary contact on disconnect or circuit breaker
-3	HAND-OFF-AUTO selector switch (Bul. 302, 303, 312, 313)	-99	N.C. auxiliary contact on disconnect or circuit breaker
	FOR-OFF-REV selector switch (Bul. 306, 307)	-989	N.O./N.C. auxiliary contact on disconnect or circuit breaker
-3E	ON/OFF selector switch	-415	Plug-in control relay (SPST)
-3H	HAND-AUTO selector switch	-416	Plug-in control relay (DPST)
-13	START/STOP and HAND-OFF-AUTO Quick Connect kit	-TB6	6 Spring-clamp terminal blocks
-4R	Red LED pilot light	-TB12	12 Spring-clamp terminal blocks
-4G	Green LED pilot light	-VH	External vault handle
-4RG	Red and green LED pilot lights	-17	Surge suppressor on starter
-4GR	Red and green LED pilot lights	-21	Separate control 1-pole fusing
-4RA	Red and amber LED pilot lights	-22	Separate control 2-pole fusing
-4GA	Green and amber LED pilot lights	-412	Metal handle
-5R	Red LED push-to-test pilot light	-417	Plug-in timing relay (ON-Delay)
-5G	Green LED push-to-test pilot light	-418	Plug-in timing relay (OFF-Delay)
-5RG	Red and green LED push-to-test pilot lights	-425	Hour meter
-5GR	Red and green LED push-to-test pilot lights	-427	Lightning arrestor
-5RA	Red and amber LED push-to-test pilot lights	-428	Ammeter
-5GA	Green and amber LED push-to-test pilot lights	-429	Ground fault relay
-6P	Standard control circuit transformer	-430	Undervoltage relay
-6XP	100 W extra-capacity control circuit transformer		
-6XXP	200 W extra-capacity control circuit transformer		

# Pump Control Panels

Examples that are given in this section are not intended to be used for product selection. Not all combinations produce a valid catalog number. Use ProposalWorks to help you configure your enclosed contactor or starter. ProposalWorks is available from [rok.auto/systemtools](http://rok.auto/systemtools).

1232T
-
B
N
H
-
A2C
-
J03
-
3

a
b
c
d
e
f
g

a	
Bulletin Number	
Code	Description
1232T	Fusible pump panel
1233T	Circuit breaker pump panel

b	
NEMA Size	
Code	Description
B	NEMA size 1
C	NEMA size 2
D	NEMA size 3
E	NEMA size 4
F	NEMA size 5
G	NEMA size 6
H	NEMA size 7
J	NEMA size 8

c	
Enclosure Type	
Code	Description
N	Type 3R

d	
Line Voltage/Control Voltage	
Code	Description
H	208V AC, 50/60 Hz Common/transformer control
A	240V AC, 50/60 Hz Common/transformer control
B	480V AC, 50/60 Hz Common/transformer control
C	600V AC, 50/60 Hz Common/transformer control
HD	208V AC/120V, 50/60 Hz Separate control
AD	240V AC/120V, 50/60 Hz Separate control
BD	480V AC/120V, 50/60 Hz Separate control
CD	600V AC/120V, 50/60 Hz Separate control (except sizes 4...6)

e	
Overload Relay	
Code	Description
-XXX	Provision for field-installed overload relay
-A1C	0.2...1.0 A, E100 overload, Trip Class 10 (Bul. 1232T only)
-A2C	0.2...1.0 A, E100 overload, Trip Class 20
-A1E	1.0...5.0 A, E100 overload, Trip Class 10
-A2E	1.0...5.0 A, E100 overload, Trip Class 20
-A1F	3.2...16 A, E100 overload, Trip Class 10
-A2F	3.2...16 A, E100 overload, Trip Class 20
-A1G	5.4...27 A, E100 overload, Trip Class 10
-A2G	5.4...27 A, E100 overload, Trip Class 20
-A1J	11...55 A, E100 overload, Trip Class 10
-A2J	11...55 A, E100 overload, Trip Class 20
-A1L	20...100 A, E100 overload, Trip Class 10
-A2L	20...100 A, E100 overload, Trip Class 20
-A1M	40...200 A, E100 overload, Trip Class 10
-A2M	40...200 A, E100 overload, Trip Class 20
-A1N	60...300 A, E100 overload, Trip Class 10
-A2N	60...300 A, E100 overload, Trip Class 20
-A1R	120...600 A, E100 overload, Trip Class 10
-A2R	120...600 A, E100 overload, Trip Class 20

f	
Fuse Clip/Circuit Breaker	
Code	Description
-J03	30 A Class J
-J06	60 A Class J
-J10	100 A Class J
-J20	200 A Class J
-J40	400 A Class J
-J60	600 A Class J
-L80	800 A Class L
-R03	30 A Class R
-R06	60 A Class R
-R10	100 A Class R
-R20	200 A Class R
-R40	400 A Class R
-R60	600 A Class R
-C15	15 A Circuit breaker
-C30	30 A Circuit breaker
-C50	50 A Circuit breaker
-D10	100 A Circuit breaker
-D12	125 A Circuit breaker
-D15	150 A Circuit breaker
-D30	300 A Circuit breaker
-D40	400 A Circuit breaker
-D60	600 A Circuit breaker
-D80	800 A Circuit breaker

g
Options—see <a href="#">page 7</a>

<b>g</b>	
<b>Options</b>	
<b>Code</b>	<b>Description</b>
—	START and HAND-OFF-AUTO (standard on pump panels)
-3	HAND-OFF-AUTO selector switch
-4G	Green LED pilot light
-4GR	Red and green LED pilot lights
-4R	Red LED pilot light
-4RG	Red and green LED pilot lights
-4I2	Metal handle
-6P	Standard control circuit transformer
-6XP	100 W extra-capacity control circuit transformer
-XL	Extra space enclosure
-900	2 N.O. Auxiliary contact on starter
-901	N.O/N.C. Auxiliary contact on starter
-90011	2 N.O/2 N.C. Auxiliary contact on starter
-HUB	Enclosure with hub at the top for top-entry wiring

## Specifications

**Table 1 - Mechanical Ratings**

<b>NEMA Size</b>	<b>Mechanical Life (Millions of Operations)</b>	<b>Maximum Number of Auxiliary Contacts</b>	<b>Operating Time [ms]</b>	
			<b>Pick-up (Average)</b>	<b>Drop-out (Average)</b>
0	13	8	15...30	10...60
1	13	8		
2	12	8		
3	10	8	20...40	
4	1.5	4	20...55	40...70
5	0.8	4	30...60	45...80
6	0.5	4	50...120	33...70

**Table 2 - Environmental Ratings**

<b>Bulletin</b>	<b>NEMA Size</b>	<b>Operating Position</b>	<b>Storage Range</b>	<b>Operating Range</b>	<b>Altitude</b>	<b>Humidity</b>
300	0	Vertical	-55...+80 °C (-67...+176 °F)	-25...+60 °C (-13...+140 °F)	2000 m	5...95% non-condensing
	1					
	2					
	3		-40...+70 °C (-40...+158 °F)			
	4					
	5					
6						
305, 309, 302, 303, 306, 307, 312, 313, 1232T, 1233T	0	Vertical	-40...+80 °C (-40...+176 °F)	+40 °C (104 °F)	2000 m	5...95% non-condensing
	1					
	2					
	3					
	4					
	5					
6						

Table 3 - Construction

Bulletin	NEMA Size	Wire size for Power terminals [AWG]		Required Torque [lb-in]	
		Line	Load	Line	Load
300	0	16...10	16...10	22	22
	1	14...4	14...4	25	25
	2	14...4	14...4	25	25
	3	14...1	14...1	40	40
	4	3...3/0	3...3/0	80	80
	5	4...400	4...400	325	375
	6	2/0...500	2/0...500	325	275
305, 309	0	16...10	14...6	22	22
	1	14...4	14...6	25	22
	2	14...4	14...6	25	22
	3	14...1	12...1	40	35
	4	3...3/0	3...3/0	80	80
	5	4...400	4...400	325	375
	6	2/0...500	2/0...500	325	275
302	0	#14...1/0	16...10	45	22
	1	#14...1/0	14...4	45	25
	2	#14...1/0	14...4	45	25
	3	#14...1/0	14...1	50	40
	4	#6...250MCM	3...3/0	275	80
	5	(2)#1/0...250MCM	4...400	325	375
	6	(2)#1/0...350MCM	2/0...500	325	275
312, 1232T	0	#14...1/0	14...6	45	22
	1	#14...1/0	14...6	45	22
	2	#14...1/0	14...6	45	22
	3	#14...1/0	12...1	50	35
	4	#6...250MCM	3...3/0	275	80
	5	(2)#1/0...250MCM	4...400	325	375
	6	(2)#1/0...350MCM	2/0...500	325	275
303	0	#14...1/0	16...10	62	22
	1	#14...1/0	14...4	62	25
	2	#14...1/0	14...4	62	25
	3	#14...1/0	14...1	62	40
	4	#10...350MCM <sup>(1)</sup>	3...3/0	124	80
	5	#250...500MCM	4...400	380	375
	6	(2)#250...500MCM	2/0...500	275	275
313, 1233T	0	#14...1/0	14...6	62	22
	1	#14...1/0	14...6	62	22
	2	#14...1/0	14...6	62	22
	3	#14...1/0	12...1	62	35
	4	#10...350MCM <sup>(1)</sup>	3...3/0	124	80
	5	#250...500MCM	4...400	380	375
	6	(2)#250...500MCM	2/0...500	275	275

(1) Wire range is for J-Frame. For G-Frame breakers, wire range is #14...1 AWG.



**Table 4 - Short-circuit Rating—300 Line Combination Contactors and Starters: Bulletin 300, 302, 303, 305, 306, 307, 309, 312, 313, 1232T, 1233T**

Bulletin 300, 302, 305, 306, 309, 312, 1232T (Fusible)					Bulletin 300, 303, 305, 307, 309, 313, 1233T (Circuit Breaker)			Bul 300, 305, 309 with 12 x 7 x 5 in. (305 x 178 x 127 mm) enclosure with lift-off cover							
NEMA Size	Fuse Type	Overload Code	Available Short Circuit Ampere RMS Symmetrical [A]		NEMA Size	Available Short Circuit Ampere RMS Symmetrical [A]		NEMA Size	Class J or R Fuses		Circuit Breaker				
			480V Max.	600V max.		480V Max.	600V max.		600V max.		480V Max.		600V max.		
0	H, J, R	ATC, A2C	—	100,000	0 <sup>(1)</sup>	65,000	25,000	0	30	5 kA	15	5 kA	15	5 kA	
1		All	—		1			35,000	1	30	5 kA	50	5 kA	15	5 kA
2			—		2				60	5 kA	50	5 kA	50	5 kA	
3			—		3				4	5	6				
4	H, R	All	65,000	4	10,000										
5				18,000											
6															
0...6	J	All	—	100,000											

(1) Except for starters that use 0.2...1.0 A, E100 overload relays.

**Table 5 - AC Coil Data**

NEMA Size	Operating Volt Amperes [VA]		Operating Times (AC)		Heat Dissipation [W]	Coil Operating Limits, 50/60 Hz, (x Voltage)	
	50/60 Hz		Closing Delay [ms]	Opening Delay [ms]		Pick up	Drop out
	Inrush	Sealed					
0	70	8	15...30	10...60	4.7	85...10%	30...60%
1	80	9			11.2		
2	130	10			11.5		
3	200	16	20...40	17.5			
4 <sup>(1)</sup>	130	6	20...55	40...70	33		
5 <sup>(1)</sup>	385	17.5	30...60	45...80	46.5		
6 <sup>(1)</sup>	955	12	50...120	33...70	68		

(1) Based on 100...250V AC coil type voltage. Different coil type may draw higher or lower inrush or sealed current.

**Table 6 - Auxiliary Contacts (NEMA A600) AC Ratings – Bulletin 100-ES, 100-F, 100-S**

Maximum AC Contact Rating Per Pole						
AC Rating Designation	Maximum Voltage 60 Hz or 50 Hz	[A]		Continuous Carrying Current [A]	[VA]	
		Make	Break		Make	Break
A600	120	60	6	10	7200	720
	240	30	3	10	7200	720
	480	15	1.5	10	7200	720
	600	12	1.2	10	7200	720

**Table 7 - Auxiliary Contacts (NEMA A600) DC Ratings – Bulletin 100-ES, 100-F, 100-S**

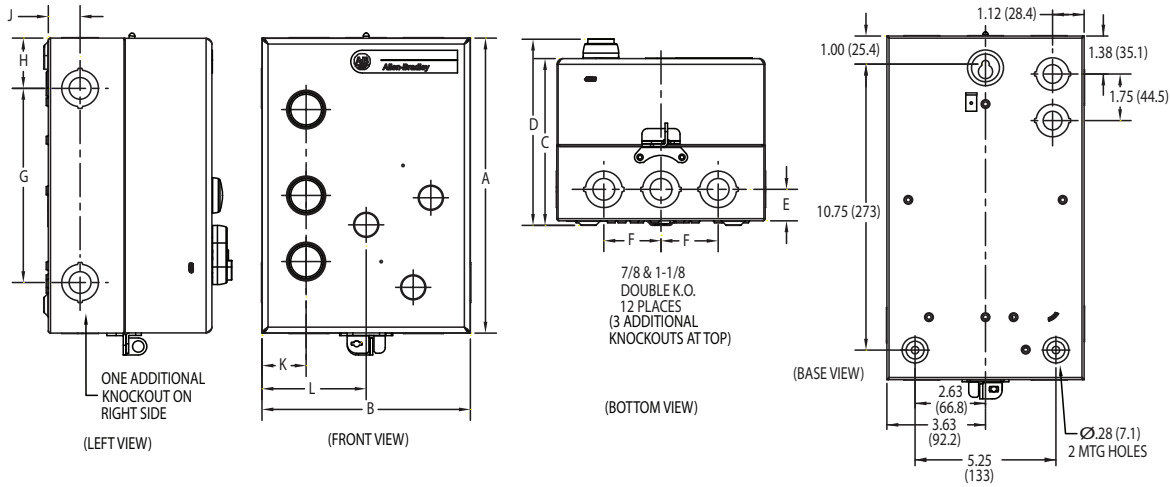
Auxiliary Contact <sup>(1)</sup>	DC Rating Designation	125V DC	250V DC	Maximum DC Contact Rating per Pole
100-ES1-11 100-ES2-11	P600	1.1 A	0.55 A	5 A
100-ES3-11 100-ES4-11	Q300	0.55 A	0.27 A	2.5 A
100-F... 100-S...	Q600	0.55 A	0.27 A	2.5 A

(1) See publications [100-TD013](#) and [300-TD003](#) for additional contactor and auxiliary contact specifications.

# Approximate Dimensions

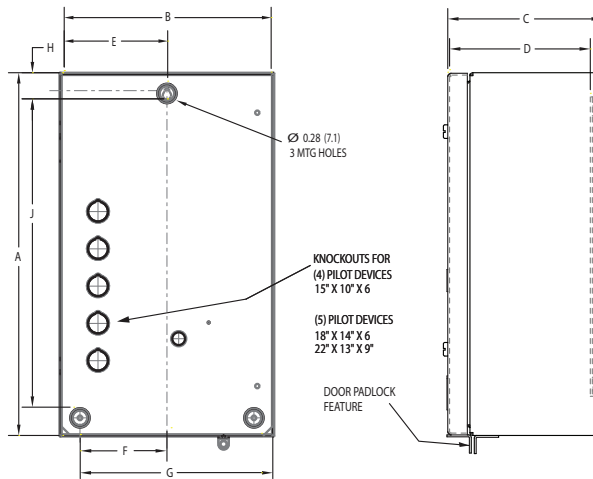
Approximate dimensions are shown in inches (millimeters). Dimensions are not intended for manufacturing purposes.

**Figure 1 - Bulletins 300, 305, and 309 Contactors and Starters, 3-Pole— Type 1 General-purpose Lift-off Enclosure**



NEMA Size/ Current Rating	Dimensions in Inches (Millimeters)										
	A Height	B Width	C Depth	D	E	F	G	H	J	K	L
0...2 (without control transformer)	12.81 (325)	7.25 (184)	5.51 (140)	6.06 (154)	1.22 (31)	2.38 (60)	8.88 (226)	1.94 (49)	1.22 (31)	1.46 (37)	3.63 (92)

**Figure 2 - Bulletins 300, 305, and 309 Contactors and Starters, 3-Pole—Type 1 Hinged Enclosure – with or without Control Transformer**

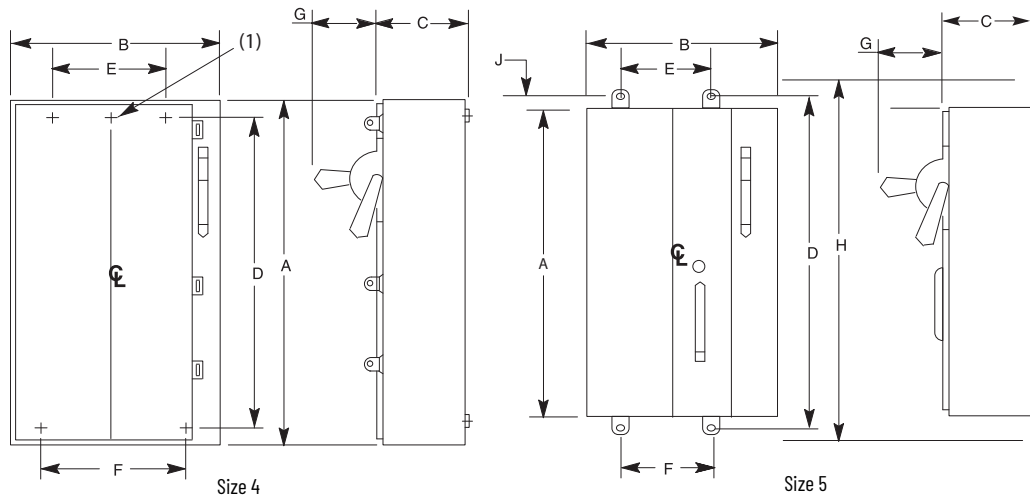


NEMA Size/ Current Rating	Bulletin No.	Dimensions in Inches (Millimeters)								
		A Height	B Width	C Depth	D	E Mounting	F Mounting	G Mounting	H	J (Mounting)
0...2	300, 309 with transformer	15.00 (381)	10.00 (254)	6.39 (162)	5.82 (148)	5.00 (127)	3.75 (95)	7.50 (191)	1.08 (27)	12.75 (324)
0...3	305	18.00 (457)	14.00 (356)	6.39 (162)	5.83 (148)	7.00 (178)	5.75 (146)	11.50 (292)	1.00 (25)	15.75 (400)
3	300, 309									
4	300, 305, 309	22.00 (559)	13.00 (330)	8.50 (216)	7.89 (201)	6.50 (165)	5.25 (133)	10.50 (267)	1.08 (27)	19.75 (502)



For Types 3R/12, 4/4X, 4X, and Bolted Type 7 & 9 and 3R, 7 & 9 dimensions, contact your local Rockwell Automation sales office or Allen-Bradley distributor.

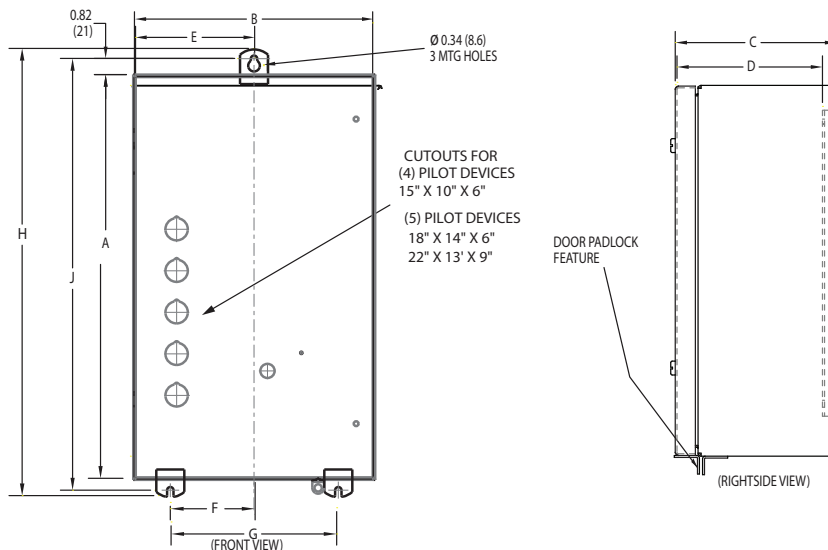
Figure 3 - Bulletins 300, 305, 309, 302, 303, 306, 307, 312, and 313 Contactors and Starters—Type 1 General-purpose Painted Enclosure



NEMA Size	Bulletin No.	Approximate Dimensions in Inches (Millimeters)							Approximate Shipping Weight [lb (kg)]
		A Height	B Width	C Depth	D Mounting	E Mounting	F Mounting	G Handle Depth	
0...2	302, 306, 312	27.50 (968)	10.50 (267)	8.25 (210)	25.13 (639)	(1)	5.25 (133)	5.56 (141)	40 (18.14)
0...3	303, 306, 313								
3	302, 306, 312 Class R	30 (762)	20.5 (521)	9.88 (251)	27.63 (702)	15.25 (387)	15.25 (387)	5.56 (141)	90 (40.82)
4	303, 307, 313								
4	302, 306, 312	50 (1270)	22 (559)	11.19 (284)	47.63 (1210)	15.25 (387)	15.25 (387)	5.56 (141)	250 (113.4)
5...6	300, 305, 309								
5...6	302, 303, 306, 307, 312, 313	56 (1422)	30.5 (775)	13.79 (350)	57.63 (1463)	20 (508)	25.25 (641)	7.62 (194)	360 (163.3)

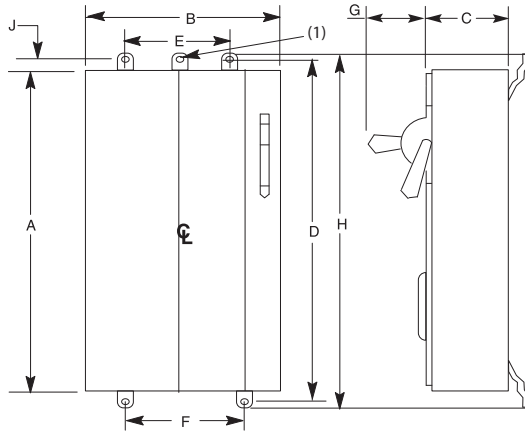
(1) Sizes 0, 1, and 2 have one top-mounting hole that is on the center line. Larger size enclosures have two top-mounting holes that are located as shown.

Figure 4 - Bulletins 300, 305, and 309 Contactors and Starters, 3-Pole—Type 3R/12 Rainproof, Dusttight, 4/4X Watertight, Metallic Enclosure – with or without Control Transformer



NEMA Size/ Current Rating	Bulletin No.	Approximate Dimensions in Inches (Millimeters)								
		A Height	B Width	C Depth	D	E Mounting	F Mounting	G Mounting	H	J Mounting
0...2	300 and 309 with transformer	15.00 (381)	10.00 (254)	6.45 (164)	5.82 (148)	5.00 (127)	3.00 (76)	6.00 (152)	17.23 (438)	16.38 (416)
0...3	305	18.00 (457)	14.00 (356)	6.45 (164)	5.83 (148)	7.00 (178)	5.00 (127)	10.00 (254)	20.23 (514)	19.38 (492)
3	300, 309									
4	300, 305, 309	22.00 (559)	13.00 (330)	8.57 (218)	7.89 (201)	6.50 (165)	4.43 (113)	9.00 (229)	24.23 (615)	23.38 (594)

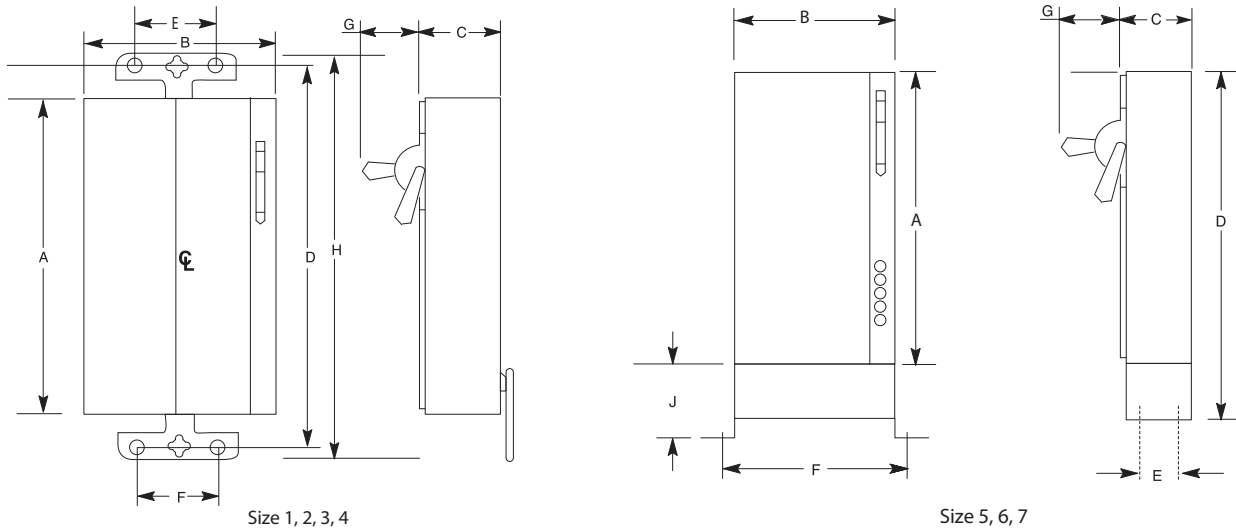
Figure 5 - Bulletins 300, 305, 309, 302, 303, 306, 307, 312, and 313 Contactors and Starters—Type 3R/4/12 Rainproof, Dusttight – Industrial Use Enclosures



NEMA Size	Bulletin No.	Approximate Dimensions in Inches (Millimeters)								Approximate Shipping Weight [lb (kg)]	
		A Height	B Width	C Depth	D Mounting	E Mounting	F Mounting	G Handle Depth	H		J
0...2	302, 306, 312	27.50 (698)	10.50 (267)	8.25 (210)	28.88 (733)	(1)	5.25 (133)	5.56 (141)	29.88 (759)	0.81 (21)	40 (18.14)
0...3	303, 306, 313										
3	302, 306, 312 Class R	30 (762)	20.5 (521)	10.19 (259)	31.38 (797.05)	15.25 (387)	15.25 (387)	5.56 (141)	32.38 (822)	0.81 (21)	90 (40.82)
4	303, 307, 313										
4	302, 306, 312	50 (1270)	22 (559)	11.5 (292)	51.38 (1305)	15.25 (387)	15.25 (387)	5.56 (141)	52.38 (1330)	0.71 (18)	250 (113.4)
5...6	300, 305, 309										
5...6	302, 303, 306, 307, 312, 313	56 (1422)	30.5 (775)	13.79 (350)	57.63 (313)	20 (508)	25.25 (641)	7.62 (194)	62.62 (1590)	1 (25.4)	360 (163.3)

- (1) Sizes 0, 1, and 2 have one top-mounting hole that is on the center line. All sizes in large enclosures have two top-mounting holes that are located as shown.
- (2) Fusible disconnect switch with Class J fuses.
- (3) Fusible disconnect switch with Class R fuses.

Figure 6 - Bulletins 1232T and 1233T Pump Panels—Type 3R (Enclosure Code “N”) Rainproof Enclosures



Bulletin No.	Size	Approximate Dimensions in Inches (Millimeters)								Approximate Shipping Weight [lb (kg)]	
		A Height	B Width	C Depth	D Mounting	E Mounting	F Mounting	G Handle Depth	H		J
1232T	1...2	27.50 (698)	10.5 (267)	8.26 (210)	28.88 (733)	(1)	7 (178)	5.56 (141)	29.75 (756)	—	40 (18.14)
1233T	1...3										
1232T	3	30 (762)	20.5 (521)	8.72 (221)	34.88 (886)	10 (254)	10 (254)	5.56 (141)	36.38 (924)	—	90 (40.82)
1233T	4										
1232T	4	50 (1270)	22 (559)	9.90 (251)	54.88 (1394)	15.25 (387)	15.25 (387)	5.56 (141)	56.38 (1432)	—	250 (113.4)
1232T, 1233T	5...6	56 (1422)	30.5 (775)	13.78 (350)	65.68 (1668)	11 (279)	33.84 (860)	7.62 (194)	—	9.68 (246)	360 (163.3)

- (1) Sizes 1 and 2 have one top-mounting hole that is on the center line. All sized in large enclosures have two top mounting holes that are located as shown.

## Additional Resources

These documents contain additional information concerning related products from Rockwell Automation.

Resource	Description
NEMA Space Saving Contactors and Starters Specifications, publication <a href="#">300-TD003</a>	Provides product selection and specifications for Bul. 300, 300S, 305, and 309 contactors.
IEC Contactor Specifications, publication <a href="#">100-TD013</a>	Provides product selection and specifications for Bul. 100 IEC contactors.
Pump Panel Specifications, publication <a href="#">1232-TD001</a>	Provides specifications for Bulletin 1232 and 1233 pump panels.
Industrial Components Preventive Maintenance, Enclosures, and Contact Ratings Specifications, publication <a href="#">IC-TD002</a>	Provides a quick reference tool for Allen-Bradley® industrial automation controls and assemblies.
Safety Guidelines for the Application, Installation, and Maintenance of Solid-state Control, publication <a href="#">SGI-1.1</a>	Designed to harmonize with NEMA Standards Publication No. ICS 1.1-1987 and provides general guidelines for the application, installation, and maintenance of solid-state control in the form of individual devices or packaged assemblies incorporating solid-state components.
Industrial Automation Wiring and Grounding Guidelines, publication <a href="#">1770-4.1</a>	Provides general guidelines for installing a Rockwell Automation industrial system.
Product Certifications website, <a href="http://rok.auto/certifications">rok.auto/certifications</a> .	Provides declarations of conformity, certificates, and other certification details.

You can view or download publications at [rok.auto/literature](http://rok.auto/literature).

# Rockwell Automation Support

Use these resources to access support information.

<b>Technical Support Center</b>	Find help with how-to videos, FAQs, chat, user forums, and product notification updates.	<a href="http://rok.auto/support">rok.auto/support</a>
<b>Knowledgebase</b>	Access Knowledgebase articles.	<a href="http://rok.auto/knowledgebase">rok.auto/knowledgebase</a>
<b>Local Technical Support Phone Numbers</b>	Locate the telephone number for your country.	<a href="http://rok.auto/phonesupport">rok.auto/phonesupport</a>
<b>Literature Library</b>	Find installation instructions, manuals, brochures, and technical data publications.	<a href="http://rok.auto/literature">rok.auto/literature</a>
<b>Product Compatibility and Download Center (PCDC)</b>	Download firmware, associated files (such as AOP, EDS, and DTM), and access product release notes.	<a href="http://rok.auto/pcdc">rok.auto/pcdc</a>

## Documentation Feedback

Your comments help us serve your documentation needs better. If you have any suggestions on how to improve our content, complete the form at [rok.auto/docfeedback](http://rok.auto/docfeedback).





Allen-Bradley, E1 Plus, E100, E300, expanding human possibility, FactoryTalk, ProposalWorks, and Rockwell Automation are trademarks of Rockwell Automation, Inc.

EtherNet/IP is a trademark of ODVA, Inc.

Trademarks not belonging to Rockwell Automation are property of their respective companies.

Rockwell Automation maintains current product environmental compliance information on its website at [rok.auto/pec](http://rok.auto/pec).

Rockwell Otomasyon Ticaret A.Ş. Kar Plaza İş Merkezi E Blok Kat:6 34752, İçerenköy, İstanbul, Tel: +90 (216) 5698400 EEE Yönetmeliğine Uygundur

Connect with us.    

**rockwellautomation.com** ————— expanding **human possibility**<sup>™</sup>

AMERICAS: Rockwell Automation, 1201 South Second Street, Milwaukee, WI 53204-2496 USA, Tel: (1) 414.382.2000, Fax: (1) 414.382.4444

EUROPE/MIDDLE EAST/AFRICA: Rockwell Automation NV, Pegasus Park, De Kleetlaan 12a, 1831 Diegem, Belgium, Tel: (32) 2 663 0600, Fax: (32) 2 663 0640

ASIA PACIFIC: Rockwell Automation, Level 14, Core F, Cyberport 3, 100 Cyberport Road, Hong Kong, Tel: (852) 2887 4788, Fax: (852) 2508 1846