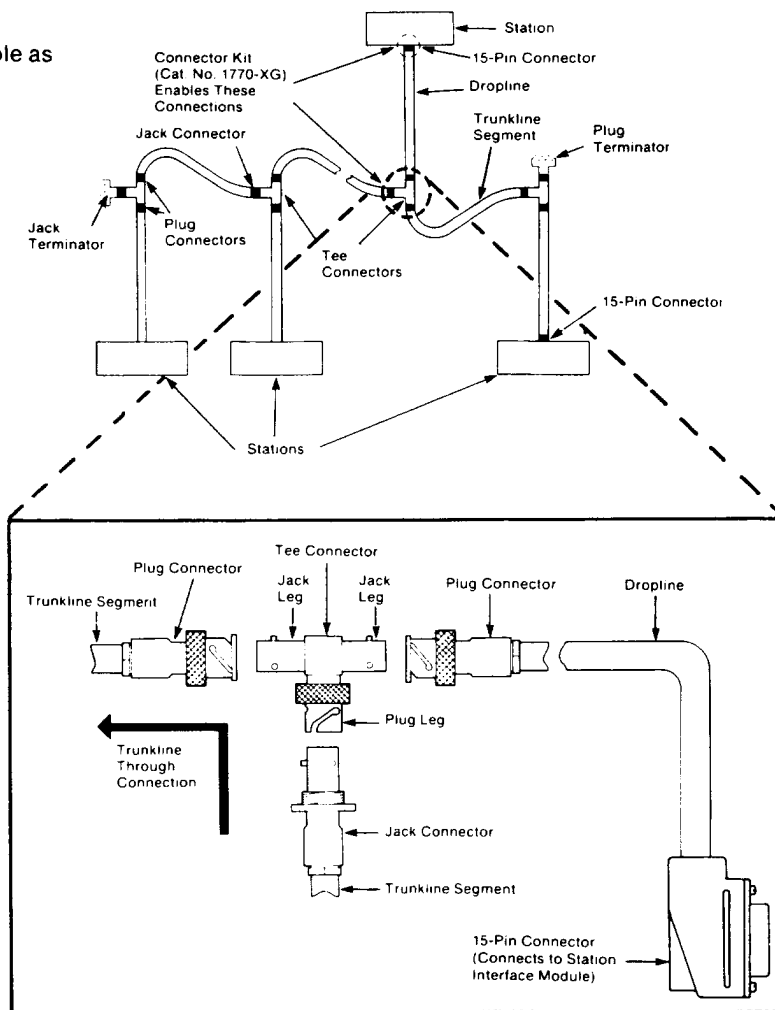




Allen-Bradley Data Highway Connector Kit (Cat. No. 1770-XG)

NOTE: Plug and jack terminators are available as cat. no. 1770-XF. (One pair per package.)



10803

Data Highway Connections

This data sheet describes the installation of data highway cable and connectors. For more details on this subject, refer to the Data Highway Cable Assembly and Installation Manual (publication 1770-6.2.1, formerly 1770-810), which is available through Allen-Bradley Company.

The Allen-Bradley Data Highway is a network of programmable controllers and computers linked together to form a data communication system for industrial control applications. The cable that connects the individual data highway stations consists of two major components – central trunkline and station droplines. The trunkline may be a maximum of 10,000 feet long, and each dropline may be a maximum of 100 feet long.

The Data Highway trunkline must be terminated at both ends with 150Ω resistors. You can do this by using the 1770-XF Termination Kit, which includes a plug terminator and a jack terminator. These items are not included in the 1770-XG Connector Kit.

Each connector kit contains enough parts for one dropline and one trunkline section. You should order one 1770-XG Connector Kit for each station on the Data Highway. You should also order one 1770-XF Termination Kit for each complete Data Highway.

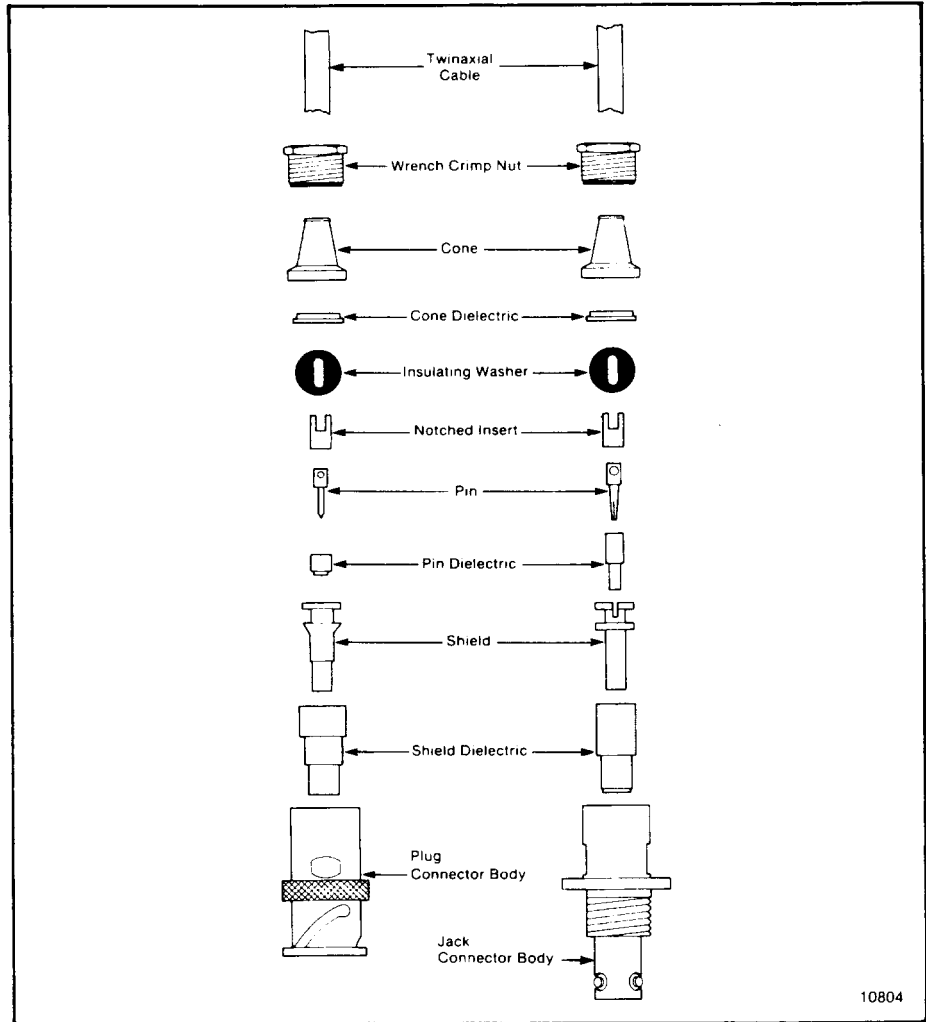
As an alternative to the 1770-XG and 1770-XF kits, you may use the 1770-SC Station Connector, which is described in publication 1770-953.

Item	Allen-Bradley Cat. No.	Parts	Manufacturer	Manufacturer Part Number
Twinaxial Cable	1770-CD	trunkline and dropline cable	① Belden	9463
Connector Kit	1770-XG	tee connector jack connector plug connector 15-pin connector and right-angle hood	② Trompeter ② Trompeter ② ① Trompeter ③ ① Cannon	BN 73 BJ79-9 PL75-9 DA-15S and DA-51211-1
Terminator	1770-XF	jack terminator plug terminator	② Trompeter ② Trompeter	3005-0404-1-1 50 TNGI-1 -150

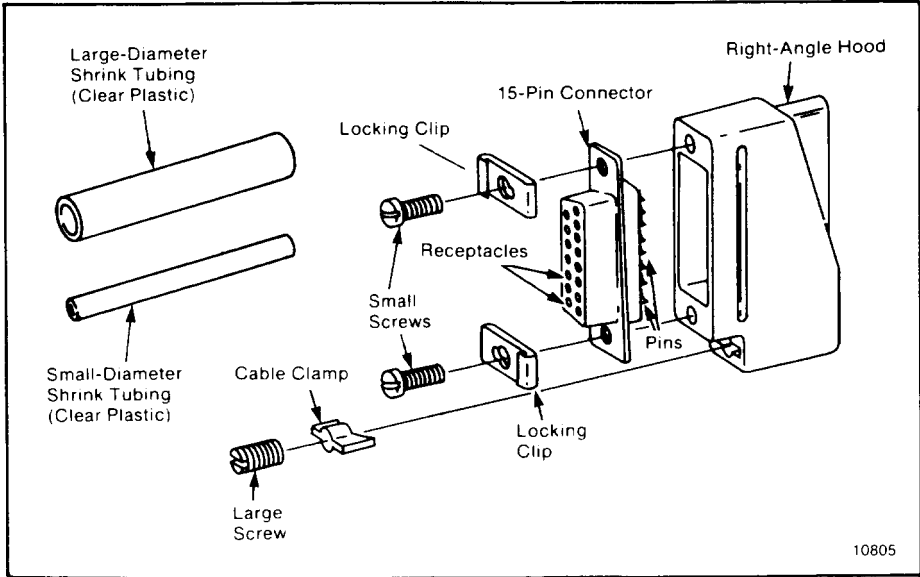
①
Belden Corporation
P.O. Box 1331
Richmond, Indiana 47374

②
Trompeter Electronics, Inc.
8936 Comanche Avenue
Chatsworth, California
91311

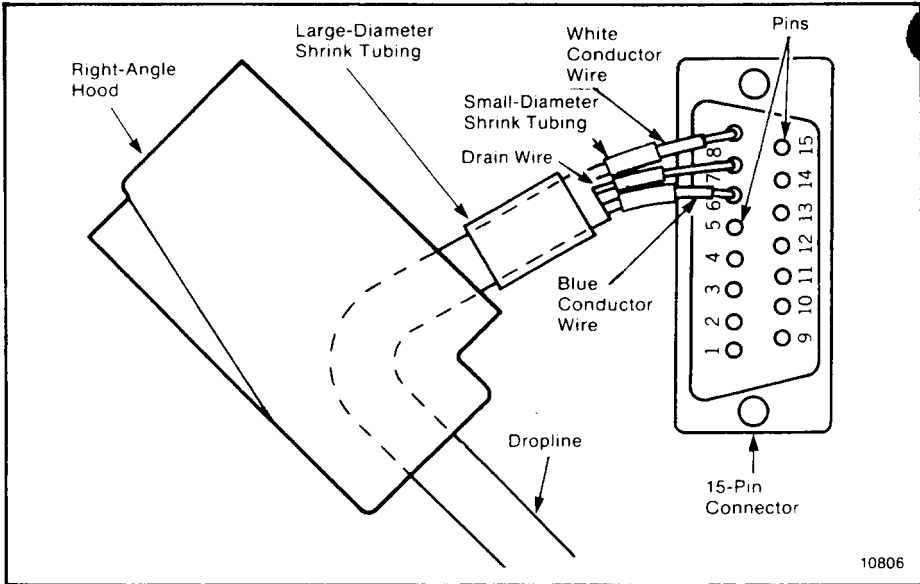
③
ITT Cannon Electric
A Div. of International Telephone
and Telegraph Corporation
666 East Dyer Road
Santa Ana, California 92702



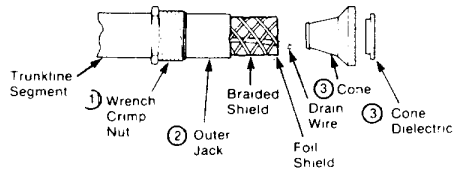
Jack and Plug Connector Components



15-Pin Connector Components

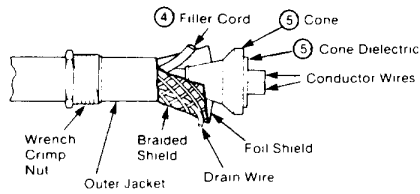


Assembly of Station Connector



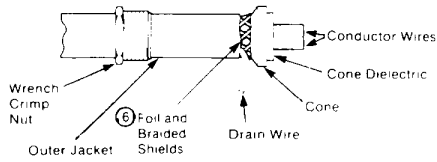
A. Cutting Outer Jacket

- 1 - Install Wrench Crimp Nut
- 2 - Strip Off Outer Jacket
- 3 - Assemble Cone and Cone Dielectric



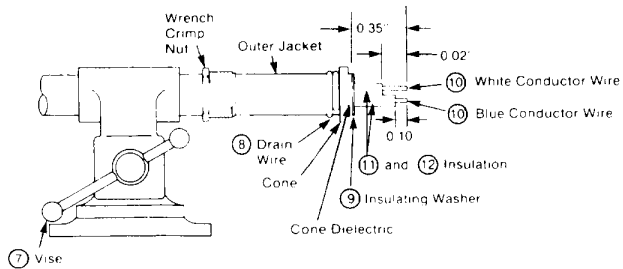
B. Installing Cone Assembly

- 4 - Cut Out Filler Cords
- 5 - Install Cone Assembly



C. Cutting Foil and Braided Shields

- 6 - Cut Foil and Braided Shields Flush with Cone (Do Not Cut Drain Wire)

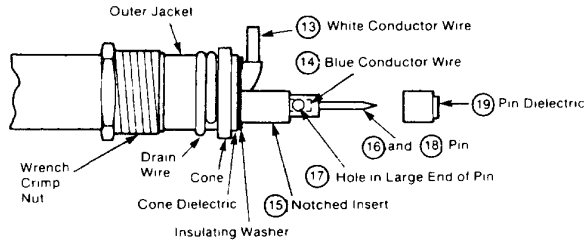


D. Preparing Conductor Wires

- 7 - Place Trunkline Segment in Vise
- 8 - Wrap Drain Wire around Cone
- 9 - Install Insulating Washer
- 10 - Cut Conductor Wires to Length
- 11 and 12 - Strip Off Insulation

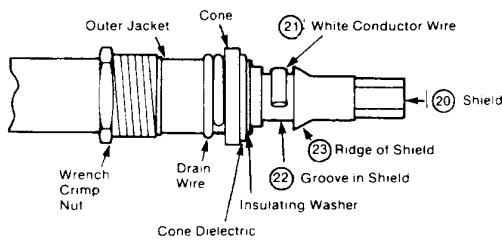
10807

Assembly of Trunkline Connectors



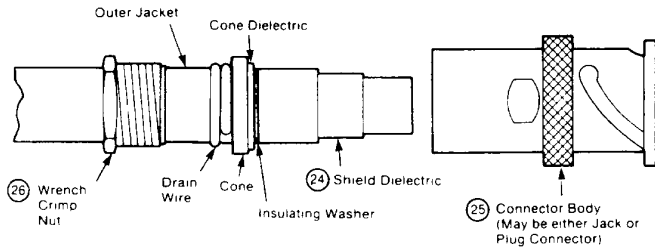
E. Soldering Blue Conductor Wire

- ⑬ — Bend White Conductor Wire 90° Angle
- ⑭ — Tin Blue Conductor Wire
- ⑮ — Install Notched Insert
- ⑯ — Install Pin
- ⑰ — Solder Pin to Blue Conductor Wire
- ⑱ — Remove Excess Solder
- ⑲ — Install Pin Dielectric



F. Soldering White Conductor Wire

- ⑳ — Install Shield
- ㉑ — Wrap White Conductor Wire around Shield
- ㉒ — Solder White Conductor Wire to Shield
- ㉓ — Remove Excess Solder



G. Assembling Connector Body

- ㉔ — Install Shield Dielectric
- ㉕ — Install Connector Body
- ㉖ — Tighten Wrench Crimp Nut

10807

Assembly of Trunkline Connectors (cont.)



ALLEN-BRADLEY
A ROCKWELL INTERNATIONAL COMPANY

As a subsidiary of Rockwell International, one of the world's largest technology companies — Allen-Bradley meets today's challenges of industrial automation with over 85 years of practical plant-floor experience. More than 11,000 employees throughout the world design, manufacture and apply a wide range of control and automation products and supporting services to help our customers continuously improve quality, productivity and time to market. These products and services not only control individual machines but integrate the manufacturing process, while providing access to vital plant floor data that can be used to support decision-making throughout the enterprise.

With offices in major cities worldwide

**WORLD
HEADQUARTERS**

Allen-Bradley
1201 South Second Street
Milwaukee, WI 53204 USA
Tel: (1) 414 382-2000
Telex: 43 11 016
FAX: (1) 414 382-4444

**EUROPE/MIDDLE
EAST/AFRICA
HEADQUARTERS**

Allen-Bradley Europe B.V.
Amsterdamseweg 15
1422 AC Uithoorn
The Netherlands
Tel: (31) 2975/43500
Telex: (844) 18042
FAX: (31) 2975/60222

**ASIA/PACIFIC
HEADQUARTERS**

Allen-Bradley (Hong Kong)
Limited
Room 1006, Block B, Sea
View Estate
28 Watson Road
Hong Kong
Tel: (852) 887-4788
Telex: (780) 64347
FAX: (852) 510-9436

**CANADA
HEADQUARTERS**

Allen-Bradley Canada
Limited
135 Dundas Street
Cambridge, Ontario N1R
5X1
Canada
Tel: (1) 519 623-1810
FAX: (1) 519 623-8930

**LATIN AMERICA
HEADQUARTERS**

Allen-Bradley
1201 South Second Street
Milwaukee, WI 53204 USA
Tel: (1) 414 382-2000
Telex: 43 11 016
FAX: (1) 414 382-2400