

6300PA Series

The evolution of on-machine fanless
IPCs with configurable button area



FT Optix™ **OPTIONAL**

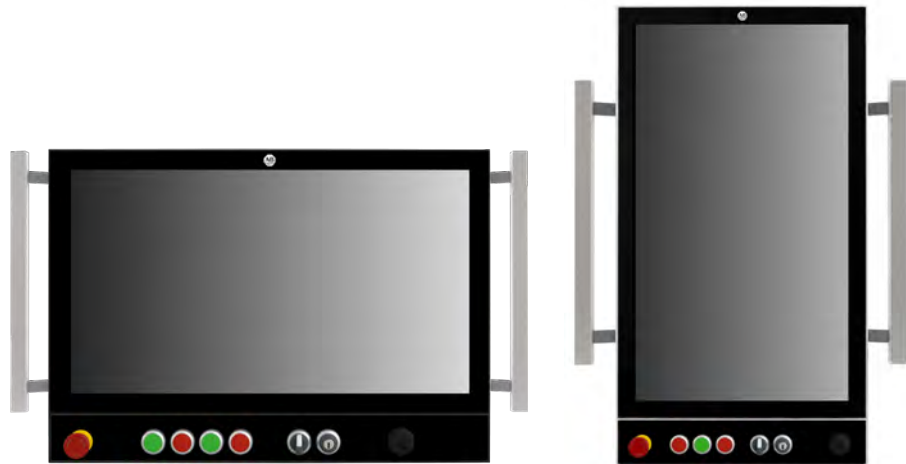
RVL  **OPTIONAL**

- VESA 75/100 mounting
- Available in landscape and portrait version
- Powder coated die-cast aluminum chassis with anti-scratch treatment
- 15.6", 18.5", 21.5" and 24" TFT LCDs in wide aspect ratio for landscape version with or without button area
- 21.5" and 24" TFT LCDs in wide aspect ratio for portrait version with button area
- Full HD resolution
- Front panels with minimized aluminum frame and glass multitouch projected capacitive touchscreen
- Full IP65 ingress protection
- Available with configurable Button Area for the installation of Ø22 hard-wired elements
- Dual core Celeron®, i3 and i5 Intel® Core™ of 7th generation 15W Intel® Kaby Lake ULT platform
- Available with RVL technology for long distance connection of the DVI-D and USB 2.0 signals up to 100m (optional)
- Compatible with FactoryTalk® Optix™ software for HMI and Edge Computing applications and FactoryTalk Remote Access for remote support

Optional accessories

Side handles

All configurations have two anodized aluminum side handles pre-installed to facilitate the system's positioning. They can be replaced in the field with perimeter handles. Spare side handles are available should replacement be necessary.



Perimeter handle

An optional anodized aluminum perimeter handle is available to facilitate the system's positioning and to protect the operator from accidental impacts.



Keyboard holder kit

A optional keyboard holder kit is available in aluminum painted RAL 9006 for the permanent installation of a keyboard and/or mouse at customer's choice. Keyboard holder cannot be installed with perimeter handle.



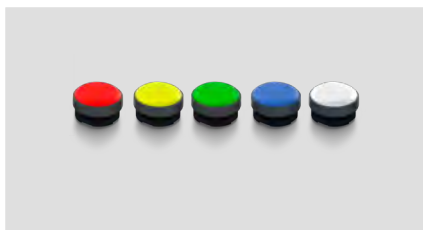
Button area

Highlights

- Customers can choose any of five pre-configured button areas, and if desired, install additional elements
- Frontally accessible for subsequent configuration changes and/or additions
- Hard-wired connection mode
- The number of elements that can be installed depends on the size of the display: up to 13 elements can be installed in the landscape version and up to 8 elements can be installed in the portrait version with 24" LCD (of which maximum 8 with hard-wired connection)
- The SIL3 E-stop push button has a separate hard-wired connection
- Elements wiring is brought to two terminal blocks, accessible from the rear



IP65 Ø22 elements



LED indicators

- Available in 5 colors (red, yellow, green, blue, white)



Push buttons

- Opaque version available in 2 colors (gray and black)
- Translucent version available in 5 colors (red, yellow, green, blue, white)
- Also with customizable insert



Emergency stop push button SIL3

- With rotating or pulling unlock movement, with or without LED



Rotary selectors switches

- With key
- Keyless LED illuminated
- With 1 (90°) or 2 (±40°, ±60°) positions (momentary or latching)



Additional interfaces

- Gigabit Ethernet (RJ45)
- Transponder RFID reader/writer LF (125 kHz) and HF (13,56 MHz)
- USB 2.0 (Type-A)
- Knob with incremental encoder
- Buzzer

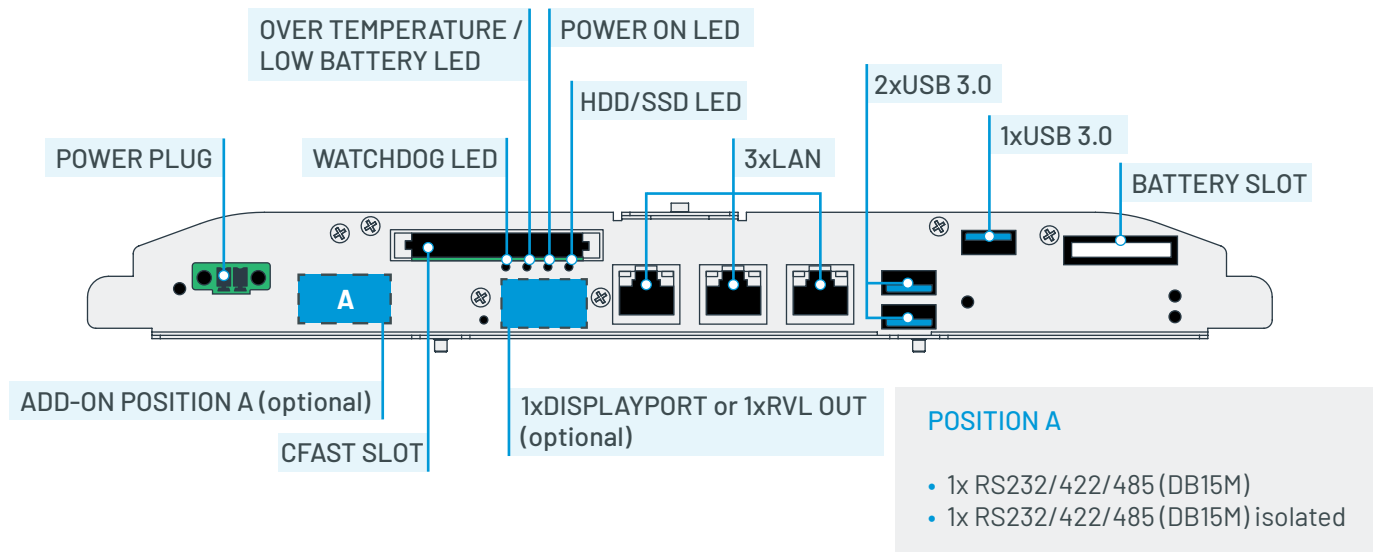


Elements for management of ATX mode

- Opaque version
- Translucent version
- With key

All accessories are optional and can be purchased and substituted, or added in the field. Catalog numbers with "PU" are dedicated for USB elements, including Ethernet, RFID, USB, encoder and buzzer, and those with "PC" are dedicated for pushbuttons, LED indicators and selector elements.

I/O shield and add-on boards



Versions



ASEM 6300PA-xxxAxxxF



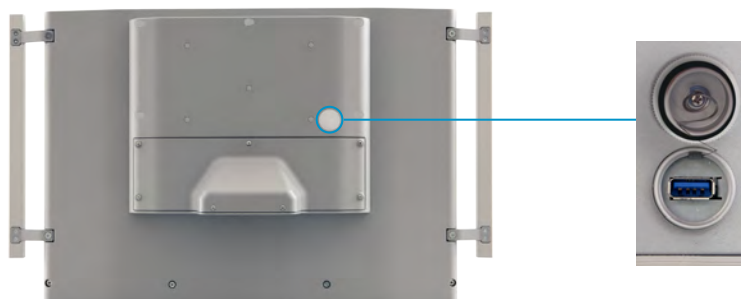
ASEM 6300PA-xxxBxxxF



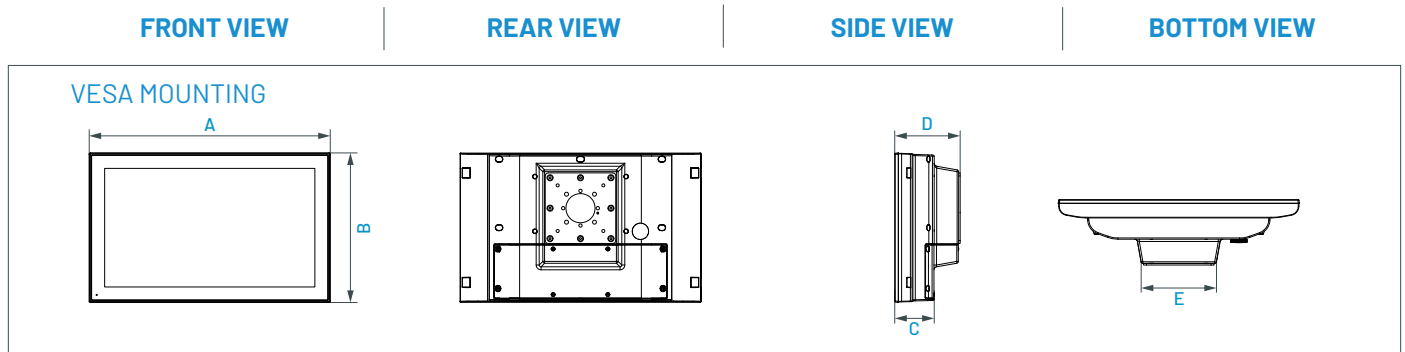
ASEM 6300PA-xxxBxxxP

Detail - USB 3.0

Rear Access USB 3.0 (Type-A) with protection cap

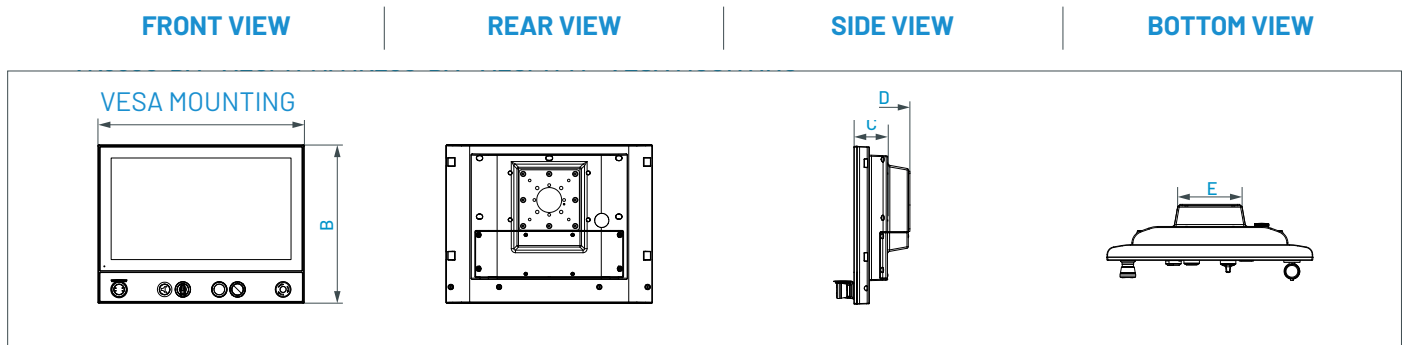


Dimensions (ASEM 6300PA-xxxAxxxF)



LCD	A	B	C	D	E	F (WITH PERIMETER HANDLE OR SIDE HANDLES)	G (ONLY WITH PERIMETER HANDLE)	H (ONLY WITH PERIMETER HANDLE) (ALU/TFM)	I (ONLY WITH KEYBOARD HOLDER KIT)
15.6"W VESA	396.3 mm 15.6 in	245.8 mm 9.68 in	65 mm 2.56 in	108 mm 4.25 in	123.9 mm 4.88 in	487 mm 19.17 in	291.3 mm 11.47 in	114/114 mm 4.49 in	190 mm 7.48 in
18.5"W VESA	461.8 mm 18.18 in	282.6 mm 11.13 in	71 mm 2.8 in	113 mm 4.45 in	123.9 mm 4.88 in	552.5 mm 21.75 in	328 mm 12.91 in	120/119 mm 4.69 in	184 mm 7.24 in
21.5"W VESA	528.8 mm 20.82 in	320.2 mm 12.61 in	75 mm 2.95 in	117 mm 4.61 in	123.9 mm 4.88 in	619.5 mm 24.39 in	366 mm 14.41 in	124/123 mm 4.84 in	180 mm 7.09 in
24"W VESA	585.2 mm 23.04 in	352.8 mm 13.89 in	75 mm 2.95 in	117 mm 4.61 in	123.9 mm 4.88 in	675.9 mm 26.61 in	398 mm 15.67 in	124/123 mm 4.84 in	180 mm 7.09 in

Dimensions (ASEM 6300PA-xxxBxxxF)



LCD	A	B	C	D	E	F (WITH PERIMETER HANDLE OR SIDE HANDLES)	G (ONLY WITH PERIMETER HANDLE)	H (ONLY WITH PERIMETER HANDLE)	I (ONLY WITH KEYBOARD HOLDER KIT)
15.6"W VESA	396.3 mm 15.6 in	304.3 mm 11.98 in	65 mm 2.56 in	107 mm 4.21 in	123.9 mm 4.88 in	487 mm 19.17 in	350 mm 13.78 in	114 mm 4.49 in	190 mm 7.48 in
18.5"W VESA	461.8 mm 18.18 in	341 mm 13.43 in	71 mm 2.8 in	113 mm 4.45 in	123.9 mm 4.88 in	552.5 mm 21.75 in	384 mm 15.12 in	119 mm 4.69 in	184 mm 7.24 in
21.5"W VESA	528.8 mm 20.82 in	378.7 mm 14.91 in	75 mm 2.95 in	117 mm 4.61 in	123.9 mm 4.88 in	619.5 mm 24.39 in	424 mm 16.69 in	123 mm 4.84 in	180 mm 7.09 in
24"W VESA	585.2 mm 23.04 in	411.3 mm 16.19 in	75 mm 2.95 in	117 mm 4.61 in	123.9 mm 4.88 in	676 mm 26.61 in	456 mm 17.95 in	123 mm 4.84 in	180 mm 7.09 in

ASEM 6300PA Series

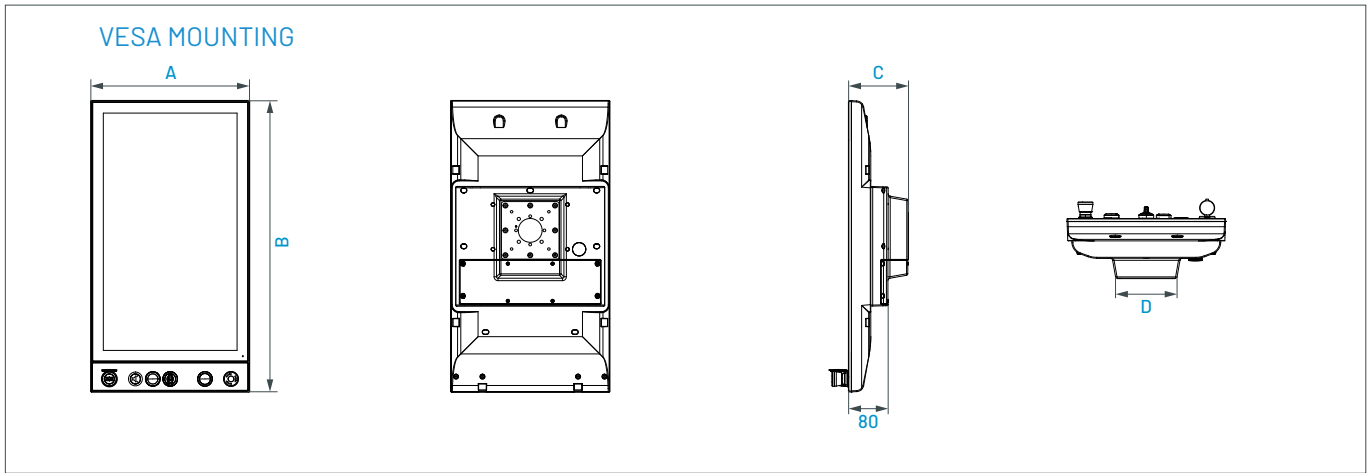
Dimensions (ASEM 6300PA-xxxBxxxP)

FRONT VIEW

REAR VIEW

SIDE VIEW

BOTTOM VIEW



LCD	A	B	C	D	E (WITH PERIMETER HANDLE OR SIDE HANDLES)	F (ONLY WITH PERIMETER HANDLE)	G (ONLY WITH PERIMETER HANDLE)	H (ONLY WITH KEYBOARD HOLDER KIT)
21.5"W VESA	320 mm 12.6 in	587 mm 23.11 in	121 mm 4.76 in	124 mm 4.88 in	410 mm 16.14 in	218 mm 8.58 in	127 mm 5 in	133 mm 5.24 in
24"W VESA	353 mm 13.9 in	644 mm 25.35 in	121 mm 4.76 in	124 mm 4.88 in	443 mm 17.44 in	246.5 mm 9.7 in	127 mm 5 in	132 mm 5.2 in

Technical data

	ASEM 6300PA-xxxBxxxF	ASEM 6300PA-xxxAxxxF	ASEM 6300PA-xxxBxxxP
LED BACKLIGHT TFT LCD	15.6" W - 1920x1080 18.5" W - 1920x1080 21.5" W - 1920x1080 24"W - 1920x1080		21.5" W - 1920x1080 24"W - 1920x1080
ORIENTATION	Landscape		Portrait
TOUCHSCREEN	P-CAP Multitouch		
FRONT PANEL	Material	Glass	
PROTECTION GRADE	IP rating	Full IP65	
	NEMA rating	UL Type 1, 4x (indoor only)	UL Type 1, 4x (indoor only) and 12
CASE	Installation	VESA 75/100 or pole/suspension on-machine system compatible with RITTAL CP40/ROLEC TARAPLUS/ HASEKE ULT KUPPLUNG 48	
	Material	Aluminum alloy AN AB46400	
	Color	Anti-scratchable painted - RAL 9006	
	Accessories	Side handles, perimeter handle, keyboard holder kit - IP65 Ø22 elements	
BUTTON AREA (optional)	See dedicated section		See dedicated section
PROCESSOR (soldered on-board)	Intel® Celeron™ 3965U 2.20GHz • 64bit • 2 cores / 2 threads • 2MB Smart cache • 14nm Intel® Core™ i3-7100U 2.40GHz • 64bit • 2 cores / 4 threads • 3MB Smart cache • 14nm • refer to footnote 2 Intel® Core™ i5-7300U 2.60GHz (3.50GHz Turbo) • 64bit • 2 cores / 4 threads • 3MB Smart cache • 14nm • IP65 Ø22 elements		
CHIPSET	Intel® Kaby Lake PCH-LP (Platform Controller Hub - Low Power) • Included into processor chip (SoC)		
VIDEO CONTROLLER	Intel® HD Graphics 610 integrated in Celeron™ 3965U • 300MHz/900MHz Intel® HD Graphics 620 integrated in Core™ i3 processors • 300MHz/1.00GHz • refer to footnote 2 Intel® HD Graphics 620 integrated in Core™ i5 processors • 300MHz/1.10GHz DirectX 12 and OpenGL 4.5 support		
WATCHDOG	Programmable time period		
SYSTEM MEMORY RAM	4GB or 8GB (1 x SODIMM DDR4 module)		
MASS STORAGE	CFast	1x bootable CFast SATA III slot onboard with external access (up to 240GB) available as a separate accessory • refer to footnote 3	
	M.2 SSD	1x onboard connector for direct insertion of M.2 2280 NVMe PCIe x2 SSD or M.2 2280 NVMe PCIe x4 SSD (up to 1TB) ¹	
INTERFACES	LAN	3x Gigabit Ethernet (RJ45)	
	USB	3x USB 3.0 (Type-A) • 1x USB 3.0 (Type-A) rear with protection cap	
	VIDEO (optional)	1x RJ45 connector for RVL	
ADD-ON INTERFACES (optional)	Position A (max 1)	1x RS232/422/485 (DB15M) isolated	
POWER SUPPLY INPUT	24VDC (18÷32VDC) isolated		
BATTERY	1x CR2032 Removable front access		
O.S. CERTIFIED	Microsoft Windows 10 IoT Enterprise 2019 64bit		
OPERATING TEMPERATURE	0°C ÷ 50°C		
STORAGE TEMPERATURE	-10°C ÷ 60°C		
OPERATING/STORAGE RELATIVE HUMIDITY	20% ÷ 90% RH (non-condensing)		
CERTIFICATIONS	CE RoHS UKCA cULus Listed RCM		

1. The M.2 NVMe PCIe x4 SSDs show actual performance that differs from the manufacturer's claims, as they are driven via 2 lanes (socket M.2 PCIe x2). Data transfer rates are about half of the declared value (comparable to M.2 NVMe PCIe x2 SSDs).
2. Only available as part of a fixed configuration, is not configurable by the customer.
3. 30GB is only available in a fixed configuration.

Connect with us.    

rockwellautomation.com

expanding **human possibility**[®]

AMERICAS: Rockwell Automation, 1201 South Second Street, Milwaukee, WI 53204-2496 USA, Tel: (1) 414.382.2000

EUROPE/MIDDLE EAST/AFRICA: Rockwell Automation NV, Pegasus Park, De Kleetlaan 12a, 1831 Diegem, Belgium, Tel: (32) 2663 0600

ASIA PACIFIC: Rockwell Automation SEA Pte Ltd, 2 Corporation Road, #04-05, Main Lobby, Corporation Place, Singapore 618494, Tel: (65) 6510 6608

UNITED KINGDOM: Rockwell Automation Ltd., Pitfield, Kiln Farm, Milton Keynes, MK11 3DR, United Kingdom, Tel: (44)(1908) 838-800

Allen-Bradley and expanding human possibility are trademarks of Rockwell Automation, Inc.

Cisco, FirePOWER, and FireSIGHT are trademarks of Cisco Systems, Inc. Trademarks not belonging to Rockwell Automation are property of their respective companies.

Publication 6300PA-PP001A-EN-P - February 2024

Copyright © 2024 Rockwell Automation, Inc. All Rights Reserved. Printed in USA.