

Guardmaster® Guard Locking with Proximity Sensors Safety Relay (GLP)



Standstill or Slow-Speed Monitoring

Rockwell Automation has expanded its family of Allen-Bradley® Guardmaster® GSR safety relays with the new GLP module. Developed specifically for guard locking applications, the GLP helps OEMs reduce design and installation time for standstill or slow-speed guard locking applications. It uses two proximity sensors as inputs to monitor motion and unlock a gate when equipment reaches a safe speed.

Designed to meet international safety standards, such as EN ISO 13849-1 and EN 62061, the entire GSR relay line – including the GLP – features a patented, single-wire communication capability that helps eliminate the need for dual-channel connection between relays. Users can expand and cascade safety functions up to a safety integrity level (SIL) 3 rating using a single wire to connect between relays thus reducing installation time.



Features and Benefits

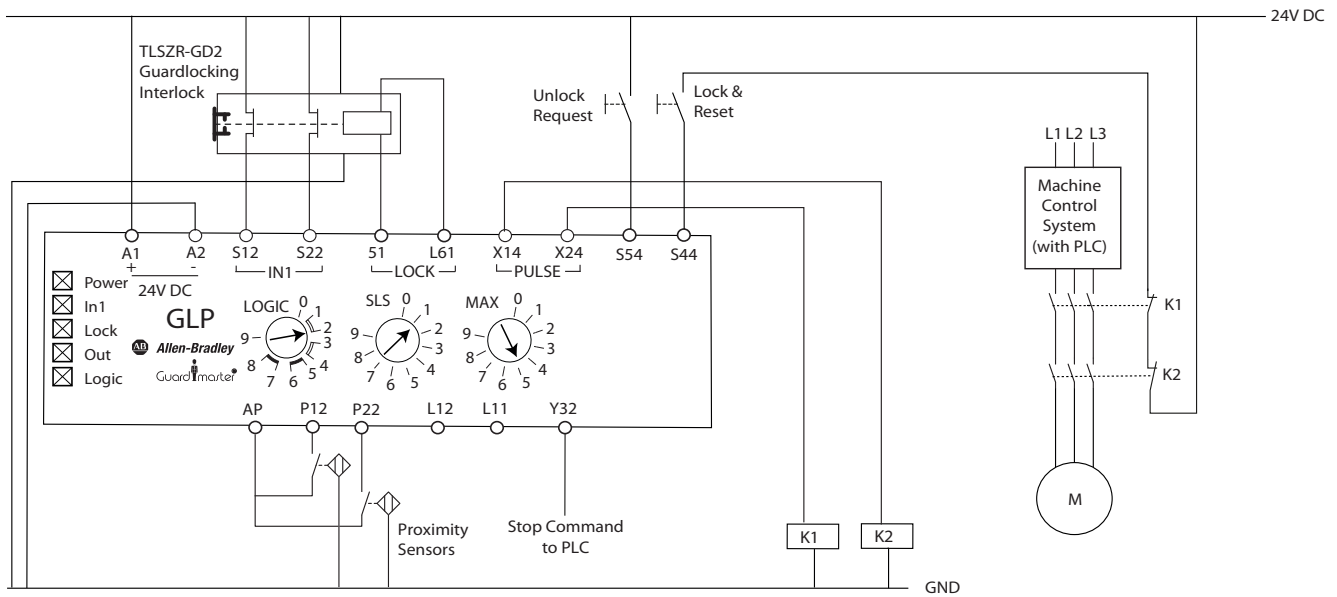
- PLd and CAT3 per ISO13849-1, SIL CL2 per IEC 61508
- For standstill or slow-speed monitoring and guard locking
- 2 PNP proximity sensor inputs with 2 additional inputs for lock request and door monitoring
- Versatility through simple logic, reset and speed monitoring configurations
- Single-wire safety relay connection allows for ease of installation and system flexibility
- Terminals are grouped together for power, inputs and outputs for clear connection
- A global safeguarding solution that meets all applicable directives and is third-party tested and approved by UL and TÜV

LISTEN.
THINK.
SOLVE.®

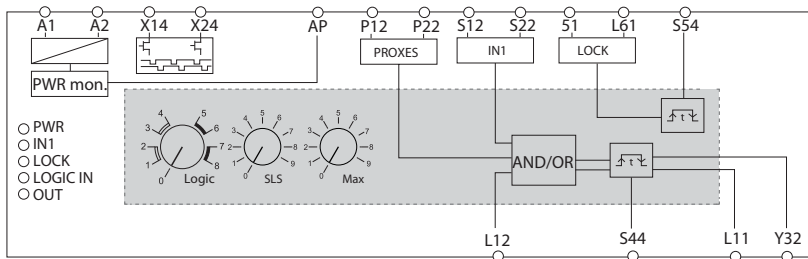
Product Selection

Relay Type	No. of Sensor Inputs	Additional Inputs	Immediate Safety Outputs	Delayed Safety Outputs	Time Delay	Immediate Auxiliary Outputs	Power Supply	Cat. No.
Guard locking Proximity (GLP)	1 dual-channel 2 PNP Proxes	2 N.C., OSSD	1 single-wire safety	—	—	1 solid state	24V DC	440R-GL2S2P

Application Example



Block Diagram



Allen-Bradley, Guardmaster, LISTEN. THINK. SOLVE. and Rockwell Software are trademarks of Rockwell Automation, Inc. Trademarks not belonging to Rockwell Automation are property of their respective companies.

www.rockwellautomation.com

Power, Control and Information Solutions Headquarters

Americas: Rockwell Automation, 1201 South Second Street, Milwaukee, WI 53204-2496 USA, Tel: (1) 414.382.2000, Fax: (1) 414.382.4444

Europe/Middle East/Africa: Rockwell Automation NV, Pegasus Park, De Kleetlaan 12a, 1831 Diegem, Belgium, Tel: (32) 2 663 0600, Fax: (32) 2 663 0640

Asia Pacific: Rockwell Automation, Level 14, Core F, Cyberport 3, 100 Cyberport Road, Hong Kong, Tel: (852) 2887 4788, Fax: (852) 2508 1846