

The Power of Collaboration Working for You

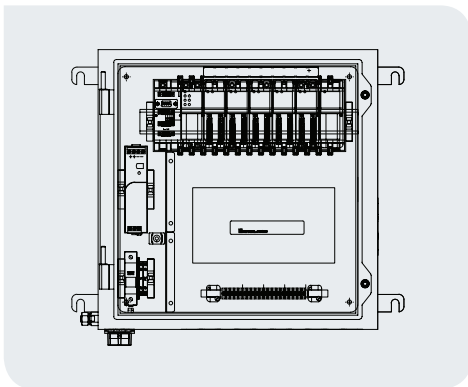


PartnerNetwork™ Solutions from Rockwell Automation



Remote I/O cabinet suitable for Class I, Div. 1 areas

PEPPERL+FUCHS

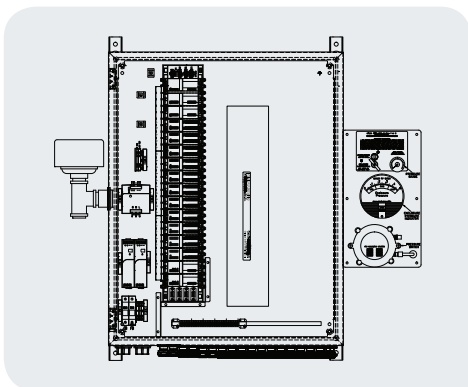


Sample 8-slot 1719 Ex I/O enclosure suitable for Class I, Div. 2 mounting

Enclosure Solutions from Pepperl+Fuchs for I/O Solutions at Hazardous Locations

Seamless Automation Solutions

Pepperl+Fuchs offers UL-listed, purged cabinet and enclosure solutions for installing equipment from Rockwell Automation in hazardous locations. Both automation leaders have a long tradition of working together to bring best-in-class solutions for end users in industries like turbine power, oil and gas, chemical, pharmaceutical and food and beverage. By incorporating proven protection methods from Pepperl+Fuchs, solutions like 1719 Ex I/O modules can be used in harsh environments.



Sample 22-slot 1719 Ex I/O purge enclosure with Type Y purge suitable for Class I, Div. 1 mounting

Reliable Protection in Any Conditions

1719 Ex I/O modules from Rockwell Automation are built for Class I, Div. 2 hazardous locations. To install 1719 Ex I/O modules in Class I, Div. 1 hazardous locations, users can leverage the UL-listed, purged cabinet and enclosure solutions from Pepperl+Fuchs, such as the Type Y purge system. In addition, Pepperl+Fuchs offers a Type X purge solution for installing non-rated equipment in combination with Class I, Div. 2 equipment.



Exceptional Expertise and Reliability

Globally recognized as authorities in hazardous location protection, Pepperl+Fuchs provides decades of experience in certification and approval for hazardous locations. As The Leaders in Purging Technology®, Pepperl+Fuchs' portfolio of Bebcos EPS® purge and pressurization systems has a proven track record of quality and dependability across the process automation industry.



Bebco EPS purge and pressurization by Pepperl+Fuchs

Standard Enclosures for 1719 Ex I/O Systems for Hazardous Locations

Pepperl+Fuchs enclosure solutions are suitable for 1719 Ex I/O modules. The chart shows the basic design configurations, including rack size, enclosure size, and wiring preference. Other configurations and options are available, including power distribution, branch circuit protection and enclosure size. Apart from enclosure solutions, Pepperl+Fuchs offers hazardous location certified solutions and supply assemblies for incorporating into a larger design or system.

Solutions for Class I, Div. 1/2 and ATEX Zone 1/2

Model Number	Slots	Size (WxHxD) in. (mm)
PG-CID1-LB08-SX0-B16ER	8	15.75 (400) x 15.75 (400) x 8.50 (216)
PG-CID1-LB08-SXX-X16ER	8	15.75 (400) x 15.75 (400) x 8.50 (216)
PG-IEC-SYS-Z1G08-0-BER	8	15.75 (400) x 15.75 (400) x 8.50 (216)
PG-IEC-SYS-Z1G08-X-XER	8	15.75 (400) x 15.75 (400) x 8.50 (216)
PG-CID1-LB22-SX0-B16ER	22	20.00 (508) x 30.00 (762) x 8.50 (216)
PG-CID1-LB22-SXX-X16ER	22	20.00 (508) x 30.00 (762) x 8.50 (216)
PG-IEC-SYS-Z1G22-0-BER	22	20.00 (508) x 30.00 (762) x 8.50 (216)
PG-IEC-SYS-Z1G22-X-XER	22	20.00 (508) x 30.00 (762) x 8.50 (216)
PG-CID1-LB46-SX0-B16ER	46	42.00 (1410) x 36.00 (915) x 12.00 (305)
PG-CID1-LB46-SXX-X16ER	46	42.00 (1410) x 36.00 (915) x 12.00 (305)
PG-IEC-SYS-Z1G46-0-BER	46	42.00 (1410) x 36.00 (915) x 12.00 (305)
PG-IEC-SYS-Z1G46-X-XER	46	42.00 (1410) x 36.00 (915) x 12.00 (305)

PEPPERL+FUCHS



Rockwell Automation and PartnerNetwork companies collaborate to help you develop an ongoing approach to plant-wide optimization, improve your machine performance and achieve your sustainability objectives.

North/Central America Headquarters
 Pepperl+Fuchs Inc.
 Twinsburg · Ohio · USA
 Tel: +1-330-425-3555
 Email: RFQ@us.pepperl-fuchs.com
 www.ExplosionProtection.com

Pepperl+Fuchs is the leading developer and manufacturer of hazardous location protection products and components for the global process automation market.

They are the global market leaders of industrial safety equipment for intrinsic safety and explosion protection technology.

Allen-Bradley, Encompass, LISTEN. THINK. SOLVE., PartnerNetwork and Rockwell Software are trademarks of Rockwell Automation, Inc. Trademarks not belonging to Rockwell Automation are property of their respective companies.

www.rockwellautomation.com

Power, Control and Information Solutions Headquarters

Americas: Rockwell Automation, 1201 South Second Street, Milwaukee, WI 53204-2496 USA, Tel: (1) 414.382.2000, Fax: (1) 414.382.4444
 Europe/Middle East/Africa: Rockwell Automation NV, Pegasus Park, De Kleetlaan 12a, 1831 Diegem, Belgium, Tel: (32) 2 663 0600, Fax: (32) 2 663 0640
 Asia Pacific: Rockwell Automation, Level 14, Core F, Cyberport 3, 100 Cyberport Road, Hong Kong, Tel: (852) 2887 4788, Fax: (852) 2508 1846