

1494G Safety Switches for Hazardous Locations

100 A Switch Rating

Rockwell Automation expands its line of Allen-Bradley Bulletin 1494G Safety Switches for hazardous locations now available in a 100 A switch rating. One catalog number (1494G-NX8) can be used for 30 A, 60 A and 100 A applications. This saves time and money for order processing and inventory requirements.

SAFER SOLUTION

Enclosure

- Type 3R, 7 & 9 bolted enclosure with breather and drain
- For use in indoor and outdoor applications
- Copper-free, aluminum alloy, painted construction for corrosion resistance and durability
- UL 1203 Listed and CSA 22.4 certified for use in Class I, Division 1 & 2, Groups C & D and Class II, Groups E, F and G hazardous gas or dust locations
- Viewing window to readily see the blades of the disconnect switch

Disconnect Switch

- Time-proven, robust design for long life
- Switch blades are fully exposed when the disconnect switch is de-energized for instant visual status through the viewing window
- Switch, mechanism and handle are always connected, even when the enclosure door is open

Handle

- Disconnect handle can be padlocked in the OFF position for safer installation
- Disconnect handle plate includes provisions for a Kirk Key interlock



EASE OF INSTALLATION

- Slotted mounting feet provide easy, time saving installation
- Hinges conveniently hold the cover in place for easy access
- Quad lead, quick release stainless steel bolts save time when opening the enclosure
- (3) conduit holes on top and bottom for wiring convenience

FLEXIBILITY

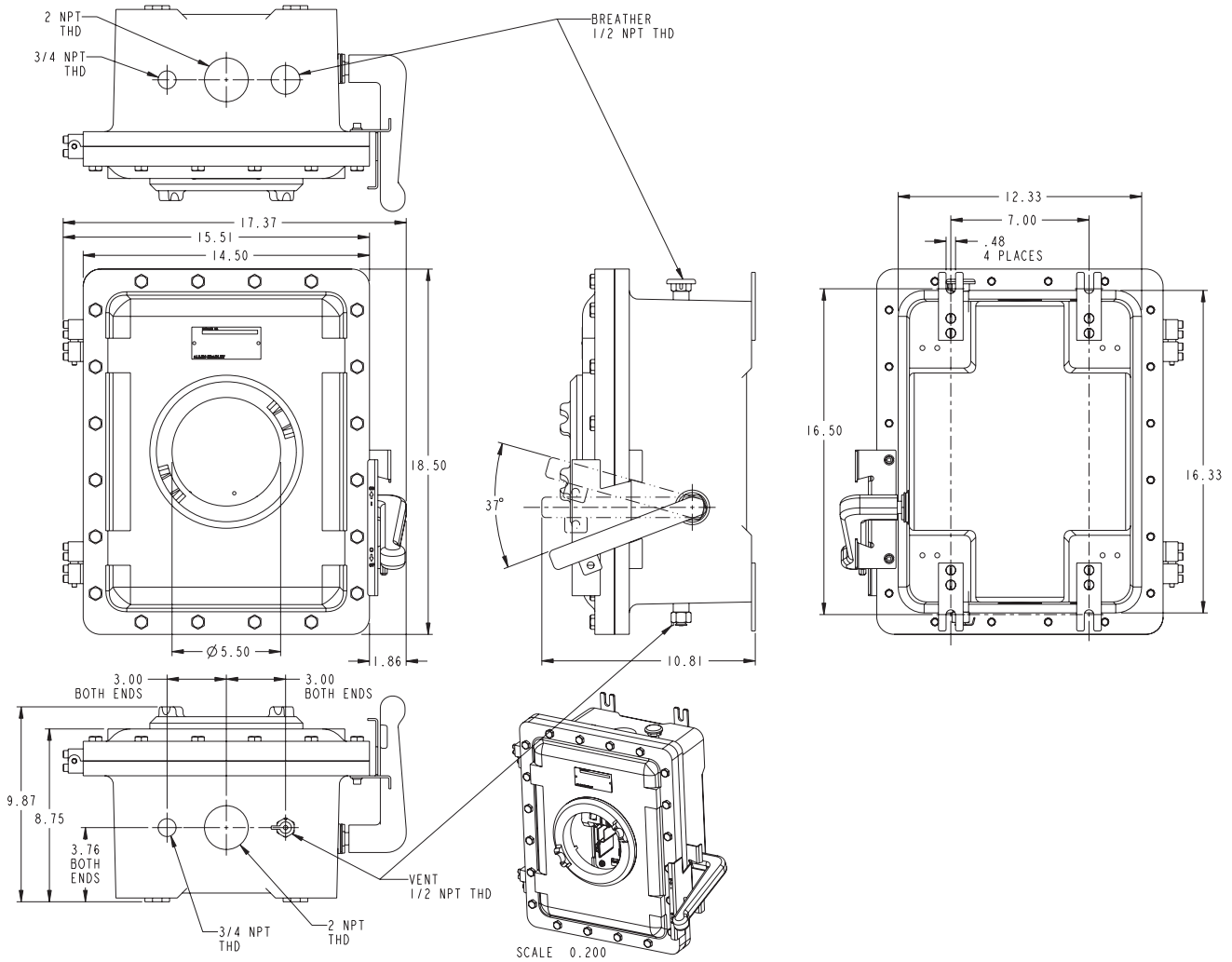
- Standard Components
- 100A, 3 phase, 600V non-fusible switch
- Viewing window
- N.O. Auxillary Contact
- Ground lug
- Breather and drain for Type 3R outdoor applications
- Provisions for padlocking handle
- Provisions for Kirk Key interlock

LISTEN.
THINK.
SOLVE.

Non-Fusible Disconnect Switch

Size	Horsepower					Catalog Number
	480 VAC		600 VAC		250 VAC	
	STD	MAX	STD	MAX		
30 A	5	15	7.5	20	5	1494G-NX8
60 A	15	30	15	50	10	
100 A	20	60	30	75	20	

Dimensions



www.rockwellautomation.com

Power, Control and Information Solutions Headquarters

Americas: Rockwell Automation, 1201 South Second Street, Milwaukee, WI 53204-2496 USA, Tel: (1) 414.382.2000, Fax: (1) 414.382.4444

Europe/Middle East/Africa: Rockwell Automation NV, Pegasus Park, De Kleetlaan 12a, 1831 Diegem, Belgium, Tel: (32) 2 663 0600, Fax: (32) 2 663 0640

Asia Pacific: Rockwell Automation, Level 14, Core F, Cyberport 3, 100 Cyberport Road, Hong Kong, Tel: (852) 2887 4788, Fax: (852) 2508 1846