

MPMA Safe Handling Procedure

Catalog Number MPMA

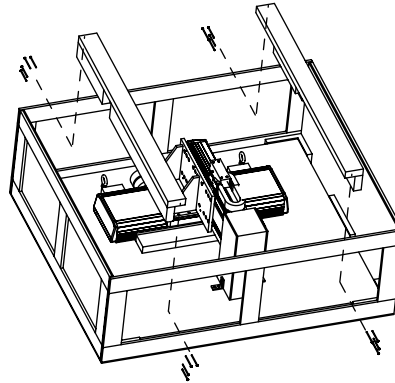
ATTENTION



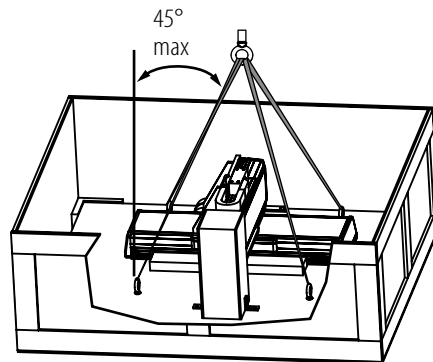
Improper handling of a stacked stage can cause personal injury and damage to the equipment. Follow these unpacking instruction to safely unpack and avoid damaging your stacked stage.

Remove Stacked Stage from Crate

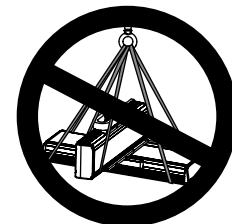
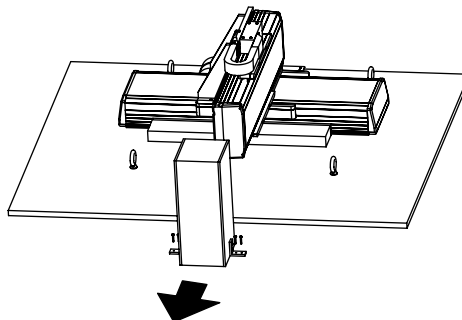
1. Remove the crate bases.



2. Attach lifting straps to shipping platform eyebolts. The angle between straps and vertical is not to exceed 45°.



3. Lift platform from crate using a hoist.
4. Support cantilevered or secondary stage while removing crate shipping platform.



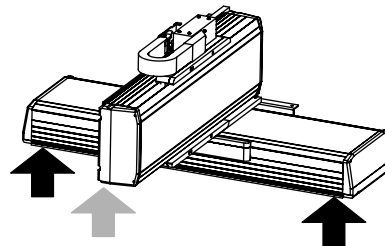
ATTENTION

Never use lifting straps to move the stacked stage. Using lifting straps will deform covers and strip seals. Always use a three-person lift to move the stacked stage.

5. Use a three-person lift to move the stacked stage.

Position one person at each end of base stage grasping the bottom of the stage near the ends. The third person will grasp the cantilevered end or top stage by the stage base only and apply only enough lift to balance the equipment.

The bottom stage should bear most of the weight and the top used for balance only. Do not lift by the cover, side covers, or put pressure on the strip seals.



ATTENTION

Do not remove stage shipping brackets until stacked stage is fully installed. Removing stage shipping brackets will allow the carriages to move unexpectedly which could cause personal injury and damage to the equipment.

Additional Resource

Refer to the MP-Series Integrated Multi-Axis Linear Stages Users Manual, publication [MPMA-UM001](#), for additional information on handling stacked stages. You can view or download publications at <http://literature.rockwellautomation.com>. To order paper copies of technical documentation, contact your local Rockwell Automation distributor or sales representative.

Rockwell Automation is a trademarks of Rockwell Automation, Inc.

www.rockwellautomation.com

Power, Control and Information Solutions Headquarters

Americas: Rockwell Automation, 1201 South Second Street, Milwaukee, WI 53204-2496 USA, Tel: (1) 414.382.2000, Fax: (1) 414.382.4444

Europe/Middle East/Africa: Rockwell Automation, Vorstlaan/Boulevard du Souverain 36, 1170 Brussels, Belgium, Tel: (32) 2 663 0600, Fax: (32) 2 663 0640

Asia Pacific: Rockwell Automation, Level 14, Core F, Cyberport 3, 100 Cyberport Road, Hong Kong, Tel: (852) 2887 4788, Fax: (852) 2508 1846

Publication MPMA-PC001A-EN-P - September 2008

Copyright © 2008 Rockwell Automation, Inc. All rights reserved. Printed in the U.S.A.