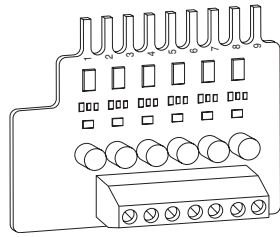
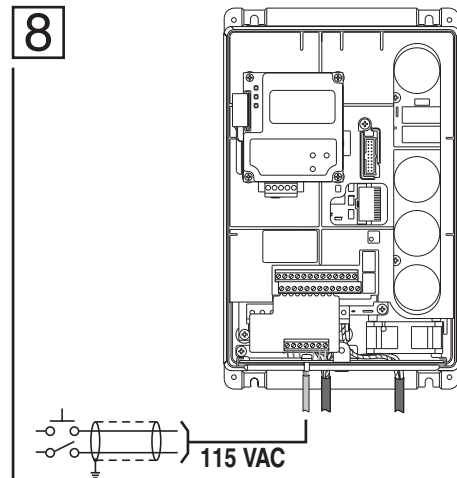
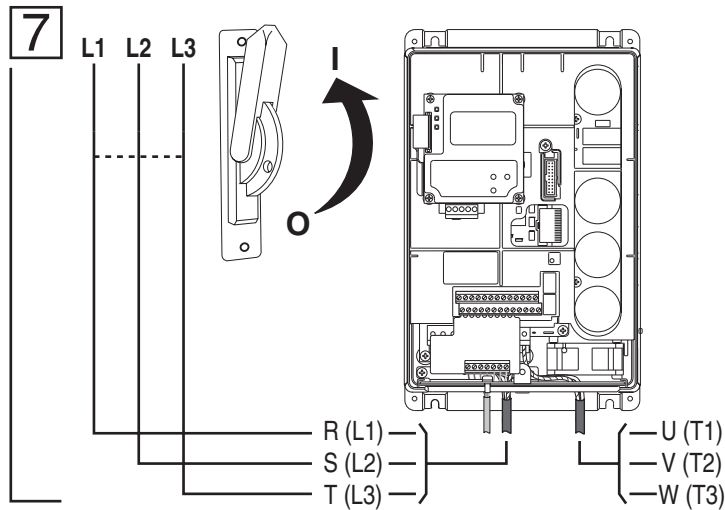
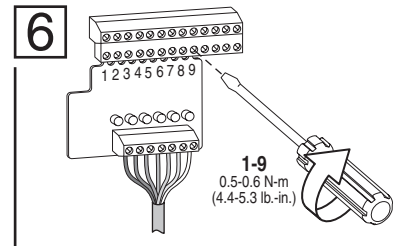
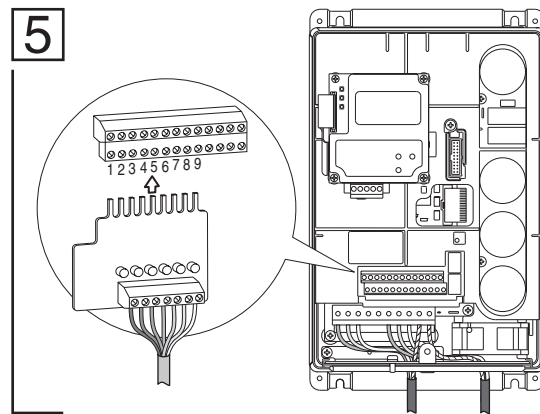
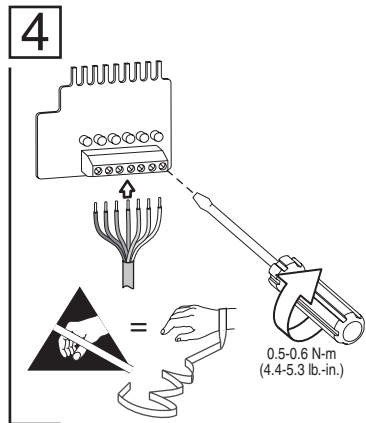
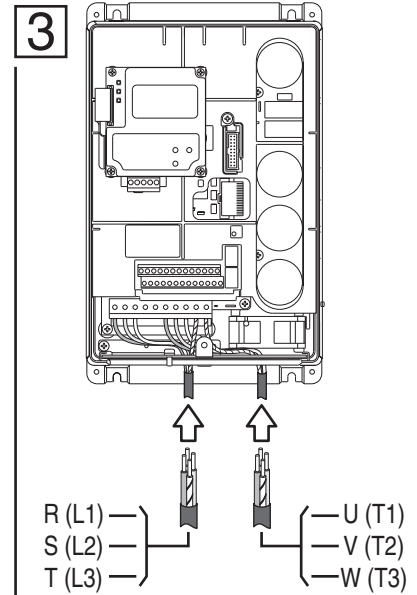
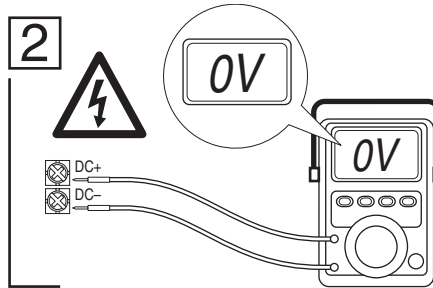
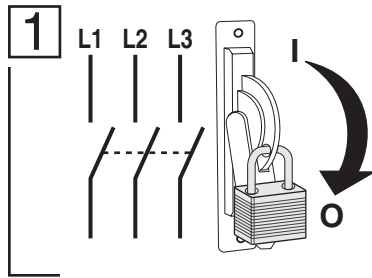



## 115 Volt AC Interface Card



## Installation Instructions

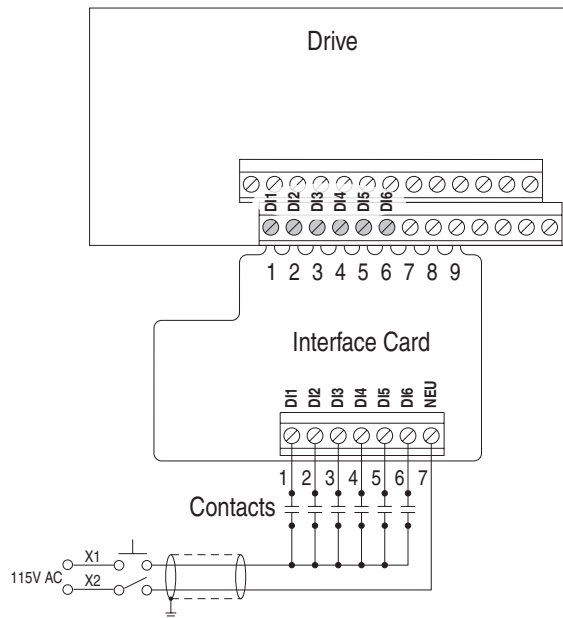


## Specifications

Category	Specification	
Electrical Ratings	Input Voltage	115V AC (130V AC Max) @ 50-60 Hz
	Turn On Voltage	>100V AC
	Turn Off Voltage	<30V AC
	Input Current Minimum	5.0 mA @ 130V AC
	Maximum Transient Voltage	2.5 kV
	Minimum Input Impedance	35.5k @ 130V AC
Environment	Maximum Surrounding Air Temperature	0 to 50°C (32 to 122°F)
	Storage Temperature	-40 to 85°C (-40 to 185°F)
	Relative Humidity	0 to 95% non-condensing
Agency Certification		

## Operation

Closing a Contact asserts the associated Digital Input. For example when Contact 1 is closed Digital Input 1 (DI1) is asserted.



[www.rockwellautomation.com](http://www.rockwellautomation.com)

### Power, Control and Information Solutions Headquarters

Americas: Rockwell Automation, 1201 South Second Street, Milwaukee, WI 53204-2496 USA, Tel: (1) 414.382.2000, Fax: (1) 414.382.4444

Europe/Middle East/Africa: Rockwell Automation, Vorstlaan/Boulevard du Souverain 36, 1170 Brussels, Belgium, Tel: (32) 2 663 0600, Fax: (32) 2 663 0640

Asia Pacific: Rockwell Automation, Level 14, Core F, Cyberport 3, 100 Cyberport Road, Hong Kong, Tel: (852) 2887 4788, Fax: (852) 2508 1846

