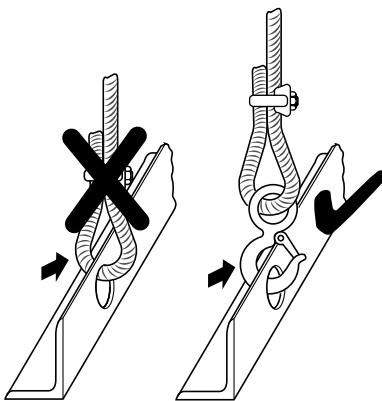


Lifting Instructions for Frames 4-6
Hebeanweisungen für Baugrößen 4-6
Instructions de levage pour les tailles 4-6
Istruzioni per il sollevamento per i telai 4 - 6
Instrucciones de izado para los bastidores 4-6
Hijsinstructies voor frames 4-6
Instruções de elevação para os gabinetes 4-6
框架 4-6 提升说明

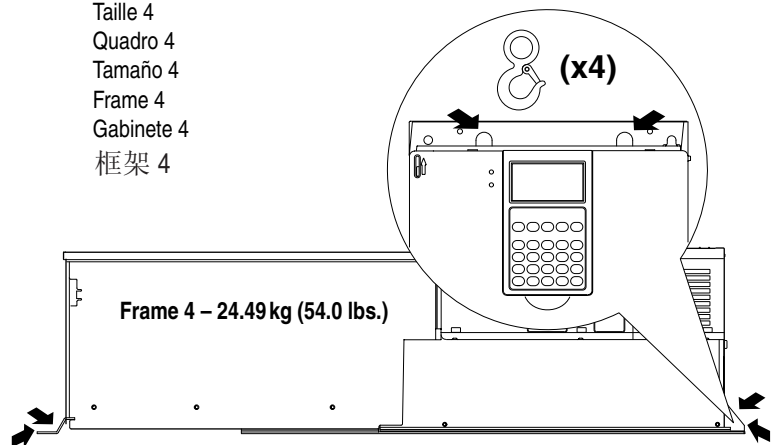
Installation Instructions
Installationsanleitung
Installation
Installazione
Instalación
Instructies
Instalação
安装说明

1

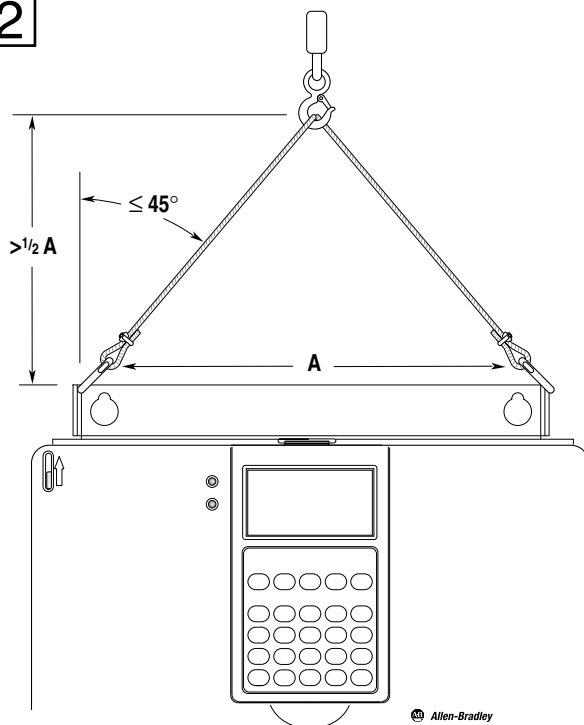


3a

Frame 4
 Baugröße 4
 Taille 4
 Quadro 4
 Tamaño 4
 Frame 4
 Gabinete 4
 框架 4

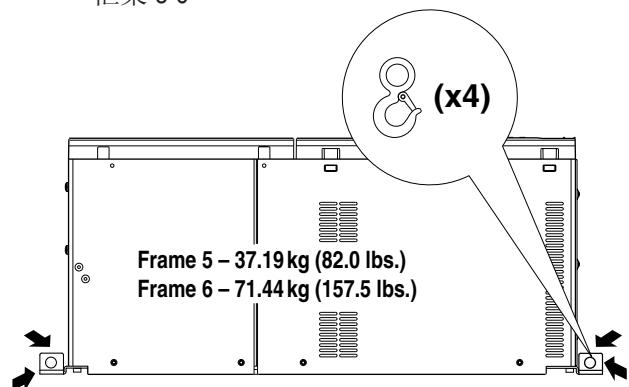


2



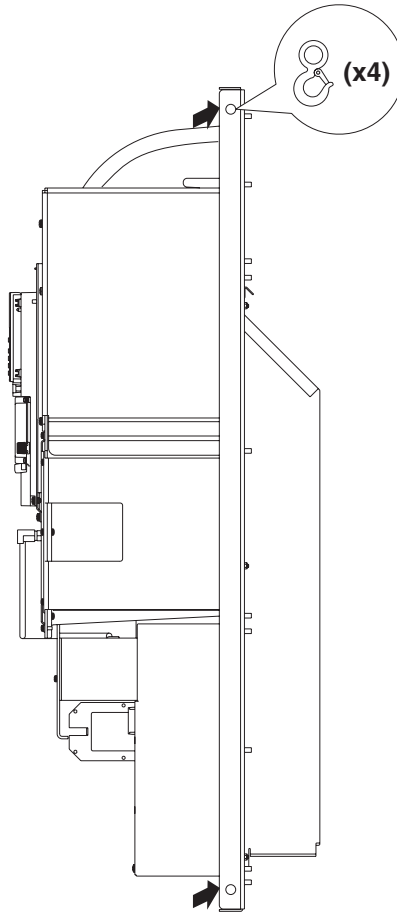
3b **UL Type 1**

Frame 5-6
 Baugröße 5-6
 Taille 5-6
 Quadro 5-6
 Tamaño 5-6
 Frame 5-6
 Gabinete 5-6
 框架 5-6

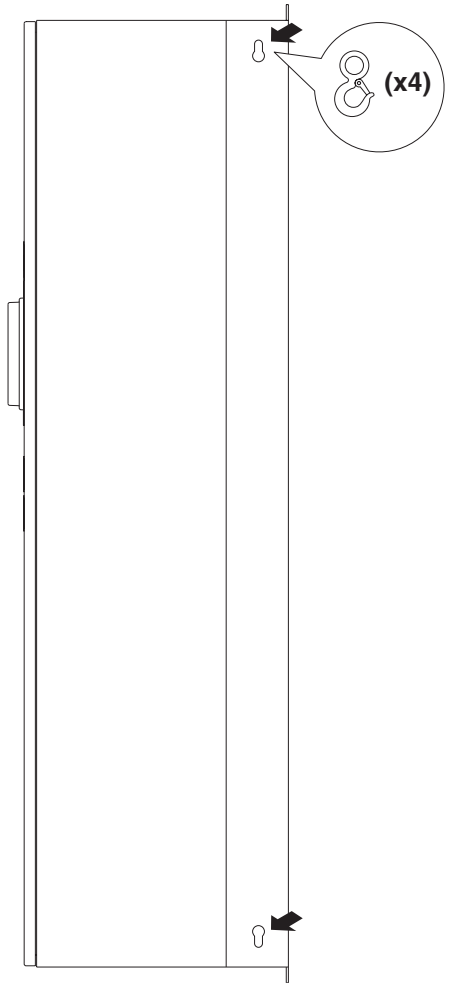


3C **UL Type 12**

- Frame 5-6
- Baugröße 5-6
- Taille 5-6
- Quadro 5-6
- Tamaño 5-6
- Frame 5-6
- Gabinete 5-6
- 框架 5-6



Frame 5 – 61.69 kg (136.0 lbs.)
Frame 6 – 99.79 kg (220.0 lbs.)



Frame 5 – 102.51 kg (226.0 lbs.)
Frame 6 – 176.90 kg (390.0 lbs.)



www.rockwellautomation.com

Power, Control and Information Solutions Headquarters

Americas: Rockwell Automation, 1201 South Second Street, Milwaukee, WI 53204 USA, Tel: (1) 414.382.2000, Fax: (1) 414.382.4444

Europe/Middle East/Africa: Rockwell Automation, Vorstlaan/Boulevard du Souverain 36, 1170 Brussels, Belgium, Tel: (32) 2 663 0600, Fax: (32) 2 663 0640

Asia Pacific: Rockwell Automation, Level 14, Core F Cyberport 3, 100 Cyberport Road, Hong Kong, Tel: (852) 2887 4788, Fax: (852) 2508 1846