



Allen-Bradley

Guardmaster®

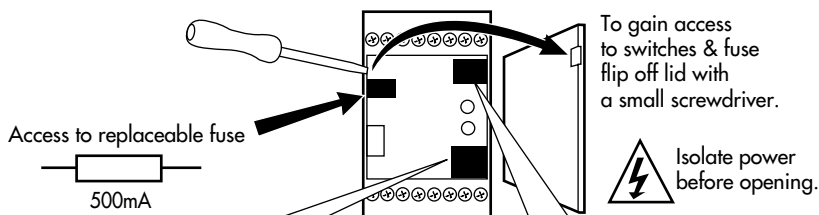
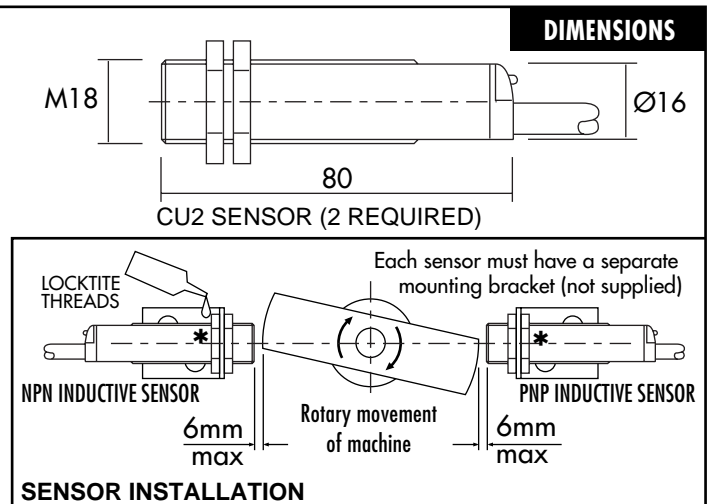
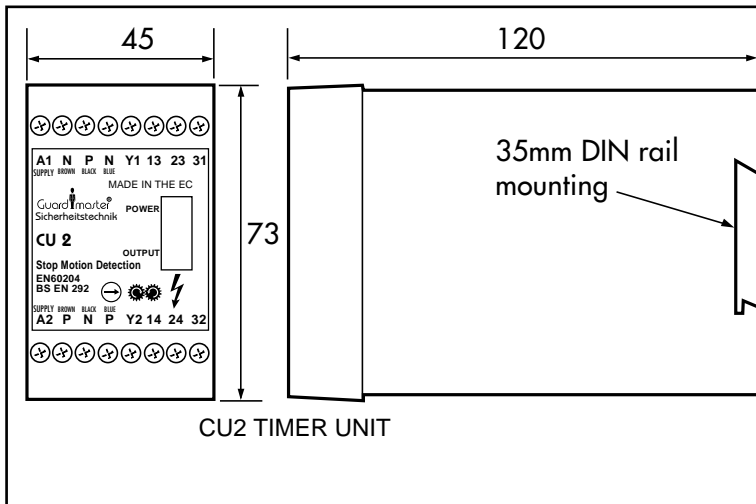
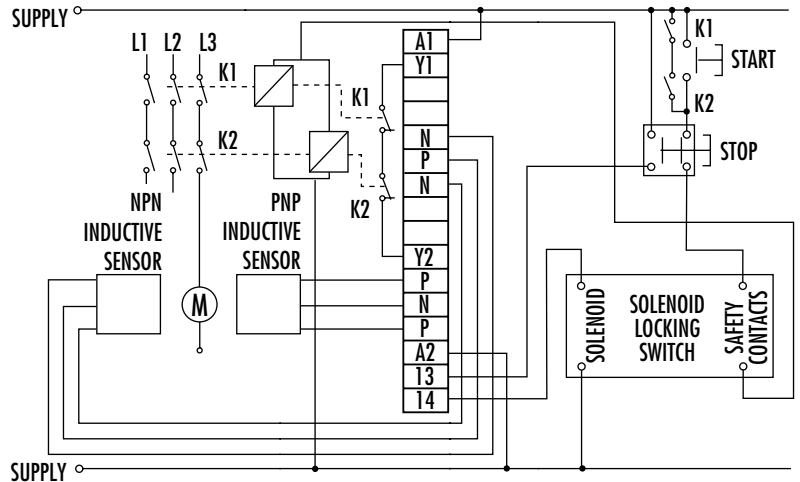
CU2 STOP MOTION DETECTOR

Technical Specifications

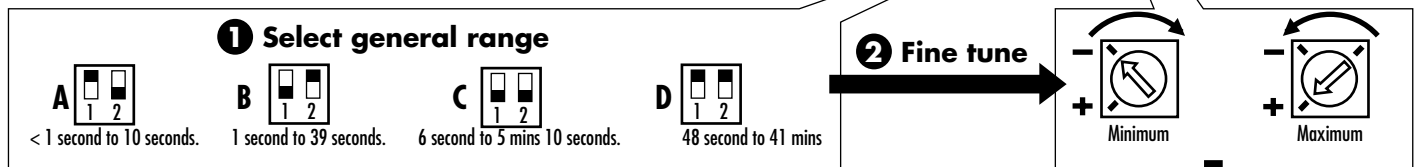
- Power supply: 110/230V AC (Switch selectable) or 24V AC/DC
- Relay outputs: 2 N/O + 1N/C (TUV approved)
- Maximum switched current/voltage/load: 4A/250V AC/1000VA
- Internal fuse: 500mAT (replaceable)
- Mounting: 35mm DIN Rail
- Enclosure protection: IP 40 DIN 0470
- Terminal Isolation: IP 20 DIN 0470
- Ambient temperature: -10°C to +55°C
- Internal switches: 110/230V AC selector
- LED indication: A, B, C, D timing range selector
- Red = Power On
- Red/Green LED : Red = Timing, Green = Output
- Standards conformity: EN 60204, BS EN 292

The CU2 provides a stopped motion detection system and is used together with CU2 sensors to detect movement of a machine via the flywheel, gear or shaft etc. Upon energisation the unit powers up (Red LED). When the sensor detects that the machine has stopped the CU2 integral timer operates and after the selected time delay the Signal LED turns Green. This indicates that the safety outputs are closed and the CU2 will allow access to the machine, typically via a solenoid operated guard interlocking switch with guard locking. In this way the machine is at an ensured stop before access is possible. The auxiliary output is now "OFF". The outputs and timer circuit are failsafe and cross monitored.

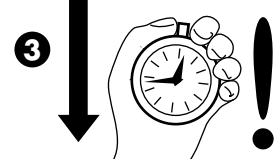
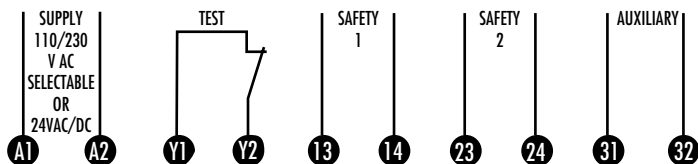
Time delay selection is a simple matter for a qualified person to set the DIP switches and fine tune accordingly. In addition a replaceable plug-in 500mAT fuse is accessible behind the removable panel (isolate the power before opening) preventing short circuits or overloads from damaging the unit. Terminals Y1 - Y2 can be used to provide monitoring of the contactors at power up of the CU2.



TIMER RANGE INTERNAL SWITCH SETTING



TERMINAL CONNECTIONS



Check time delay is set correctly