



# Bulletin 856T Control Tower™

## Use Bulletin 856T Components Only

-30°C to +70°C (-22°F to +158°F) c us UL Type 4/4X/13 IP66/ IP67



**WARNING**

**AVERTISSEMENT**

**WARNUNG**

**AVVERTENZA**

**ATENÇÃO**

**ADVERTENCIA**

Do not use strobe lights around anyone suffering from cerebral disorders (epilepsy). Strobe lights may cause seizures to occur.

Ne pas utiliser de stroboscopique à proximité de personnes souffrant de problèmes cérébraux (épilepsie), afin d'éviter tout risque de crise.

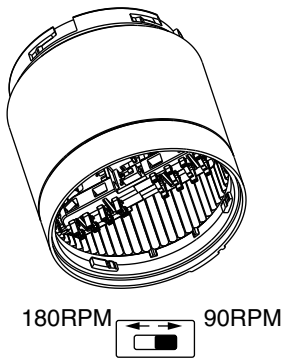
Verwenden Sie keine Blitzleuchten-Module im Nahbereich von Personen die an Epilepsie leiden.

Non usare luci stroboscopiche nelle vicinanze di persone sofferenti di epilessia.

Não usar luzes strobe perto de pessoas sofrendo de problemas cerebrais (epilepsia). Estas luzes podem provocar um ataque.

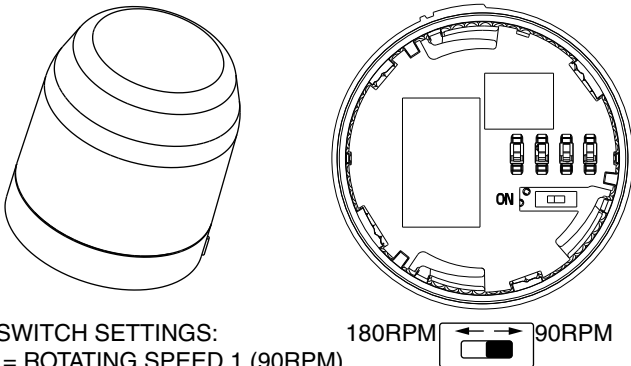
No utilizar luz estroboscópica alrededor de personas con problemas cerebrales (epilepsia). La luz estroboscópica puede causar ataques epilépticos.

### ROTATING MODULES IN-LINE (856T-BR\*)



180RPM 90RPM

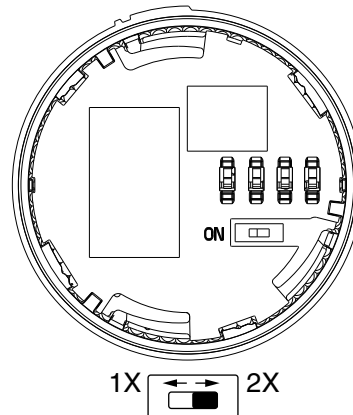
### BEACON (856T-BRB\*)



180RPM 90RPM

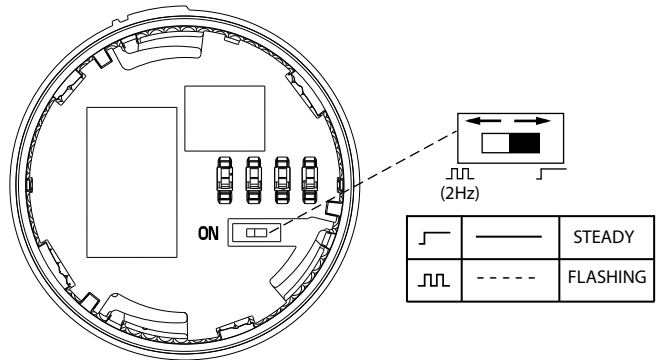
DIP SWITCH SETTINGS:  
 OFF = ROTATING SPEED 1 (90RPM)  
 "ON" = ROTATING SPEED 2 (180RPM)

### BEACON STROBE MODULE (856T-BSB\*)



1X 2X

### BEACON STEADY/FLASHING MODULE (856T-BGB\*)



2Hz



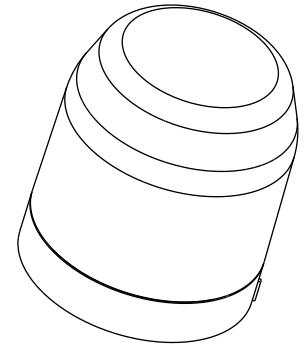
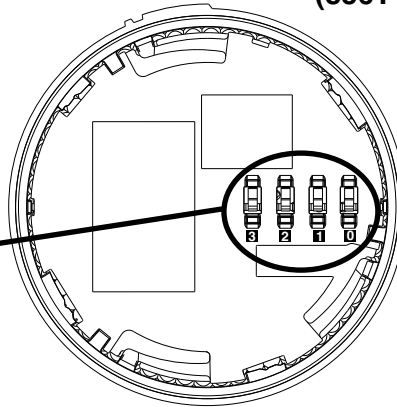
At the end of its life, this equipment should be collected separately from any unsorted municipal waste.  
 Au terme de son cycle de vie, cet équipement doit être collecté séparément des ordures ménagères.  
 Sammeln Sie das Gerät am Lebensende etrennt vom Hausmüll  
 Al termine della sua vita, questo dispositivo deve essere raccolto separatamente dai rifiuti urbani indifferenziati.  
 No final de sua vida útil, este equipamento deve ser coletado separadamente de qualquer lixo municipal não triados.  
 Al final de su vida útil, este equipo deberá ser eliminado separadamente de los residuos domésticos.

**MULTICOLOR MODULES**

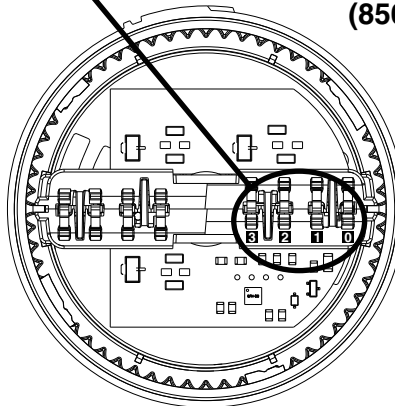
	INPUTS		
	1	2	3
GREEN	X		
YELLOW		X	
RED			X
BLUE	X	X	
MAGENTA		X	X
TURQUOISE	X		X
WHITE	X	X	X

**INPUT 0 = COMMON**

**BEACON  
(856T-BMB)**

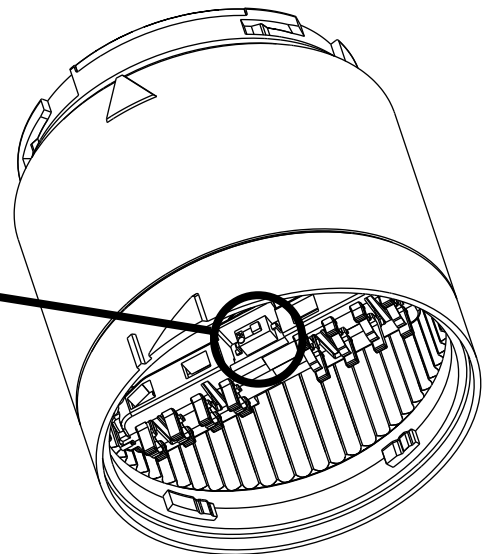


**IN-LINE  
(856T-BMC)**



**IN-LINE MULTIFUNCTION MODULE (856T-BB\*)**

	SWITCH SETTINGS		
	S1	S2	
STEADY	OFF	OFF	
FLASHING	ON	OFF	(2Hz)
1X STROBE	ON	ON	(1.4Hz)
2X STROBE	OFF	ON	(1.4Hz)



Power, Control and Information Solutions Headquarters  
 Americas: Rockwell Automation, 1201 South Second Street, Milwaukee, WI 53204-2496 USA, Tel: (1)414.382.2000, Fax:(1)414.382.4444  
 Europe/Middle East/Africa: Rockwell Automation NV, Pegasus Park, De Kleetlaan 12a, 1831 Diegem, Belgium, Tel:(32)26630600, Fax: (32) 26630640  
 Asia Pacific: Rockwell Automation, Level 14, Core F, Cyberport 3, 100 Cyberport Road, Hong Kong, Tel:(852)28874788, Fax: (852) 2508 1846

**Bul. 856T**

PN-492924  
 DIR: 10003933424 (Version 01)  
 Printed in U.S.A.

www.rockwellautomation.com

