

Installation and Operating Instructions

Bulletin 802K DIN 50041 IEC/Large Metal Body Standard Limit Switch

IMPORTANT: SAVE THESE INSTRUCTIONS FOR FUTURE USE.

IMPORTANT	Installation of Allen-Bradley products should be in accordance with local and/or national codes. Servicing energized industrial control equipment can be hazardous if not in accordance to recommended safety procedures.
------------------	---

Specifications

AC/DC Designation	A600; Q600
AC/DC Utilization Category	Alternating current: AC15 (50/60 Hz) Ue (V): 120 240 500 600 Ie (A): 6 3 1.4 1.2 Direct current: DC13 Ue (V): 125 250 500 600 Ie (A): 0.55 0.27 0.13 0.1
Max. Fusing Rate	10 A fast acting
Impulse Voltage (Uimp)	2500V
Enclosure Protection	IP66
Pollution Degree	3
Storage/Operating Temperature	-25...+65 °C (-13...+149 °F)
Direct Opening Action	Normally closed only
Conductor Sizes	Use copper conductors only
Stranded	0.75...2.5 mm ² (0.02...0.09 in. ²) (18...14 AWG)
Solid	0.75...2.5 mm ² (0.02...0.09 in. ²) (18...16 AWG)

Torque/Mounting

Location		Torque
Heads		1.2 N•m (0.86 lb•ft)
Covers		1.6 N•m (1.18 lb•ft)
M5 Mounting		2.5...3.0 N•m (1.84...3.21 lb•ft)
Wire Clamp		0.9...1.0 N•m (0.66...0.74 lb•ft)
Lever Clamp	M5 Hex Screw	1.8 N•m (1.33 lb•ft)
	M3/M4 Hex Screw	1.5 N•m (1.11 lb•ft)
	Adj. Lever Screw	1.0 N•m (0.74 lb•ft)
Conduit		1.0 N•m (0.74 lb•ft)

Rotating Operator Heads

When rotating operator heads, follow these steps:

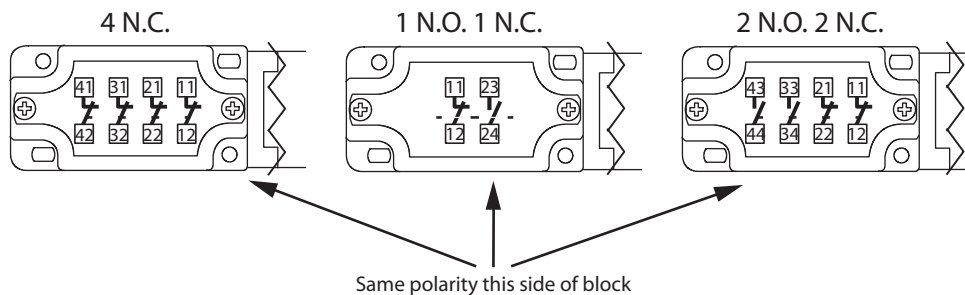
1. Loosen the head mounting screws and remove the operating head from the switch enclosure.

IMPORTANT	Internal operator head components can become dislodged when removing operator heads. Use caution during removal and assembly.
------------------	---

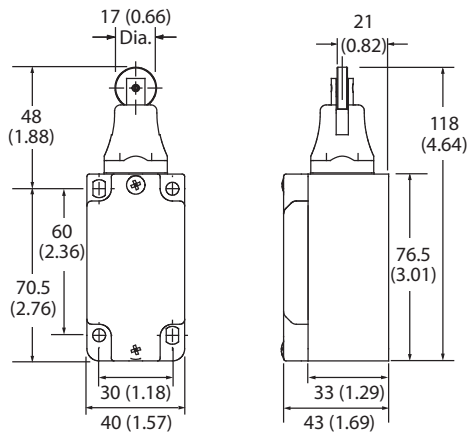
2. Orient the operator head in one of the four positions offered. Make sure the loose parts are positioned correctly before affixing the operator head to the switch enclosure.
3. Tighten the four screws per the recommended torque specifications above.

IMPORTANT	Check for switch operation with a continuity indicator before placing product in service.
------------------	---

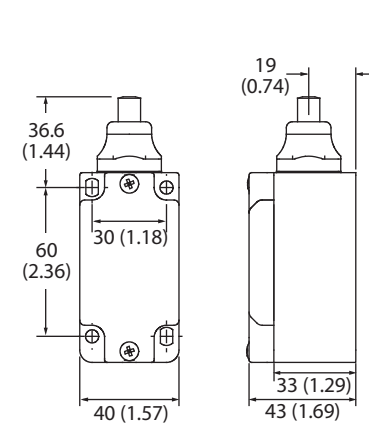
Typical Wiring Diagrams



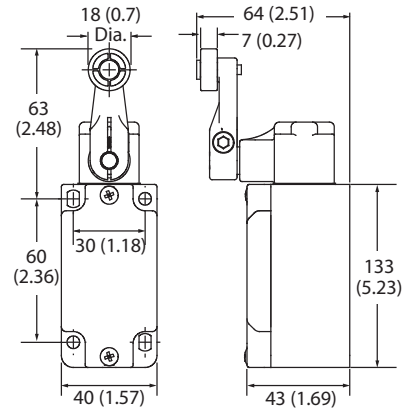
Open Conduit Dimensions [mm (in.)]



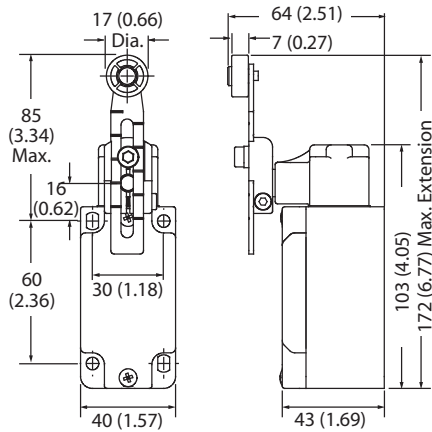
Roller Plunger



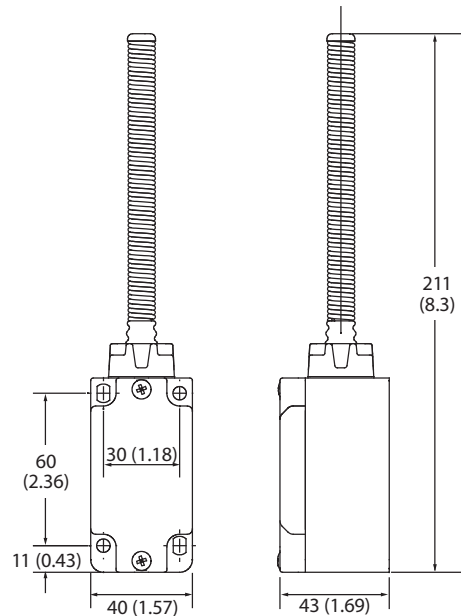
Dome Plunger



Short Lever



Adjustable Lever



Spring Rod

www.rockwellautomation.com

Power, Control and Information Solutions Headquarters

Americas: Rockwell Automation, 1201 South Second Street, Milwaukee, WI 53204-2496 USA, Tel: (1) 414.382.2000, Fax: (1) 414.382.4444

Europe/Middle East/Africa: Rockwell Automation NV, Pegasus Park, De Kleetlaan 12a, 1831 Diegem, Belgium, Tel: (32) 2 663 0600, Fax: (32) 2 663 0640

Asia Pacific: Rockwell Automation, Level 14, Core F, Cyberport 3, 100 Cyberport Road, Hong Kong, Tel: (852) 2887 4788, Fax: (852) 2508 1846

10000237915 Ver 01

June 2012

Copyright © 2012 Rockwell Automation, Inc. All Rights Reserved.