

Network Communication Option Module

20-750-BNETIP, 20-750-DNET, 20-750-PBUS, 20-750-PNET, 20-750-PNET2P, 20-750-CNETC,
20-750-ENETR

Topic	Page
Summary of Changes	1
Product Advisories	1
Install the Network Communication Option Module	2

Summary of Changes

This publication contains the following new or updated information. This list includes substantive updates only and is not intended to reflect all changes. Translated versions are not always available for each revision.

Topic	Page
Added references to PROFINET Network Communication Option Module (20-750-PNET2P)	throughout

Product Advisories



ATTENTION: Risk of injury or death exists. PowerFlex® 750-Series drives may contain high voltages that can cause injury or death. Remove power from the drive, and then verify power has been discharged before removing the drive cover.



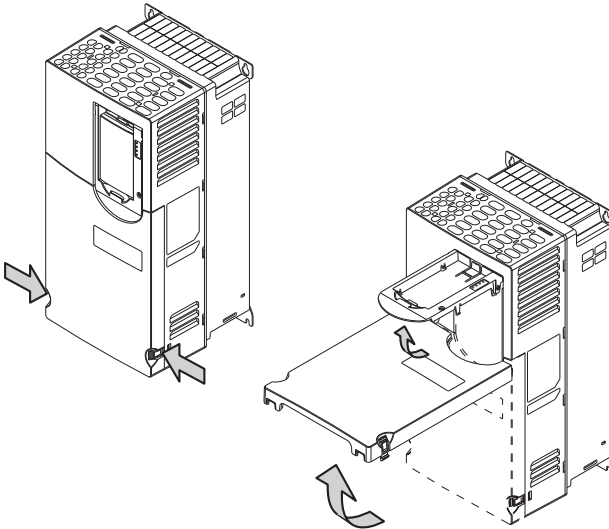
ATTENTION: Risk of equipment damage exists. The network communication option module contains electrostatic discharge (ESD) sensitive parts that can be damaged if you do not follow ESD control procedures. Static control precautions are required when handling the card. If you are unfamiliar with static control procedures, see Guarding Against Electrostatic Damage, publication 8000-4.5.2.

IMPORTANT

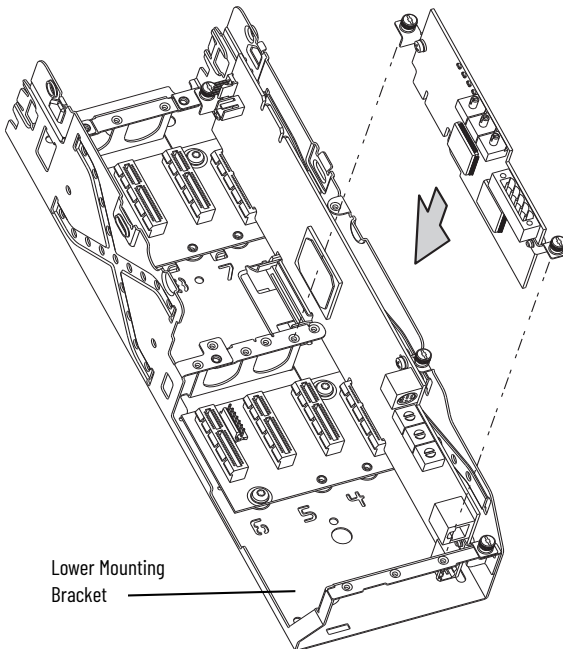
These instructions describe installing the network communication module into the drive. Depending on the type of network communication option module you are installing, additional, important procedures may also need to be performed. See the appropriate user manuals for detailed information about these procedures.

Install the Network Communication Option Module

1. Remove power from the drive.
2. Remove the drive cover and lift up the drive HIM cradle (with or without the HIM installed) to its open position to access the drive control pod.



3. Insert the network communication option module into drive Port 4, 5 or 6. Make sure the module is fully seated into the connector.

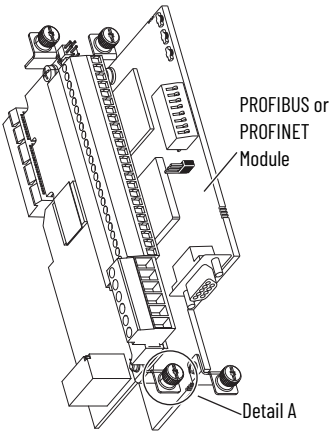


IMPORTANT

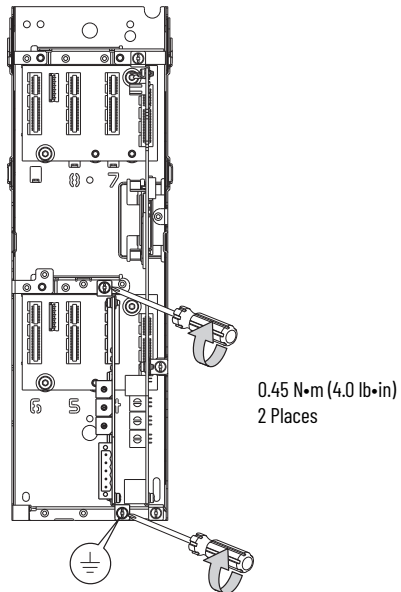
If you are using a PROFIBUS or dual-port PROFINET network communication module (20-750-PBUS or 20-750-PNET2P) with another network communication module that is positioned in the port to the left of the PROFIBUS or PROFINET module, you must replace the T15 Torx screw that holds the other network communication module to the lower mounting bracket.

Replace the T15 Torx screw with a spare T8 Torx screw that is included with PROFIBUS and PROFINET modules. Due to its larger size, it is possible for the T15 Torx screw to come into contact with the PROFIBUS / PROFINET cable connector and cause faulty operation. Using the smaller T8 Torx screw helps eliminate this problem.

Perform [step 4](#) and [step 5](#) if another network communication module is positioned in the port to the left of the PROFIBUS or PROFINET network communication module; otherwise, disregard these steps and go to [step 6](#).



4. Remove the lower T15 Torx mounting screw (Detail A) from the network communication module that is to the left of the PROFIBUS or PROFINET network communication module. To remove the captive T15 Torx screw, the module must be removed to back the screw out of the mounting clip.
5. Replace the larger T15 Torx screw with the smaller spare T8 Torx mounting screw that was shipped with the PROFIBUS or PROFINET network communication module.
6. Tighten both of the option module mounting screws to the pod mounting bracket to properly ground the module to the drive. Tighten both screws to the recommended torque shown in the following figure.



Additional Resources

These documents contain additional information concerning related products from Rockwell Automation.

Resource	Description
PowerFlex 20-750-BNETIP BACnet/IP Option Module User Manual, publication 750COM-UM005	Provides information about using the PowerFlex 20-750-BNETIP BACnet/IP Option Module
PowerFlex 20-750-CNETC Coaxial ControlNet Option Module User Manual, publication 750COM-UM003	Provides information about using the PowerFlex Coaxial ControlNet Option Module
PowerFlex 20-750-DNET DeviceNet Option Module User Manual, publication 750COM-UM002	Provides information about using the PowerFlex DeviceNet Option Module
PowerFlex 20-750-ENETR Dual-port EtherNet/IP Option Module, publication 750COM-UM008	Provides information about using the PowerFlex 20-750-ENETR Dual-port EtherNet/IP Option Module
PowerFlex 20-750-PBUS Profibus DPV1 Option Module User Manual, publication 750COM-UM004	Provides information about using the PowerFlex Profibus DPV1 Option Module
PowerFlex PROFINET Single- and Dual-port Option Modules User Manual, publication 750COM-UM007B	Provides information about using the PowerFlex PROFINET Single- and Dual-port Option Modules
Industrial Automation Wiring and Grounding Guidelines, publication 1770-4.1	Provides general guidelines for installing a Rockwell Automation industrial system.
Product Certifications website, rok.auto/certifications .	Provides declarations of conformity, certificates, and other certification details.

You can view or download publications at [rok.auto/literature](#).

Waste Electrical and Electronic Equipment (WEEE)







At the end of life, this equipment should be collected separately from any unsorted municipal waste.

Rockwell Automation maintains current product environmental information on its website at [rok.auto/pec](#).

Your comments help us serve your documentation needs better. If you have any suggestions on how to improve our content, complete the form at [rok.auto/docfeedback](#).

For technical support, visit [rok.auto/support](#).

Rockwell Otomasyon Ticaret A.Ş. Kar Plaza İş Merkezi E Blok Kat:6 34752, İçerenköy, İstanbul, Tel: +90 (216) 5698400 EEE
YÖnetmeliğine Uygundur

Connect with us.    

[rockwellautomation.com](#) — expanding **human possibility**[™]

AMERICAS: Rockwell Automation, 1201 South Second Street, Milwaukee, WI 53204-2496 USA, Tel: (1) 414.382.2000, Fax: (1) 414.382.4444

EUROPE/MIDDLE EAST/AFRICA: Rockwell Automation NV, Pegasus Park, De Kleetlaan 12a, 1831 Diegem, Belgium, Tel: (32) 2 863 0600, Fax: (32) 2 863 0640

ASIA PACIFIC: Rockwell Automation, Level 14, Core F, Cyberport 3, 100 Cyberport Road, Hong Kong, Tel: (852) 2887 4788, Fax: (852) 2508 1846

Allen-Bradley, expanding human possibility, PowerFlex, and Rockwell Automation are trademarks of Rockwell Automation, Inc.
Trademarks not belonging to Rockwell Automation are property of their respective companies.



PN-595013

Publication 750COM-IN002C-EN-P - July 2020 | Supersedes Publication 750COM-IN002B-EN-P - September 2012

Copyright © 2020 Rockwell Automation, Inc. All rights reserved. Printed in the U.S.A.