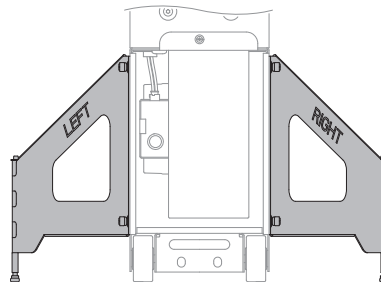


# PowerFlex 755TM Power and Filter Module Storage Hardware

Catalog Number 20-750-MINV-ATIP



The PowerFlex® 755TM Power and Filter Module storage hardware is designed to help stabilize IGBT power modules and LCL filter modules during storage.

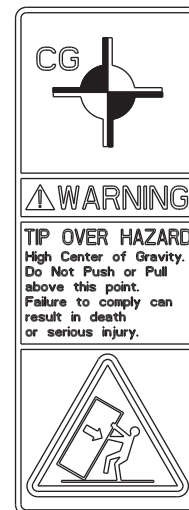
## Module Handling



**ATTENTION:** IGBT power and LCL filter modules have a high center of gravity and a tip-over hazard exists. To guard against death, serious personal injury, or equipment damage, do not subject the module to high rates of acceleration or deceleration while transporting. Do not push or pull above the points indicated on the module.

- Do not use this storage hardware to transport modules.
- Module wheels are designed for module installation and removal only. Do not use module wheels for transport.
- Only use the PowerFlex 750-Series service cart (20-750-MCART1) to transport individual PowerFlex 755TM modules.
- See the PowerFlex 750-Series Service Cart Instructions, publication [750-IN105](#) for information on cart setup and use.

This label, affixed to the module chassis, identifies the center of gravity.



## Module Storage

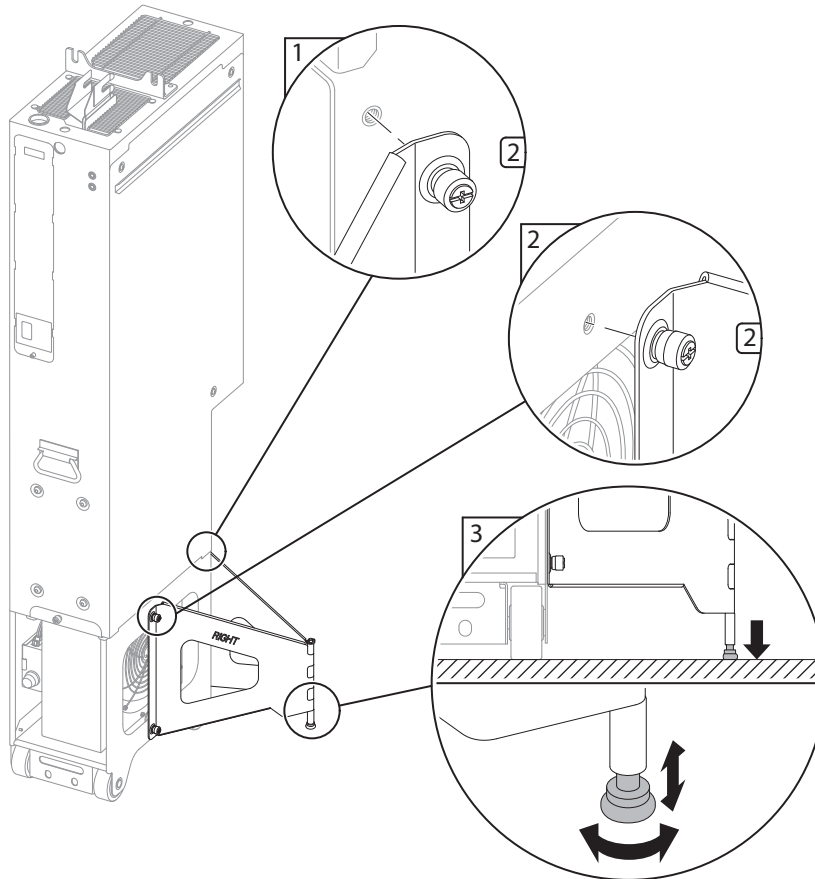
Choose a suitable storage location for the module.

- Surrounding atmosphere **must not** contain volatile or corrosive gas, vapors, or dust.
- Surrounding atmosphere **must not** contain conductive pollutants.
- Surrounding air temperature is -40...+70 °C (-40...+158 °F).
- Do not store modules in active isles or work areas.
- Store modules on a smooth and level surface clear of debris and obstacles.
- Avoid sloped and rough surfaces.

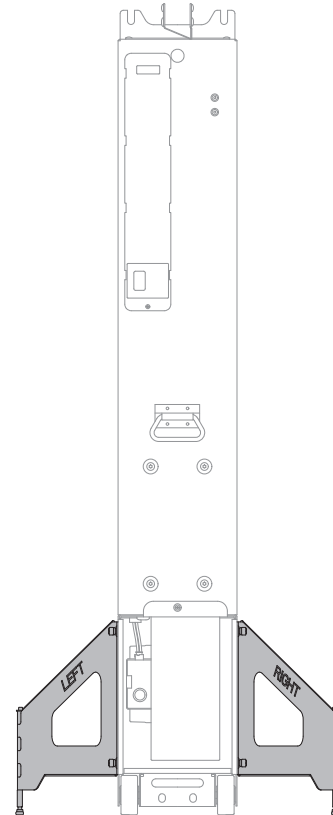
## Installation

Perform the following steps with the module in its final storage location.

1. Align one of the supports to the threaded mounting holes on the back of module and hand tighten the captive thumb screws.
2. Hand tighten the two captive thumb screws that thread into the side wall of the module. Repeat these steps with the remaining support.
3. Rotate the adjustable feet on each support counter-clockwise until the feet touch the floor.  
**Note:** Raise the feet before you reposition the module or remove the supports.



Front View  
Module with storage hardware installed.



## Rockwell Automation Support

For technical support, visit <http://www.rockwellautomation.com/support/overview.page>.

Rockwell Automation maintains current product environmental information on its website at <http://www.rockwellautomation.com/rockwellautomation/about-us/sustainability-ethics/product-environmental-compliance.page>.

Allen-Bradley, PowerFlex, Rockwell Automation, and Rockwell Software are trademarks of Rockwell Automation, Inc. Trademarks not belonging to Rockwell Automation are property of their respective companies.

Rockwell Otomasyon Ticaret A.Ş., Kar Plaza İş Merkezi E Blok Kat:6 34752 İçerenköy, İstanbul, Tel: +90 (216) 5698400

[www.rockwellautomation.com](http://www.rockwellautomation.com)

### Power, Control and Information Solutions Headquarters

Americas: Rockwell Automation, 1201 South Second Street, Milwaukee, WI 53204-2496 USA, Tel: (1) 414.382.2000, Fax: (1) 414.382.4444  
Europe/Middle East/Africa: Rockwell Automation NV, Pegasus Park, De Kleetlaan 12a, 1831 Diegem, Belgium, Tel: (32) 2 663 0600, Fax: (32) 2 663 0640  
Asia Pacific: Rockwell Automation, Level 14, Core F, Cyberport 3, 100 Cyberport Road, Hong Kong, Tel: (852) 2887 4788, Fax: (852) 2508 1846



PN-358143