



## PowerFlex 755TM AC Precharge Modules Unpacking and Lifting Instructions

Catalog Numbers 20-750-MACP-CD-F8M, 20-750-MACP-E-F8M, 20-750-MACP-F-F8M, 20-750-MACP-CD-F9M, 20-750-MACP-E-F9M, 20-750-MACP-F-F9M

Topic	Page
Summary of Changes	1
Before You Begin	1
Unpack and Inspect the Module	1
Read the Lifting Precautions	2
Module Weights	2
Lift the Module	2
Additional Resources	3

### Summary of Changes

This publication contains the following new or updated information. This list includes substantive updates only and is not intended to reflect all changes.

Topic	Page
Updated the Unpack and Inspect the Module instructions to remove desiccant packages.	1

### Before You Begin

Complete these tasks before you unpack and lift an AC precharge module out of the shipping container.

- Prepare all equipment and hardware that is used to lift the module. A hoist, straps, and J-hooks with a lockable clasp capable of supporting the maximum module weight are recommended. See Module Weights on page 2.
- Install the other required IP00/Open Type kits in the enclosure before you install an AC precharge module. See the PowerFlex® 755TM IP00 Open Type Kits Installation Instructions, publication [750-IN101](#), for details.

### Unpack and Inspect the Module

Upon delivery, follow these steps to unpack, and inspect the module.

---

**IMPORTANT** Delivery of equipment from Rockwell Automation to the carrier is considered delivery to the buyer. The carrier becomes liable for any damage that occurs during transit. It is the responsibility of the buyer to notify the proper party if damage is found. The buyer can forfeit any right to recovery for loss or damages by failing to comply with these steps.

---

1. Inspect the shipping container for any damage that occurred during transit.
2. Remove the cover of the shipping container.
3. Remove the protective packing materials and desiccant packages.
4. Inspect the module for any damage.
5. If damage to the module exists, contact the carrier that delivered the shipment and your Rockwell Automation sales representative to schedule an inspection.
6. Retain all product packaging for review by the carrier.

## Read the Lifting Precautions

Read these precautions before attempting to lift an AC precharge module.



- ATTENTION:** All equipment and hardware that is used to lift the module must be properly sized and rated to lift and hold the weight of the module safely. To guard against possible personal injury or equipment damage:
- Inspect all hardware for proper attachment before a module is lifted.
  - Do not allow any part of the module or lift equipment to contact electrically charged conductors or components.
  - Do not subject the module to high rates of acceleration or deceleration during a lift or transportation.
  - Do not allow personnel or their limbs directly beneath the module during a lift.

## Module Weights

All lifting equipment must support these approximate maximum AC precharge module weights.

Module Cat. No.	Approximate Maximum Weight kg (lb)
20-750-MACP-xx-F8M	41 (90)
20-750-MACP-xx-F9M	132 (290)

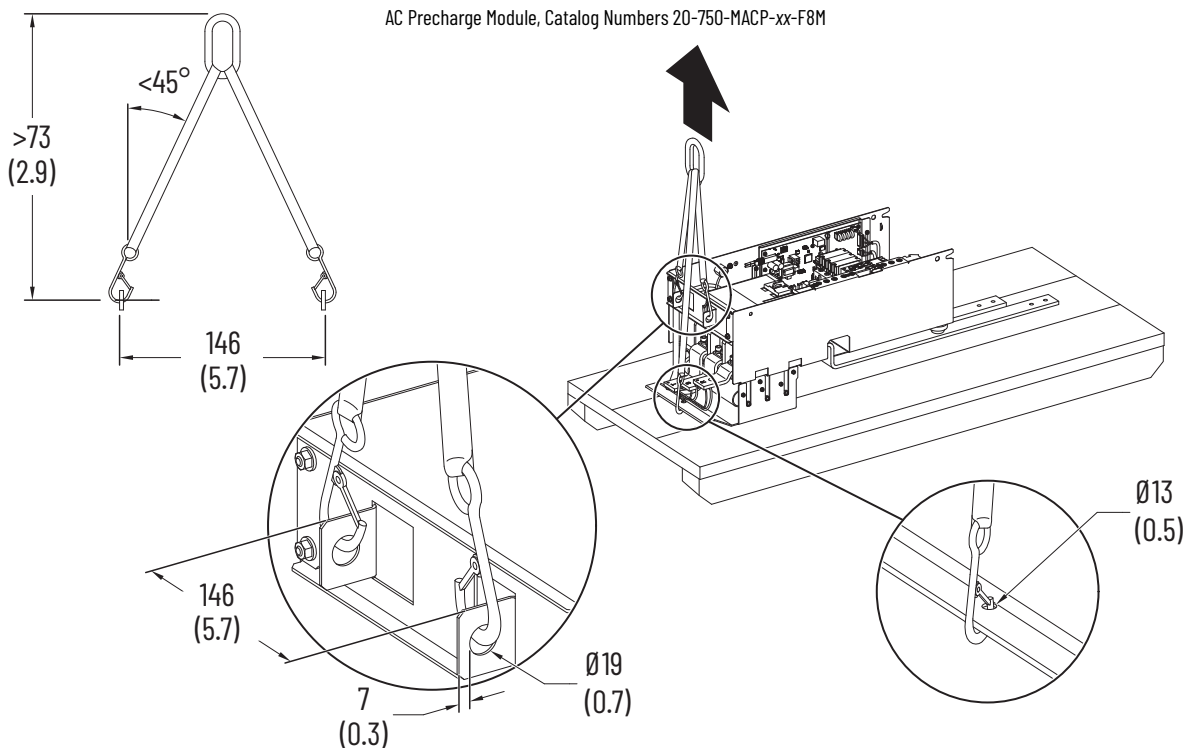
## Lift the Module

Follow these steps to lift the module.

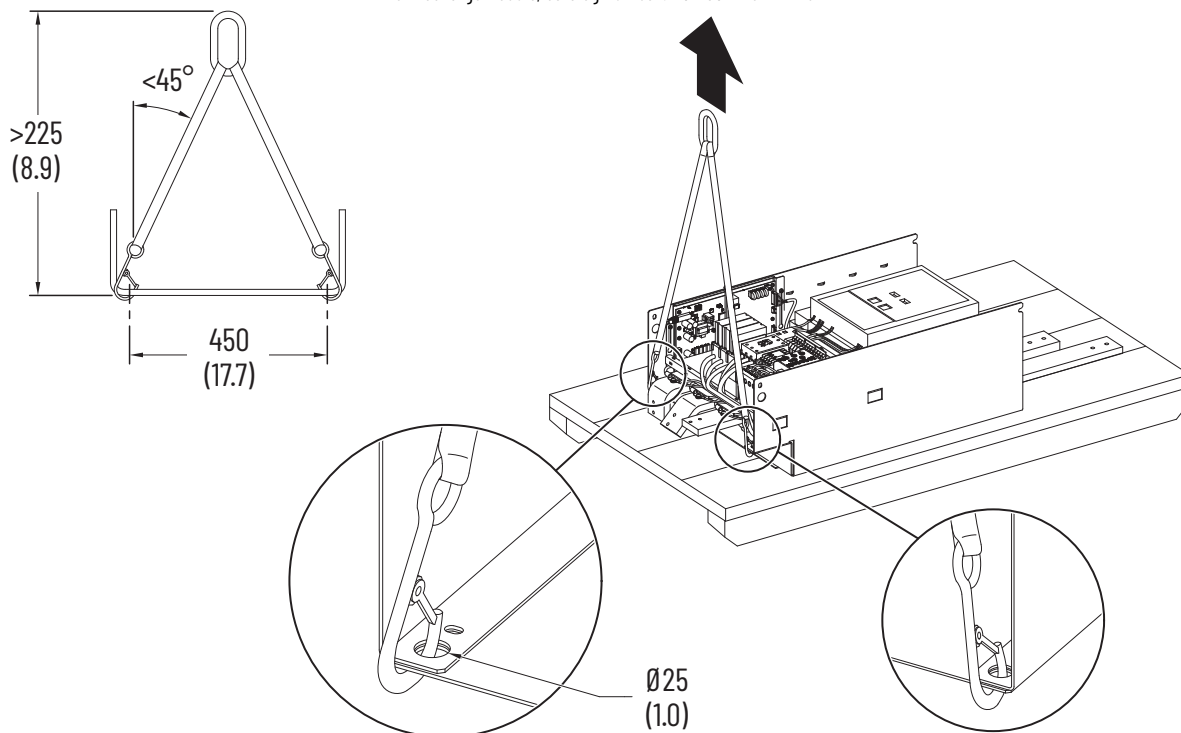
1. Insert and secure the appropriate hardware in the designated lifting holes (as identified in the illustrations).



**ATTENTION:** To guard against equipment damage, verify that the hardware is securely connected to the correct lifting holes in the module as shown.



AC Precharge Module, Catalog Numbers 20-750-MACP-xx-F9M



Dimensions are in millimeters and (inches).

**IMPORTANT** When approaching the full upright (vertical) position, the weight can shift and cause the module to swing unexpectedly. Control the movement of the module as it is lifted from the shipping container.

2. Slowly lift the module to an upright position and carefully transport the module to the installation location.

## Additional Resources

These documents contain additional information concerning related products from Rockwell Automation.

Resource	Description
PowerFlex 755TM IPO0 Open Type Kits Technical Data, publication <a href="#">750-TD101</a>	Provides detailed information on: <ul style="list-style-type: none"> <li>• Kit selection</li> <li>• Kit ratings and specifications</li> <li>• Option specifications</li> </ul>
PowerFlex 755TM IPO0 Open Type Kits Installation Instructions, publication <a href="#">750-IN101</a>	Provides instructions to install IPO0 Open Type kits in user-supplied enclosures.
PowerFlex 750-Series Products with TotalFORCE Control Hardware Service Manual, publication <a href="#">750-TG100</a>	Provides detailed information on: <ul style="list-style-type: none"> <li>• Preventive maintenance</li> <li>• Component testing</li> <li>• Hardware replacement procedures</li> </ul>
Industrial Automation Wiring and Grounding Guidelines, publication <a href="#">1770-4.1</a>	Provides general guidelines for installing a Rockwell Automation industrial system.
Product Certifications website, <a href="http://rok.auto/certifications">rok.auto/certifications</a>	Provides declarations of conformity, certificates, and other certification details.

You can view or download publications at [rok.auto/literature](http://rok.auto/literature).

# Rockwell Automation Support

Use these resources to access support information.

<b>Technical Support Center</b>	Find help with how-to videos, FAQs, chat, user forums, and product notification updates.	<a href="http://rok.auto/support">rok.auto/support</a>
<b>Knowledgebase</b>	Access Knowledgebase articles.	<a href="http://rok.auto/knowledgebase">rok.auto/knowledgebase</a>
<b>Local Technical Support Phone Numbers</b>	Locate the telephone number for your country.	<a href="http://rok.auto/phonesupport">rok.auto/phonesupport</a>
<b>Literature Library</b>	Find installation instructions, manuals, brochures, and technical data publications.	<a href="http://rok.auto/literature">rok.auto/literature</a>
<b>Product Compatibility and Download Center (PCDC)</b>	Download firmware, associated files (such as AOP, EDS, and DTM), and access product release notes.	<a href="http://rok.auto/pcdc">rok.auto/pcdc</a>

## Documentation Feedback

Your comments help us serve your documentation needs better. If you have any suggestions on how to improve our content, complete the form at [rok.auto/docfeedback](http://rok.auto/docfeedback).

## Waste Electrical and Electronic Equipment (WEEE)







At the end of life, this equipment should be collected separately from any unsorted municipal waste.

Rockwell Automation maintains current product environmental compliance information on its website at [rok.auto/pec](http://rok.auto/pec).

Your comments help us serve your documentation needs better. If you have any suggestions on how to improve our content, complete the form at [rok.auto/docfeedback](http://rok.auto/docfeedback).

For technical support, visit [rok.auto/support](http://rok.auto/support).

Rockwell Otomasyon Ticaret A.Ş. Kar Plaza İş Merkezi E Blok Kat:6 34752 Çeremköy, İstanbul, Tel: +90 (216) 5698400 EEE Yönetmeliğine Uygundur

Connect with us.    

[rockwellautomation.com](http://rockwellautomation.com)

expanding human possibility™

AMERICAS: Rockwell Automation, 1201 South Second Street, Milwaukee, WI 53204-2496 USA, Tel: (1) 414.382.2000, Fax: (1) 414.382.4444

EUROPE/MIDDLE EAST/AFRICA: Rockwell Automation NV, Pegasus Park, De Kleetlaan 12a, 1831 Diegem, Belgium, Tel: (32) 2 663 0600, Fax: (32) 2 663 0640

ASIA PACIFIC: Rockwell Automation, Level 14, Core F, Cyberport 3, 100 Cyberport Road, Hong Kong, Tel: (852) 2887 4788, Fax: (852) 2508 1846

Allen-Bradley, expanding human possibility, PowerFlex, and Rockwell Automation are trademarks of Rockwell Automation, Inc. Trademarks not belonging to Rockwell Automation are property of their respective companies.

Publication 750-IN102B-EN-P - June 2020 | Supersedes Publication 750-IN102A-EN-P-April 2016  
Copyright © 2020 Rockwell Automation, Inc. All rights reserved. Printed in the U.S.A.



PN-591652