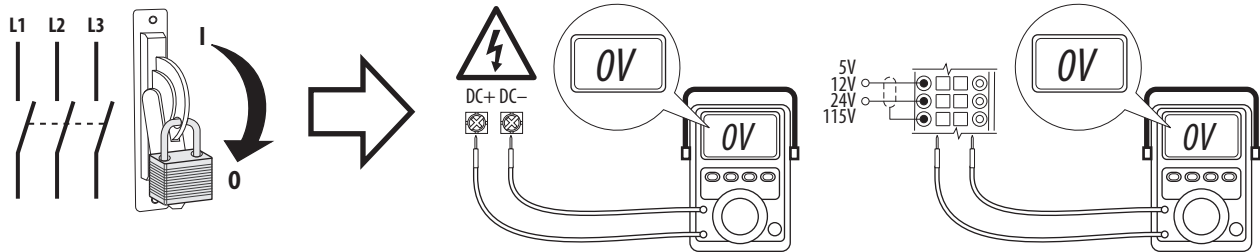
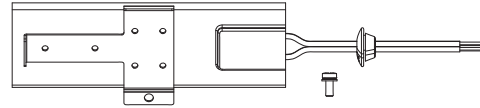


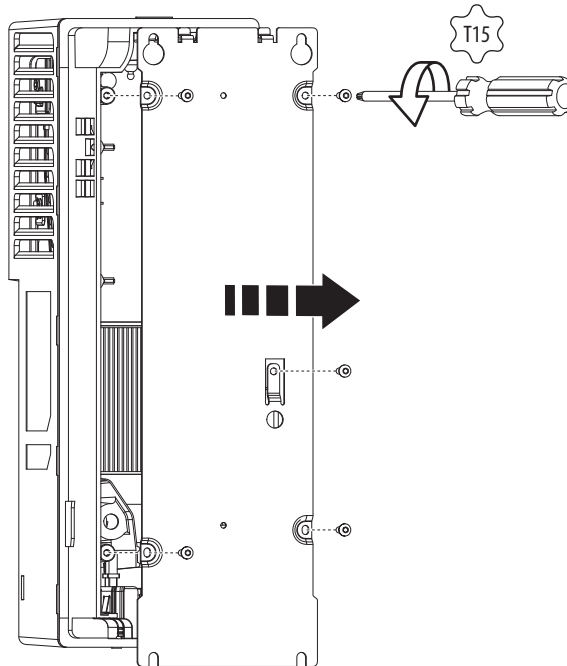
PowerFlex 750-Series Internal Brake Resistor

Cat. No.	21K-750-DB45-D2
Electrical Rating	45 Ohms, 50 Watts
Compatible Drives	Only install in: 20F11NC022JA0NNNNN 20G11NC022JA0NNNNN
Certification	c-UL-us Listed

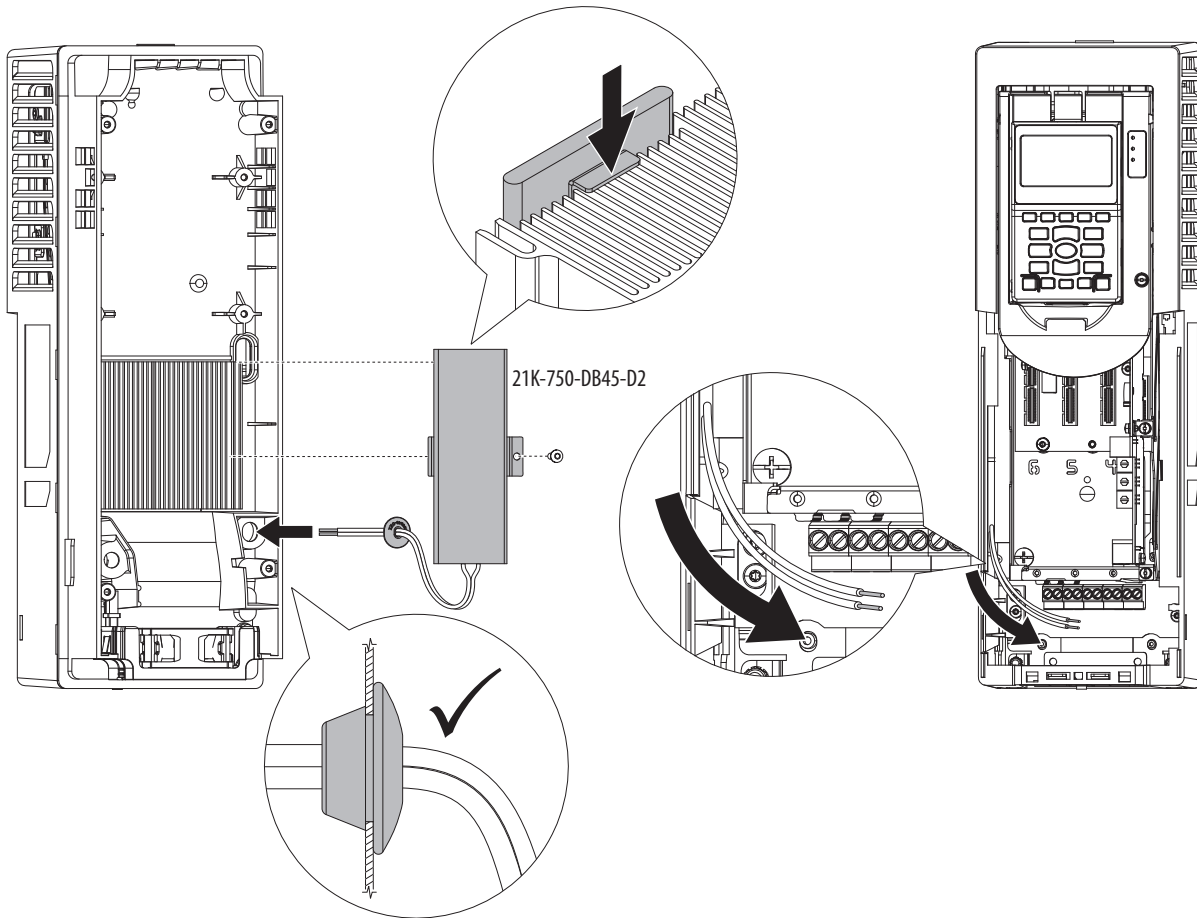


Install the Resistor

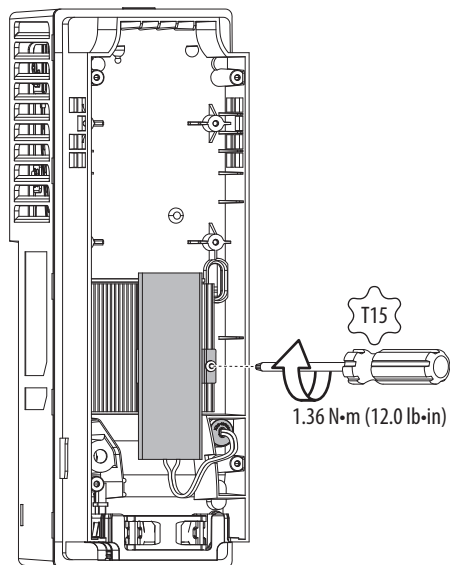
1. Remove the back panel from the drive.



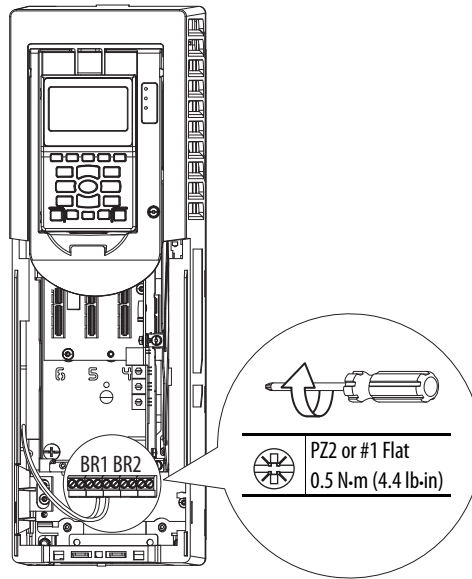
2. Pass the wires through the hole in the drive chassis.
3. Press the grommet in place.



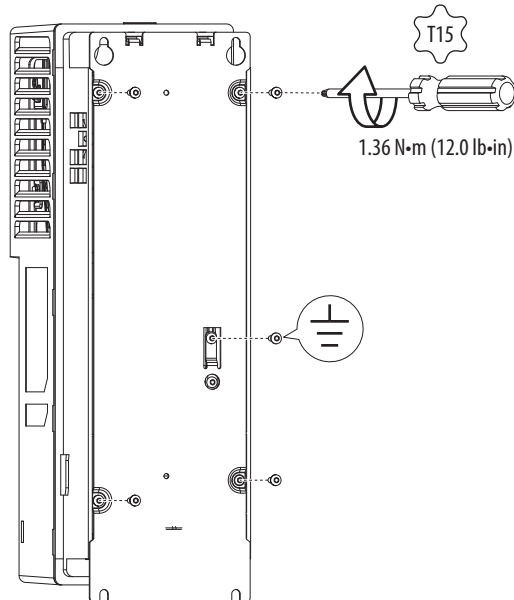
4. Position the resistor against the heat sink.
5. Secure with the screw provided.



6. Connect the wires to terminals BR1 and BR2.



7. Reinstall the back panel.



Configure Drive

Set the following parameters to configure the drive to use the 21K-750-DB45-D2 dynamic brake resistor with a compatible PowerFlex 750-Series AC Drive (Cat. No. 20x11NC022JA0NNNNN Only).



ATTENTION: Risk of equipment damage exists due to incorrect drive configuration. Be sure drive parameter settings match those listed in the parameter settings table below. These settings are required when using the 21K-750-DB45-D2 resistor for your specific application.

Parameter Settings

Parameter No.	Parameter Name	Setting
372	Bus Reg Mode A	2 "Dyn Brake"
373	Bus Reg Mode B	2 "Dyn Brake"
382	DB Resistor Type	1 "External"
383	DB Ext Ohms	45 Ohms
384	DB Ext Watts	50 Watts
385	DB ExtPulseWatts	1000 Watts
426	Regen Power Lmt	-200%

U.S. Allen-Bradley Drives Technical Support - Tel: (1) 262.512.8176, Fax: (1) 262.512.2222, E-mail: support@drives.ra.rockwell.com,
Online: www.ab.com/support/abdrives



PN-223184

www.rockwellautomation.com

Power, Control and Information Solutions Headquarters

Americas: Rockwell Automation, 1201 South Second Street, Milwaukee, WI 53204-2496 USA, Tel: (1) 414.382.2000, Fax: (1) 414.382.4444

Europe/Middle East/Africa: Rockwell Automation, Pegasus Park, De Kleetlaan 12a, 1831 Diegem, Belgium, Tel: (32) 2 663 0600, Fax: (32) 2 663 0640

Asia Pacific: Rockwell Automation, Level 14, Core F, Cyberport 3, 100 Cyberport Road, Hong Kong, Tel: (852) 2887 4788, Fax: (852) 2508 1846