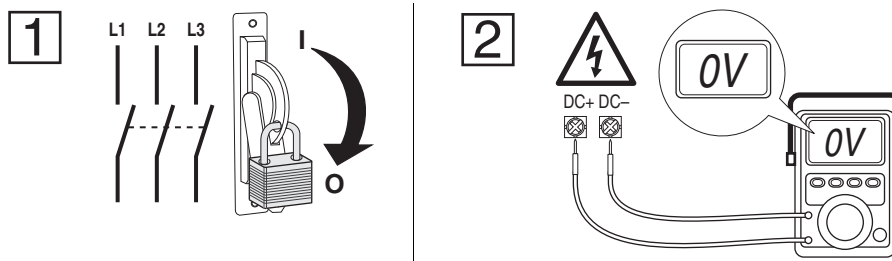


PowerFlex 755 Inverter Output EMC Core – Frames 8...10

Refer to the PowerFlex 750-Series Installation Instructions, publication 750-IN001 for information on removing the drive from the cabinet and power disconnection.

A Frame 8 drive is shown below. Use the same procedure for each drive unit on a Frame 9 or Frame 10 PowerFlex 755.

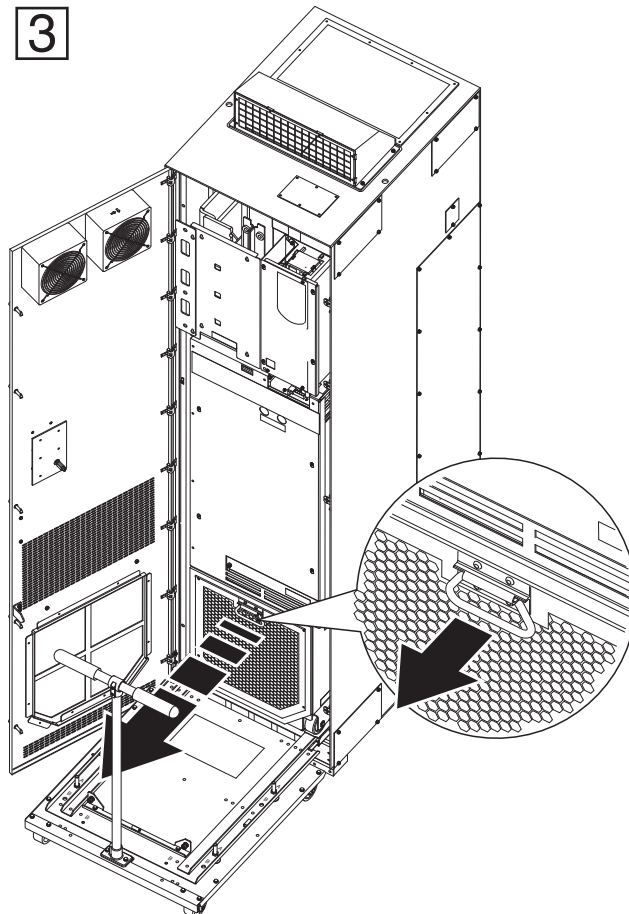


3

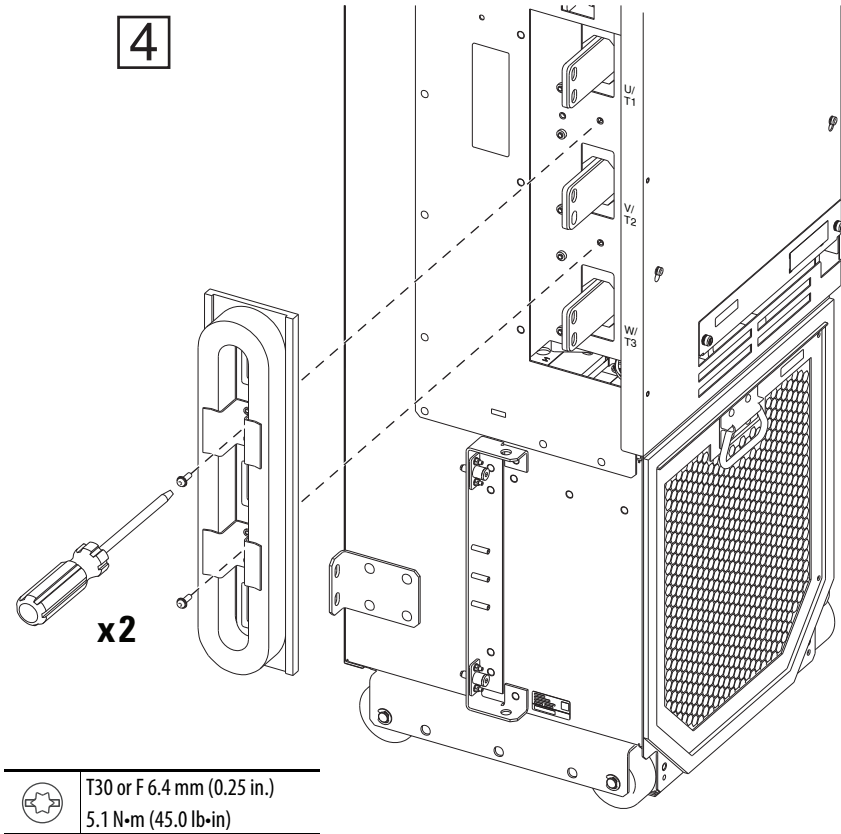
CG

WARNING

TIP OVER HAZARD
High Center of Gravity. Do Not Push or Pull above this point. Failure to comply can result in death or serious injury.



IMPORTANT Grounding and Power Jumper Configuration must be appropriate for EMC applications. Refer to “Drive Power Jumper Configuration” in the PowerFlex 750-Series Installation Instructions (Publication 750-IN001) for detailed information.



U.S. Allen-Bradley Drives Technical Support - Tel: (1) 262.512.8176, Fax: (1) 262.512.2222, E-mail: support@drives.ra.rockwell.com
Online: www.ab.com/support/abdrives

Allen-Bradley, Rockwell Software, and Rockwell Automation are trademarks of Rockwell Automation, Inc.
Trademarks not belonging to Rockwell Automation are property of their respective companies.



PN-189786

www.rockwellautomation.com

Power, Control and Information Solutions Headquarters

Americas: Rockwell Automation, 1201 South Second Street, Milwaukee, WI 53204-2496 USA, Tel: (1) 414.382.2000, Fax: (1) 414.382.4444
Europe/Middle East/Africa: Rockwell Automation NV, Pegasus Park, De Kleetlaan 12a, 1831 Diegem, Belgium, Tel: (32) 2 663 0600, Fax: (32) 2 663 0640
Asia Pacific: Rockwell Automation, Level 14, Core F, Cyberport 3, 100 Cyberport Road, Hong Kong, Tel: (852) 2887 4788, Fax: (852) 2508 1846

Publication 750-IN018C-MU-P - January 2013
Supersedes Publication 750-IN018B-MU-P - November 2012

PN-189786
Copyright © 2013 Rockwell Automation, Inc. All rights reserved. Printed in the U.S.A.