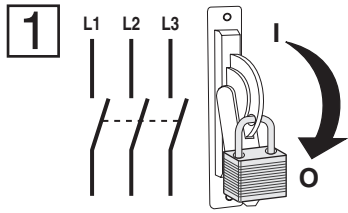


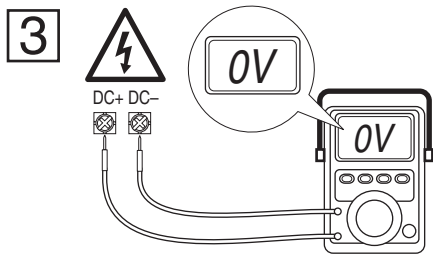
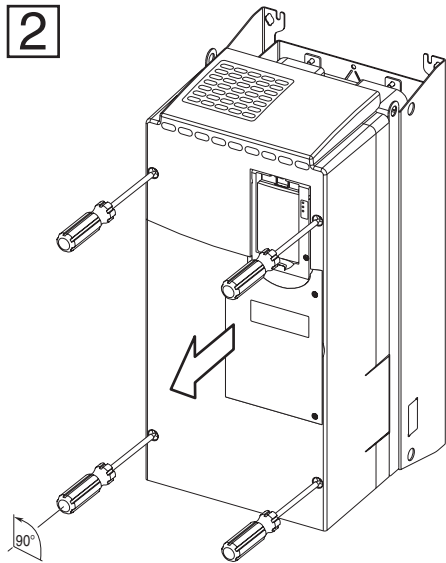


PowerFlex 750-Series Flange Adapter – Frames 6 and 7

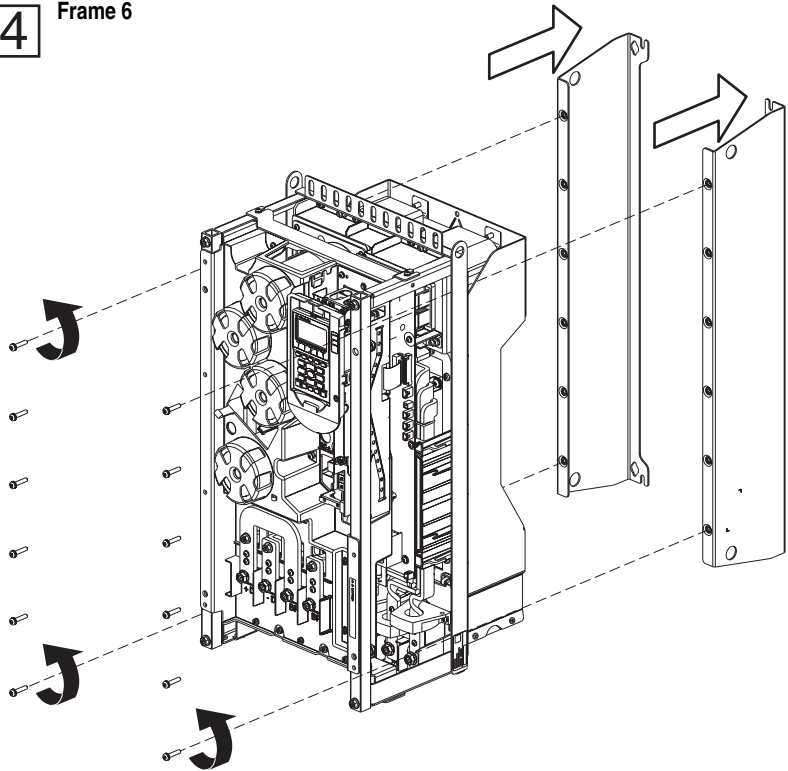
20-750-FLNG4-F6 (Frame 6), 20-750-FLNG4-F7 (Frame 7)



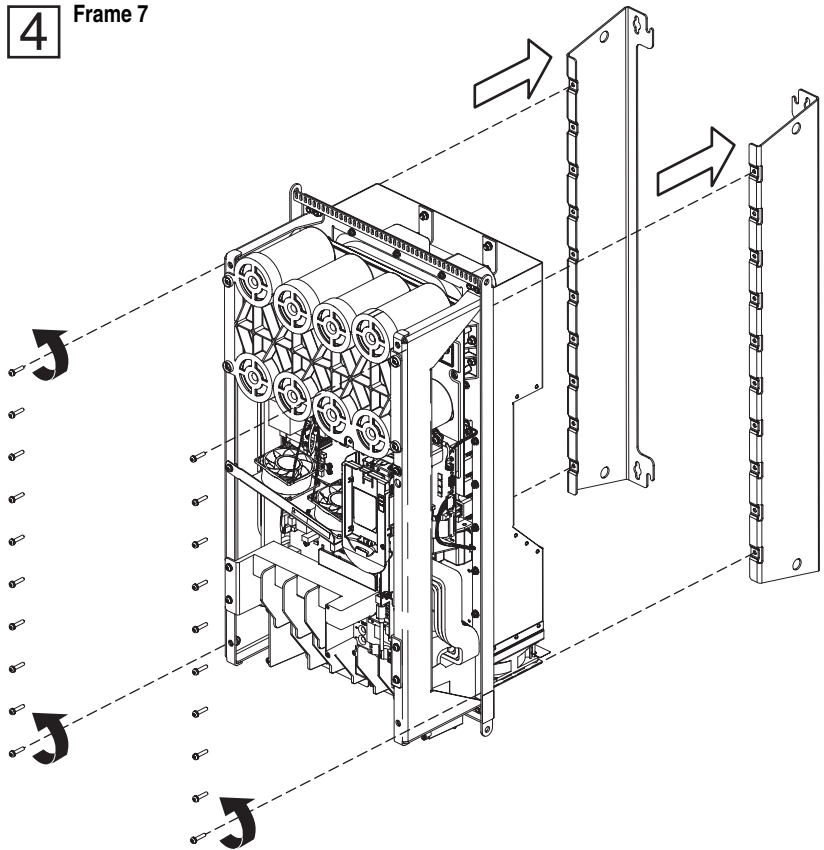
Frames 6 & 7 (Frame 6 Shown)



4 Frame 6

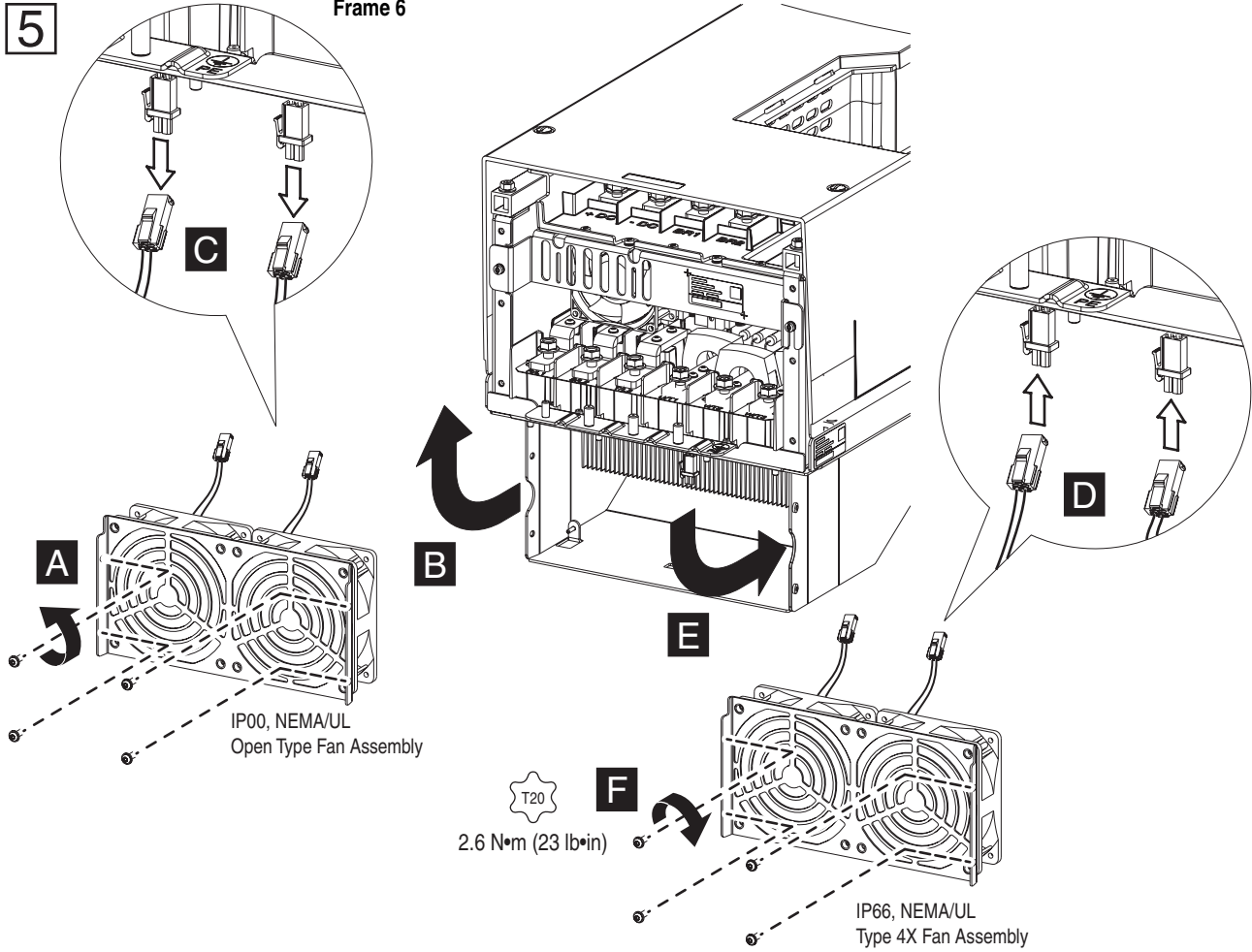


4 Frame 7

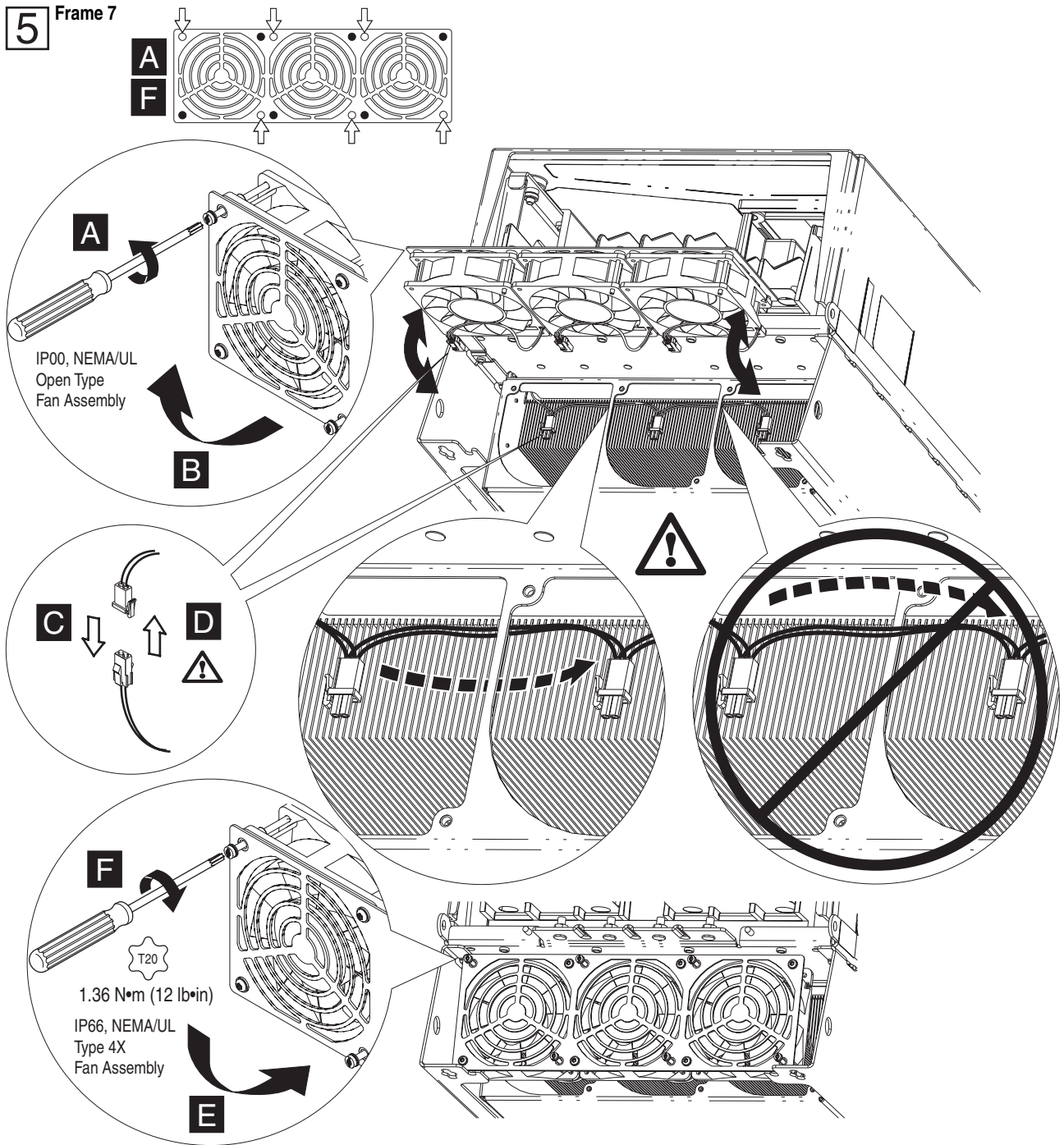


5

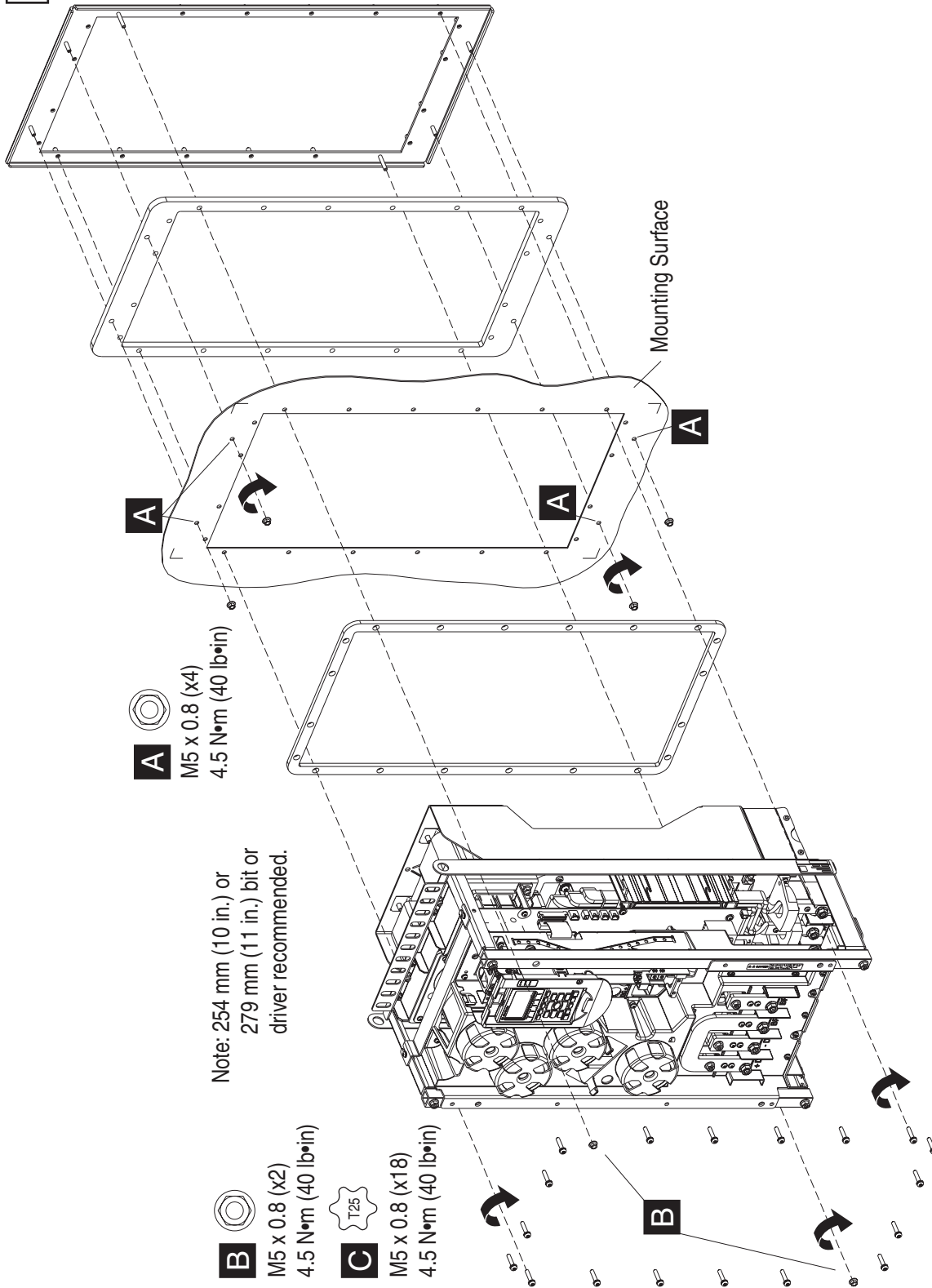
Frame 6



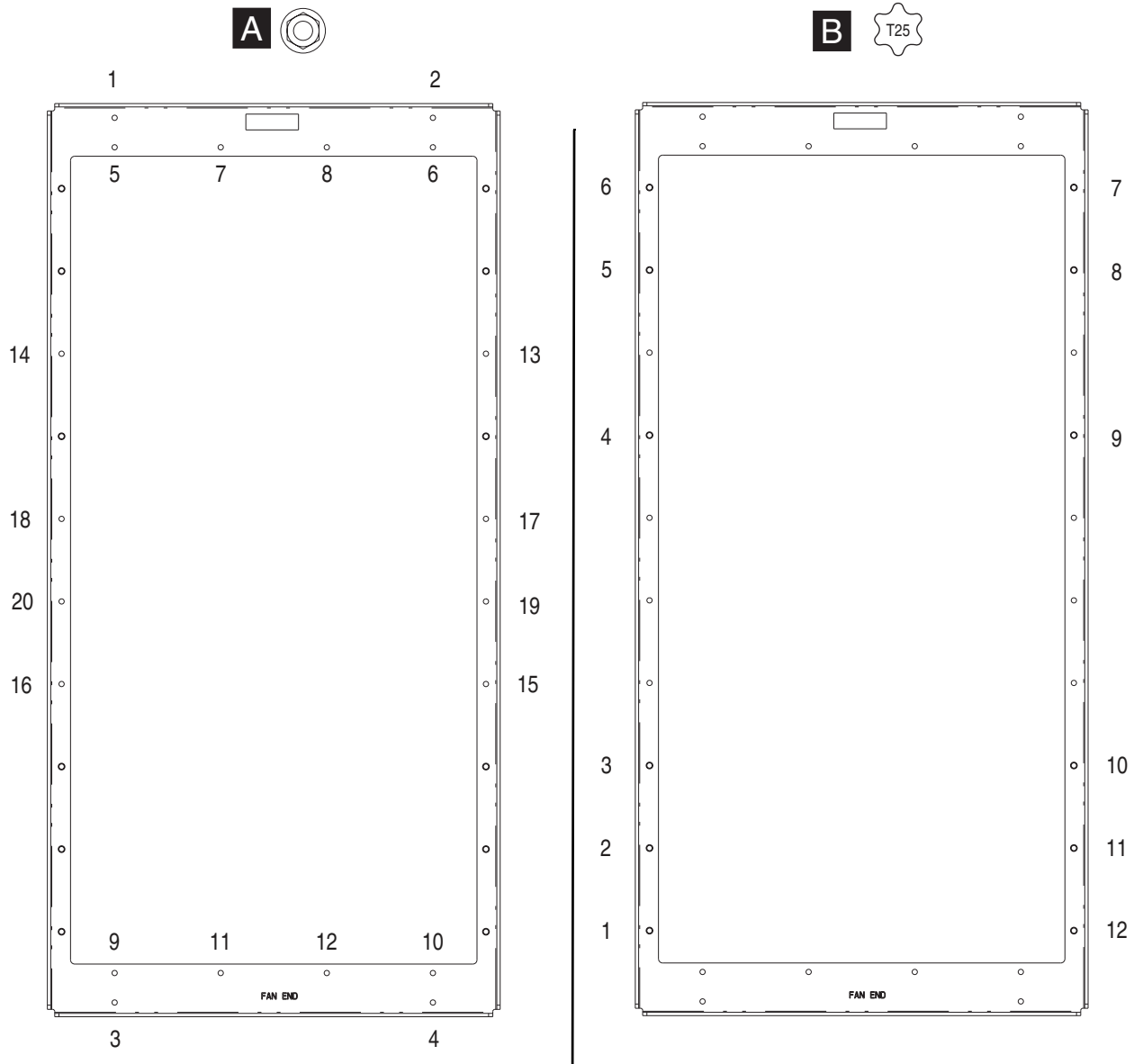
5 Frame 7



6 Frame 6



Frame 7 Tightening Sequence



PN-66822

www.rockwellautomation.com

Power, Control and Information Solutions Headquarters

Americas: Rockwell Automation, 1201 South Second Street, Milwaukee, WI 53204 USA, Tel: (1) 414.382.2000, Fax: (1) 414.382.4444

Europe/Middle East/Africa: Rockwell Automation, Vorstlaan/Boulevard du Souverain 36, 1170 Brussels, Belgium, Tel: (32) 2 663 0600, Fax: (32) 2 663 0640

Asia Pacific: Rockwell Automation, Level 14, Core F, Cyberport 3, 100 Cyberport Road, Hong Kong, Tel: (852) 2887 4788, Fax: (852) 2508 1846

Publication 750-IN005C-MU-P – January 2010
Supersedes 750-IN005B-MU-P - November 2009

Copyright © 2010 Rockwell Automation, Inc. All rights reserved. Printed in USA.