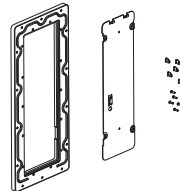


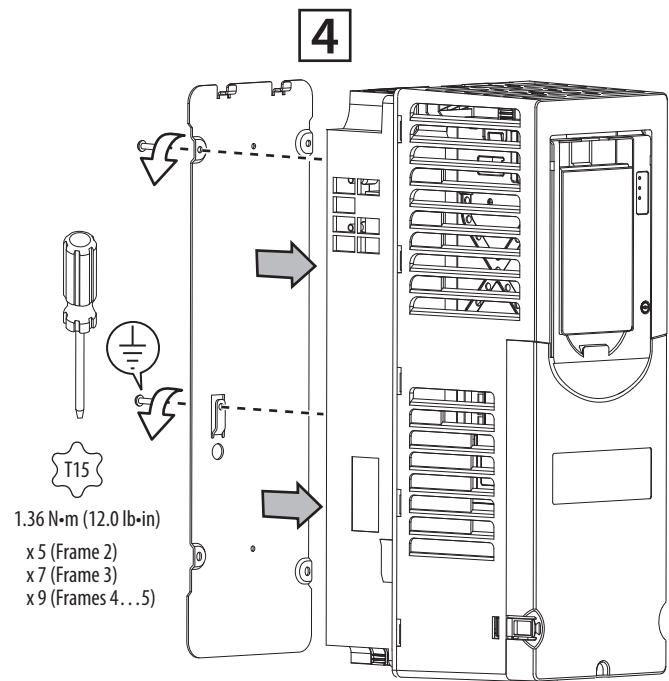
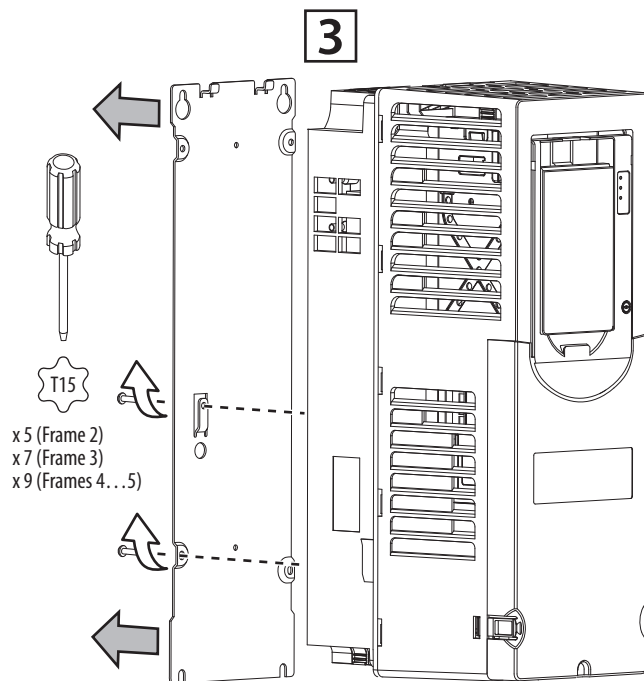
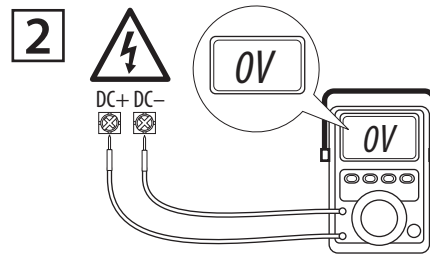
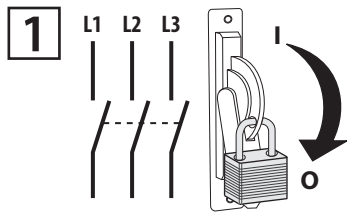
# PowerFlex 750-Series Flange Adapter Kit

IP20, NEMA / UL Type 0 & 1, Frames 2...5

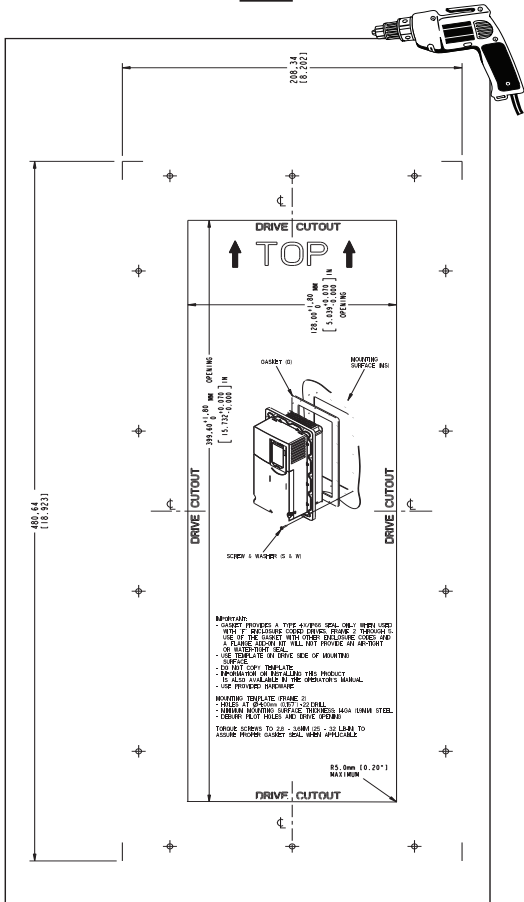
- 20-750-FLNG1-F2
- 20-750-FLNG1-F3
- 20-750-FLNG1-F4
- 20-750-FLNG1-F5



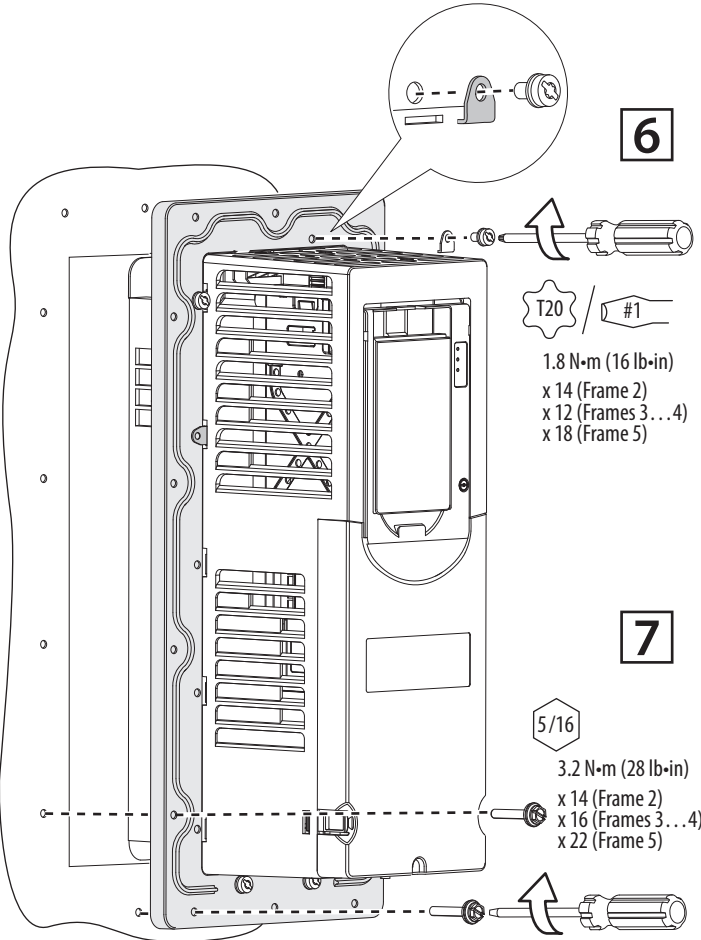
**IMPORTANT** This kit is for use with IP20, NEMA / UL Type 0 drives and **will not** provide an air-tight or water-tight seal. For frames 2...5, "F" enclosure coded drives must be used where sealing is required (for example, contaminated, dirty, or wet environments).



5



6



7

Rockwell Automation maintains current product environmental information on its website at <http://www.rockwellautomation.com/rockwellautomation/about-us/sustainability-ethics/product-environmental-compliance.page>.

Allen-Bradley, Rockwell Automation, and Rockwell Software are trademarks of Rockwell Automation, Inc. Trademarks not belonging to Rockwell Automation are property of their respective companies.

Rockwell Otomasyon Ticaret A.Ş., Kar Plaza İş Merkezi E Blok Kat:6 34752 İçerenköy, İstanbul, Tel: +90 (216) 5698400

[www.rockwellautomation.com](http://www.rockwellautomation.com)

**Power, Control and Information Solutions Headquarters**

Americas: Rockwell Automation, 1201 South Second Street, Milwaukee, WI 53204-2496 USA, Tel: (1) 414.382.2000, Fax: (1) 414.382.4444  
 Europe/Middle East/Africa: Rockwell Automation NV, Pegasus Park, De Kleetlaan 12a, 1831 Diegem, Belgium, Tel: (32) 2 663 0600, Fax: (32) 2 663 0640  
 Asia Pacific: Rockwell Automation, Level 14, Core F, Cyberport 3, 100 Cyberport Road, Hong Kong, Tel: (852) 2887 4788, Fax: (852) 2508 1846



PN-323038

Publication 750-IN004B-MU-P - July 2015

Supersedes Publication 750-IN004A-MU-P - December 2008

Copyright © 2015 Rockwell Automation, Inc. All rights reserved. Printed in the U.S.A.