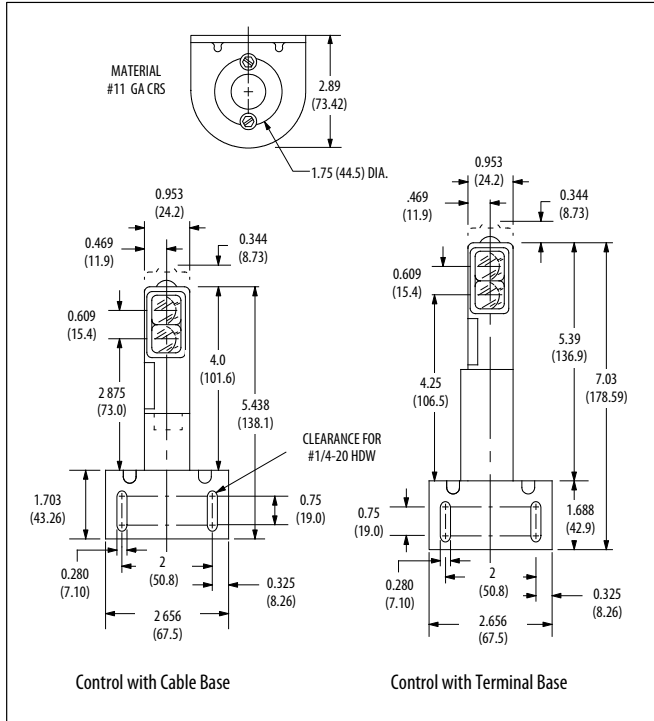


# INSTALLATION INSTRUCTIONS PHOTOSWITCH® MOUNTING ASSEMBLIES FOR SERIES 5000 CONTROLS

**IMPORTANT: SAVE THESE INSTRUCTIONS FOR FUTURE USE.**

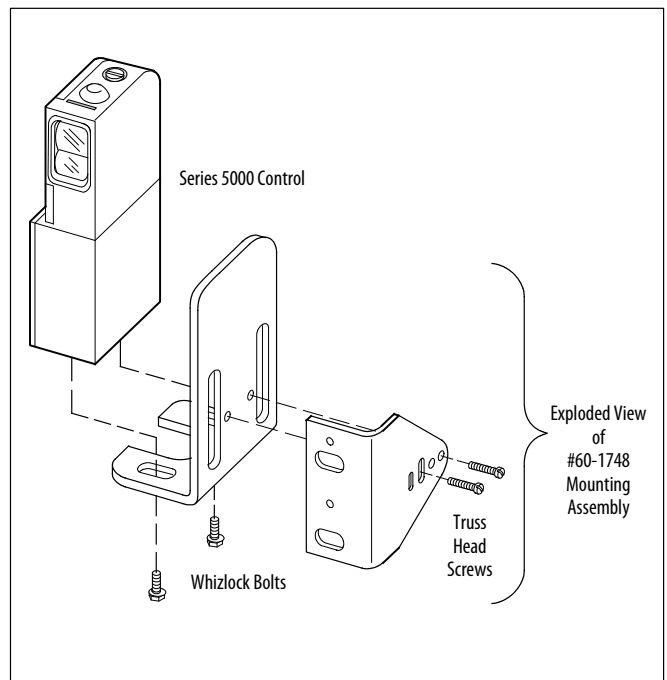
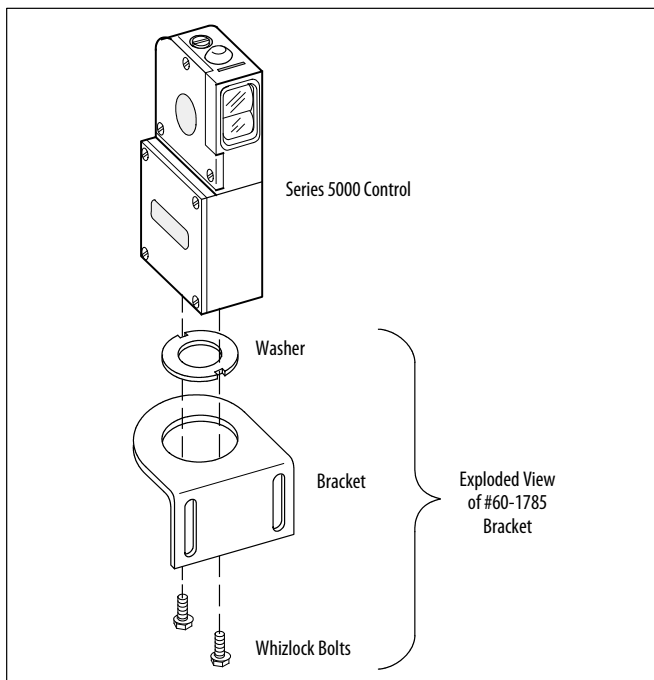
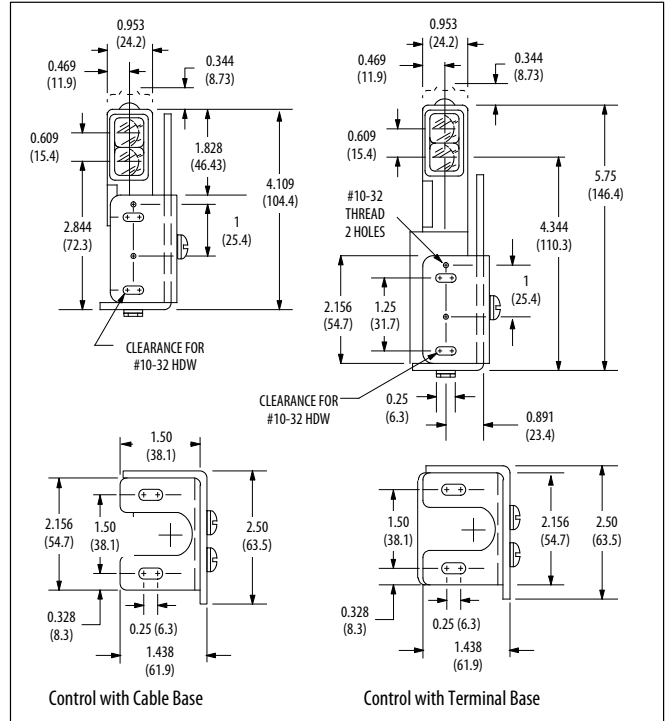
## GENERAL PURPOSE MOUNTING ASSEMBLY #60-1785

#60-1785 provides the most flexible means of base mounting for the Series 5000 Control in most industrial environments. The unique combination of mounting bracket and inner ring allows vertical and 360° horizontal adjustment for mounting and aligning the Series 5000 Control.



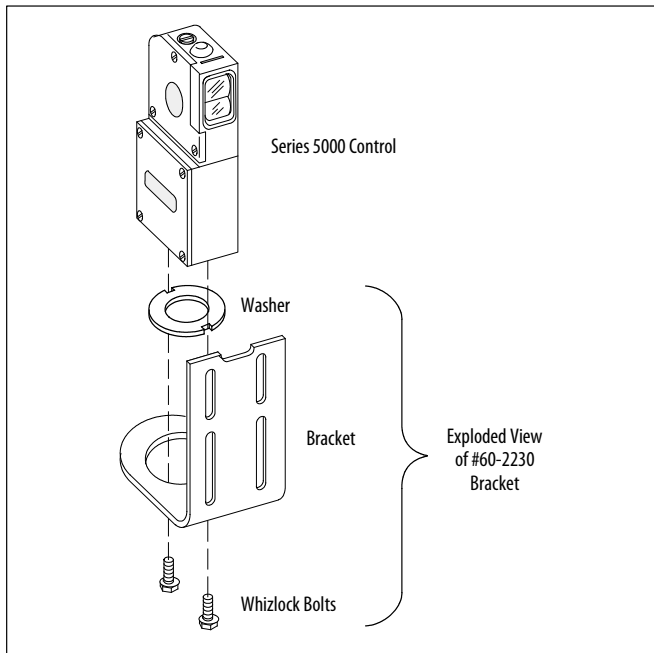
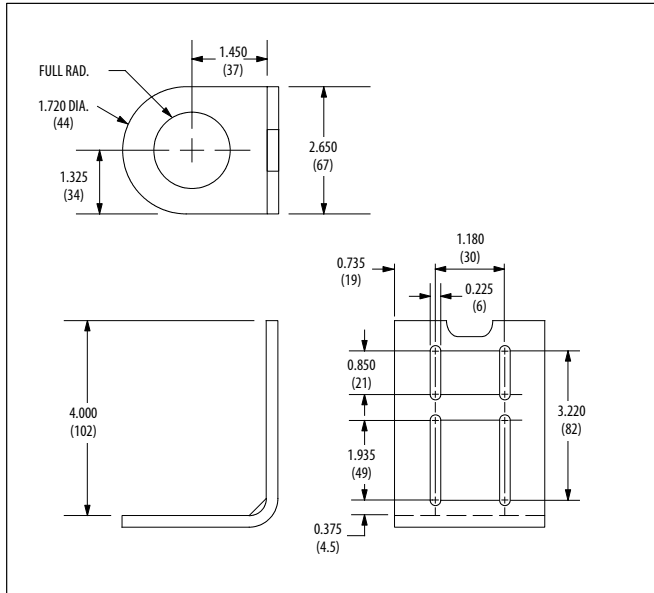
## HEAVY DUTY MOUNTING ASSEMBLY #60-1748

#60-1748 Heavy Duty Mounting Assembly is recommended for installations where vibration and shock-prone environments require special mountings for control protection. The Heavy Duty Mounting Assembly secures the control at two points and still provides easy access for wiring, vertical adjustment, and tilt.



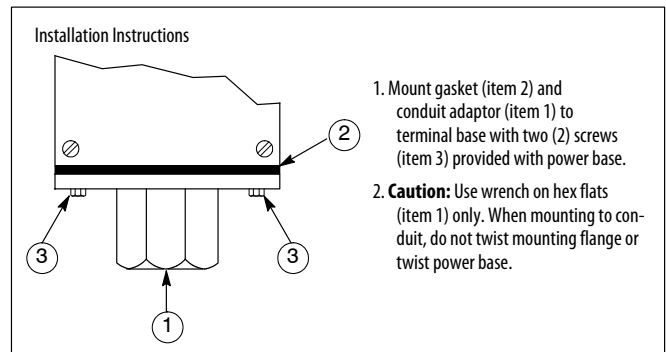
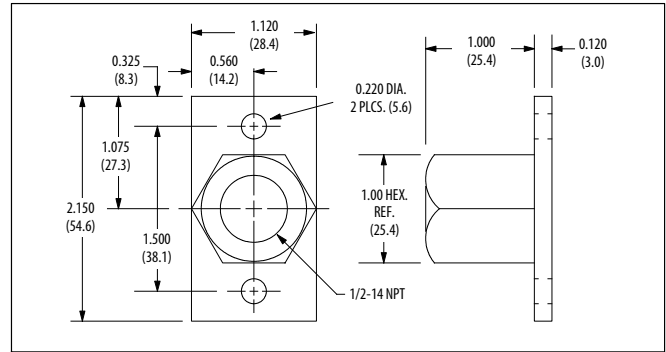
**LIMIT SWITCH TYPE MOUNTING ASSEMBLY #60-2230**

**#60-2230** Limit Switch Type Mounting Bracket combines the possibility of mounting the bracket using standard limits with mounting holes with a 360° horizontal adjustment for aligning the Series 5000 Control.



**CONDUIT MOUNTING ADAPTOR #60-2213**

**#60-2213** Conduit Mounting Adaptor is recommended for installation where the controls will be mounted directly on 1/2 inch conduit. Two Whiz Lock type screws secure the control to the adaptor while the gasket between the control and adaptor maintain the NEMA 4 rating.



1. Mount gasket (item 2) and conduit adaptor (item 1) to terminal base with two (2) screws (item 3) provided with power base.
2. **Caution:** Use wrench on hex flats (item 1) only. When mounting to conduit, do not twist mounting flange or twist power base.

**ARMoured CABLE ADAPTOR #60-1577**

**#60-1577** Armoured Cable Adaptor is recommended for use with all Series 5000 Cable Base where protection against mechanical damage to the PVC cable is required. 10 ft. (3m) of armoured cable is supplied.

