

# Mounting Brackets

Catalog Numbers 60-BDMS-PS, 60-BDMS-RS

**IMPORTANT** Save these instructions for future use.

## Description

Catalog number 60-BDMS-PS is a stainless steel mounting bracket that is designed for the precision adjustment of the Bulletin 45DMS distance measurement sensors. The bracket securely holds the sensor with the sensor dovetail mounting feature for added application flexibility.

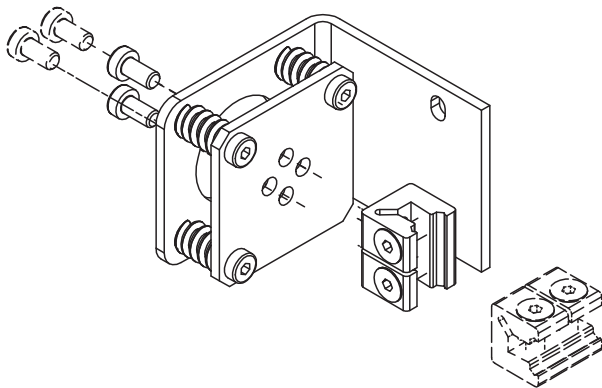
Catalog number 60-BDMS-RS is a zinc die cast mounting bracket that is designed for the installation of the Bulletin 45DMS sensor on 12 mm (0.47 in.) diameter mounting rods or 10 x 10 mm (0.39 x 0.39 in.) mounting profiles.

## Installation

To install the 60-BDMS-PS mounting bracket (included), you must perform these steps:

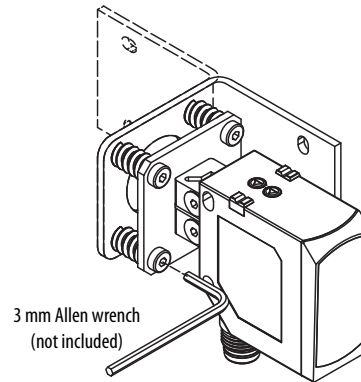
1. Attach the dovetail mounting bracket to the 60-BDMS-PS mounting plate.

**Figure 1 - Dovetail Mounting**



2. To mount the sensor on the dovetail, use the three adjustment screws to align the sensor light spot to the object.

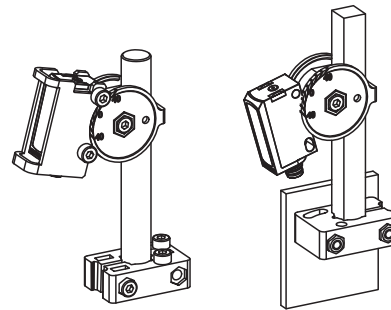
**Figure 2 - Mount Sensor on Dovetail**



To install the 60-BDMS-PS bracket, you must perform these steps:

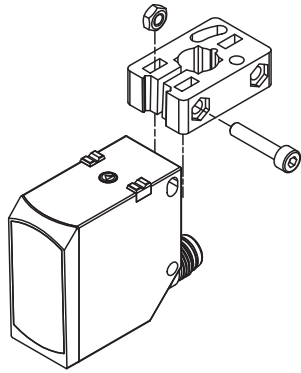
1. Attach the dovetail mounting to the 60-BDMS-RS mounting rod.

**Figure 3 - Dovetail Mounted to Cat. No. 60-BDMS-RS Mounting Rod**



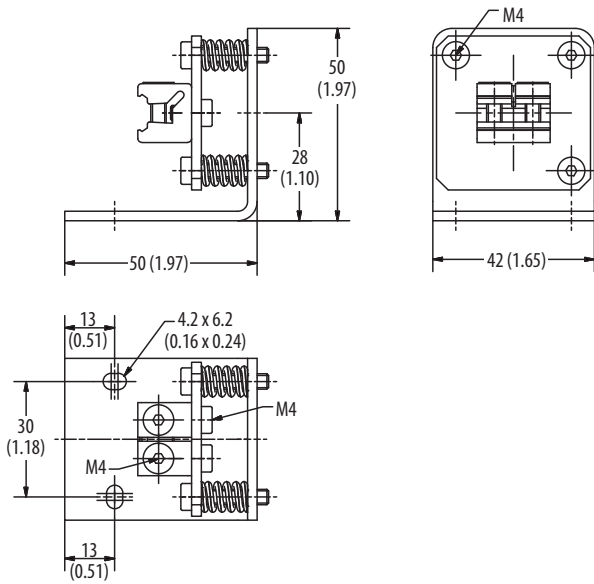
2. Insert the sensor with the dovetail into the groove of the mounting component and secure the sensor with an M4 screw as shown in [Figure 4 on page 2](#).

**Figure 4 - Dovetail Inserted into Groove of Mounting Component**

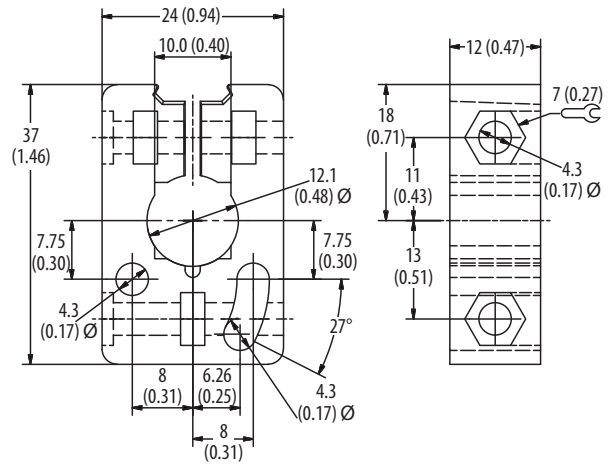


**Dimensions [mm (in.)]**

**Figure 5 - 60-BDMS-PS Mounting Bracket**



**Figure 6 - 60-BDMS-RS Mounting Bracket**



**Rockwell Automation Support**

For technical support, visit <http://www.rockwellautomation.com/support/overview.page>.

**Waste Electrical and Electronic Equipment (WEEE)**



At the end of life, this equipment should be collected separately from any unsorted municipal waste.

Rockwell Automation maintains current product environmental information on its website at <http://www.rockwellautomation.com/rockwellautomation/about-us/sustainability-ethics/product-environmental-compliance.page>.

Allen-Bradley, Rockwell Automation, and Rockwell Software are trademarks of Rockwell Automation, Inc. Trademarks not belonging to Rockwell Automation are property of their respective companies.

Rockwell Otomasyon Ticaret A.Ş., Kar Plaza İş Merkezi E Blok Kat:6 34752 İçerenköy, İstanbul, Tel: +90 (216) 5698400

**www.rockwellautomation.com**

**Power, Control and Information Solutions Headquarters**

Americas: Rockwell Automation, 1201 South Second Street, Milwaukee, WI 53204-2496 USA, Tel: (1) 414.382.2000, Fax: (1) 414.382.4444  
 Europe/Middle East/Africa: Rockwell Automation NV, Pegasus Park, De Kleetlaan 12a, 1831 Diegem, Belgium, Tel: (32) 2 663 0600, Fax: (32) 2 663 0640  
 Asia Pacific: Rockwell Automation, Level 14, Core F, Cyberport 3, 100 Cyberport Road, Hong Kong, Tel: (852) 2887 4788, Fax: (852) 2508 1846