

Installation Instructions

Original Instructions



Allen-Bradley
by ROCKWELL AUTOMATION



GuardShield Safety Light Curtain Status Light

Catalog Number 450L-AMUT-IL



ATTENTION: Disconnect from power source to prevent electrical shock before installing or servicing. Check power supply voltage and frequency.

Summary of Changes

This publication contains an updated [Figure 3](#).

Mounting

Figure 1 - Mounting (Bracket)

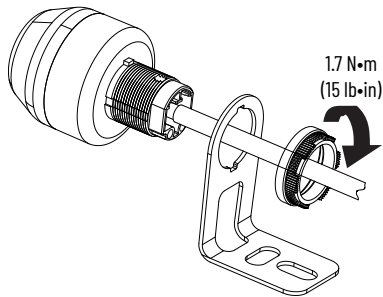


Figure 2 - Mounting Bracket Dimensions [mm (in.)]

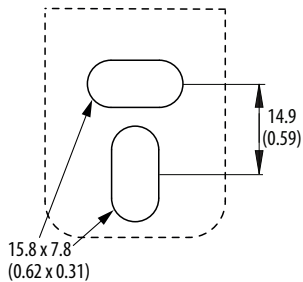
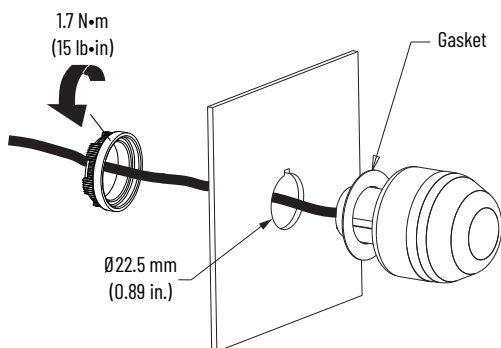
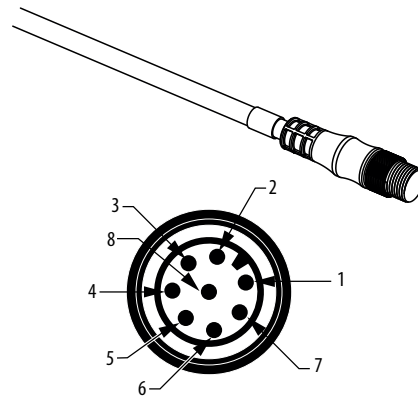


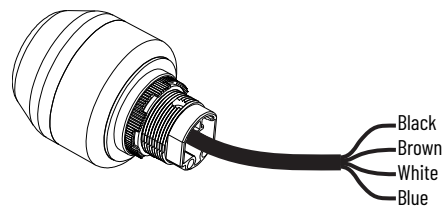
Figure 3 - Mounting (Panel)



Wiring



Pin	Description
1	Red
4	Green
7	Common
8	Yellow



Lamp Color	Cable Color			
	Black	Brown	White	Blue
Red	X	X	—	—
Yellow	X	—	X	—
Green	X	—	—	X



ATTENTION: Do not operate two or three colors at the same time for more than 5 minutes.

Specifications

Attribute	450L-AMUT-IL
Certifications	CE Marked, c-UL-us
Operating temperature	-30...+ 45 °C (-22...+113 °F)
Ingress protection	IP65/67, UL Type 1

Waste Electrical and Electronic Equipment (WEEE)







At the end of life, this equipment should be collected separately from any unsorted municipal waste.

Rockwell Automation maintains current product environmental compliance information on its website at rok.auto/pec.

Your comments help us serve your documentation needs better. If you have any suggestions on how to improve our content, complete the form at rok.auto/docfeedback.

For technical support, visit rok.auto/support.

Rockwell Otomasyon Ticaret A.Ş. Kar Plaza İş Merkezi E Blok Kat:6 34752 İçerenköy, İstanbul, Tel: +90 (216) 5698400 EEE Yönetmeliğine Uygundur

Connect with us.    

rockwellautomation.com

expanding **human possibility**[™]

AMERICAS: Rockwell Automation, 1201 South Second Street, Milwaukee, WI 53204-2496 USA, Tel: (1) 414.382.2000, Fax: (1) 414.382.4444

EUROPE/MIDDLE EAST/AFRICA: Rockwell Automation NV, Pegasus Park, De Kleetlaan 12a, 1831 Diegem, Belgium, Tel: (32) 2 663 0600, Fax: (32) 2 663 0640

ASIA PACIFIC: Rockwell Automation, Level 14, Core F, Cyberport 3, 100 Cyberport Road, Hong Kong, Tel: (852) 2887 4788, Fax: (852) 2508 1846

Allen-Bradley, expanding human possibility, Guardmaster, GuardShield, and Rockwell Automation are trademarks of Rockwell Automation, Inc. Trademarks not belonging to Rockwell Automation are property of their respective companies.

Publication 450L-IN007B-EN-P - August 2020 | Supersedes Publication 450L-IN007A-EN-P - May 2020
Copyright © 2020 Rockwell Automation, Inc. All rights reserved. Printed in the U.S.A.

10005549098 Ver 01