

# Installation Instructions

Original Instructions

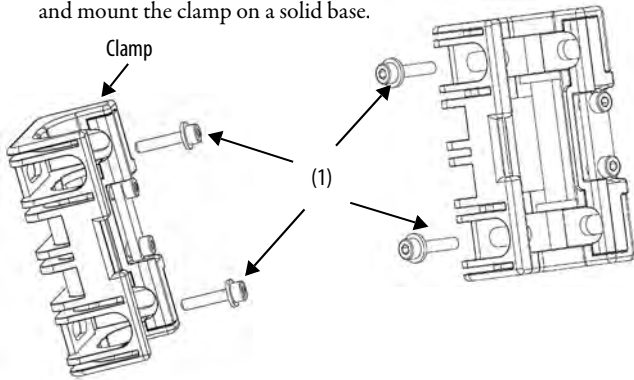


## Side Mount Bracket Set for GuardShield Light Curtains

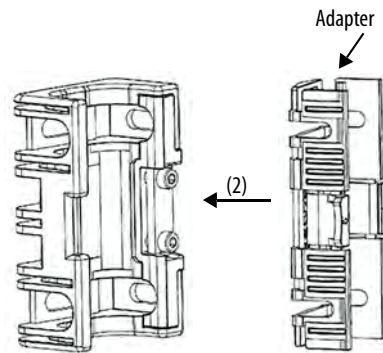
Catalog Numbers 450L-AM-SM

**IMPORTANT** One set includes two brackets (each bracket includes one clamp, one adapter, and two M4 screws to fix the adapter in the clamp).

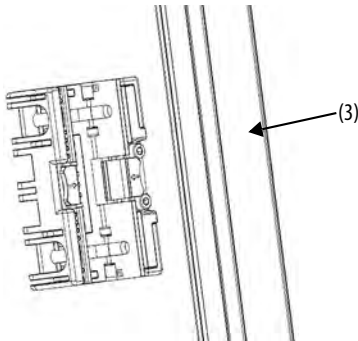
1. Insert two screws into the clamp (maximum size: M6, minimum torque: 5 N•m (44.3 lb•in) to maximum of 6 N•m (53.1 lb•in) for side- or back-mounting (screws are not included in mounting set) and mount the clamp on a solid base.



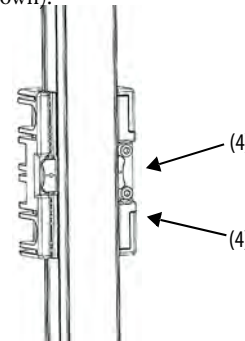
2. Snap in the adapter.



3. Snap in the profile.



4. Tighten both M4 screws (minimum of 3.5 N•m (31 lb•in) to maximum of 4.5 N•m (39.8 lb•in) after aligning the light curtains (rotate and shift up/down).



**WARNING:** A torque over 4.5 N•m (39.8 lb•in) for the M4 screws can damage the clamp. A torque of over 6 N•m (53.1 lb•in) for the M6 screws can damage the bracket.

Do not apply full torque to only one M4 screw, otherwise damage to the wedge bracket can occur. Tighten the M4 screws evenly to the required torque to reduce the risk of damage.

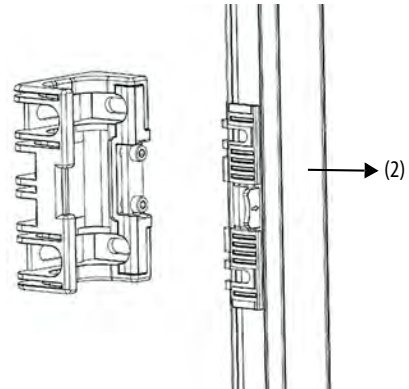
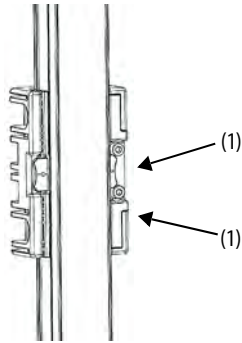


**WARNING:** Fasten side mounting bracket only to the aluminum profile and not to the light curtain plastic top or end caps.

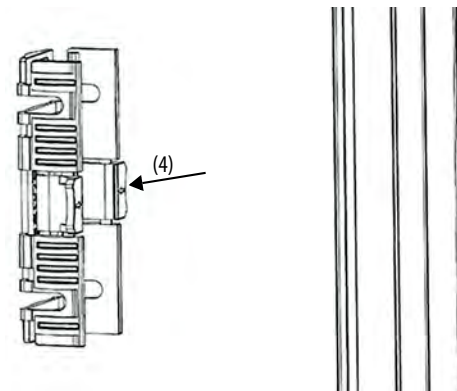
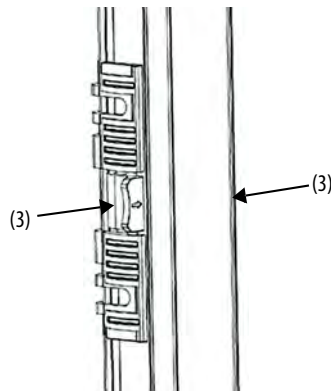
Materials:  
Clamp: PA  
Adapter: ABS  
Screws: Steel

## Disassemble Side Mounting Bracket

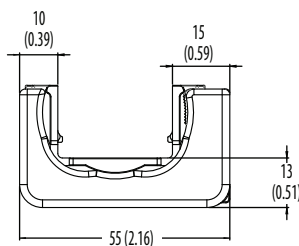
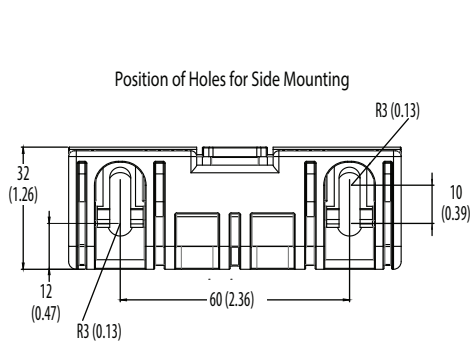
1. Loosen both M4 mounting clamp screws for each bracket that holds the light curtain.
2. Pull the light curtain out of all brackets.



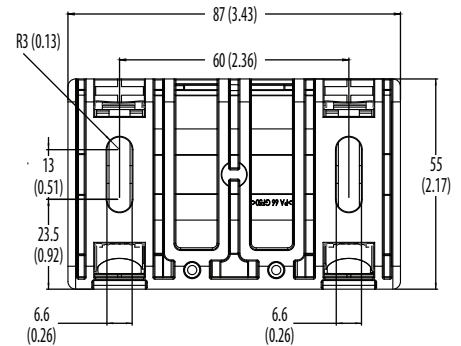
3. Press both adapter wings simultaneously (see arrows on adapter)...
4. ...and slide each adapter off the light curtain profile.



**IMPORTANT** Pressing the adapter wings too hard can damage the wings. However, the bracket still operates with damaged wings.



Position of Holes for Back Mounting (view from back side)



Rockwell Automation maintains current product environmental information on its website at <http://www.rockwellautomation.com/rockwellautomation/about-us/sustainability-ethics/product-environmental-compliance.page>.

Allen-Bradley, Rockwell Automation, and Rockwell Software are trademarks of Rockwell Automation, Inc. Trademarks not belonging to Rockwell Automation are property of their respective companies.

Rockwell Otomasyon Ticaret A.Ş., Kar Plaza İş Merkezi E Blok Kat:6 34752 İçerenköy, İstanbul, Tel: +90 (216) 5698400  
[www.rockwellautomation.com](http://www.rockwellautomation.com)



### Power, Control and Information Solutions Headquarters

Americas: Rockwell Automation, 1201 South Second Street, Milwaukee, WI 53204-2496 USA, Tel: (1) 414.382.2000, Fax: (1) 414.382.4444  
 Europe/Middle East/Africa: Rockwell Automation NV, Pegasus Park, De Kleetlaan 12a, 1831 Diegem, Belgium, Tel: (32) 2 663 0600, Fax: (32) 2 663 0640  
 Asia Pacific: Rockwell Automation, Level 14, Core F, Cyberport 3, 100 Cyberport Road, Hong Kong, Tel: (852) 2887 4788, Fax: (852) 2508 1846  
 Publication 450L-IN002C-EN-P - October 2017