

# Escape Release Installation Instructions

Original instructions in English



## ATTENTION



Read this document and the documents listed in the Additional Resources section about installation, configuration, and operation of this equipment before you install, configure, operate or maintain this product. Users are required to familiarize themselves with the installation and wiring instructions in addition to the requirements of all applicable codes, laws, and standards.

Activities including installation, adjustments, putting into service, use, assembly, disassembly, and maintenance are required to be carried out by suitably trained personnel in accordance with the applicable code of practice.

This device is intended to be part of the safety-related control system of a machine. Before installation, a risk assessment must be performed to determine whether the specifications of this device are suitable for all foreseeable operational and environmental characteristics of the application. Refer to the Specifications for certification information and ratings.

Use appropriate screws, bolts, or nuts fitted by tools to mount the switch and actuators to avoid the risk of tampering. Do not over torque the mounting hardware.

If this equipment is used in a manner not specified by the manufacturer, the protection provided by the equipment may be impaired.

## Additional Resources

The QR Code on the 442G-MAB handle assembly provides a link to the 442G Multi-functional Access Box User Manual (442G-UM001A-EN-P).

You can view or download publications at <http://www.rockwellautomation.com/literature/>. To order paper copies of technical documentation, contact your local Allen-Bradley® distributor or Rockwell Automation® sales representative.

## Overview

The escape release is used to open a locked safety guard from inside the safe-guarded area without tools.

With release monitoring active (default factory setting) the system enters into a latching fault when the escape release is actuated. To reset the device, turn the power off for at least three seconds or apply 24V to the input RST for a minimum of three seconds. A latching fault may not occur if the escape release is actuated very slowly.

## IMPORTANT

The escape release is not a safety function. The machine manufacturer must select and use a suitable release (escape release, emergency unlocking, etc.) for a specific application. A risk assessment appraisal is required for this purpose. The correct operation must be checked at regular intervals.

The escape release is optimized for installation on a 45 mm door.

Use the following table to determine if the extended shaft is needed (442G-MABASHFT ordered separately) to prepare the escape release for smaller or larger profiles.

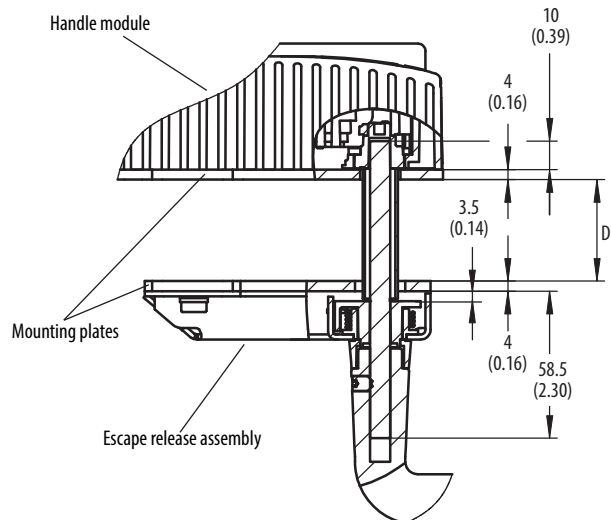
Profile width	Length required for actuation shaft		Shaft required <sup>3</sup>	Necessary work steps
	Without mounting plates	With mounting plates (4 mm each)		
D	D+13.5	D + 17.5 <sup>1</sup> D+21.5 <sup>2</sup>		
30 mm	43 mm	51 mm	Standard shaft	Shorten to required length
40 mm	53 mm	61 mm	Standard shaft or extended shaft	<ul style="list-style-type: none"> <li>Without mounting plates: shorten standard shaft to required length</li> <li>With two mounting plates: shorten extended shaft and protective sleeve to required length</li> </ul>
45 mm	58 mm	66 mm	Standard shaft or extended shaft	<ul style="list-style-type: none"> <li>Without mounting plate: none</li> <li>With mounting plates: shorten extended shaft and protective sleeve to required length</li> </ul>
50 mm	63 mm	71 mm	Extended shaft	Shorten extended shaft and protective sleeve to required length

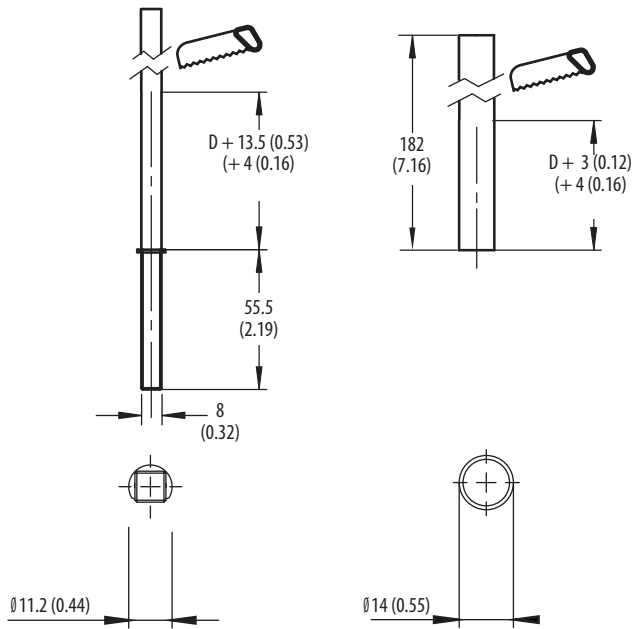
<sup>1</sup> Shaft length required when only one mounting plate is used.

<sup>2</sup> Shaft length required when two mounting plates are used for the escape release and the handle assembly.

<sup>3</sup> The extended shaft (442G-MABASHFT) must be ordered separately.

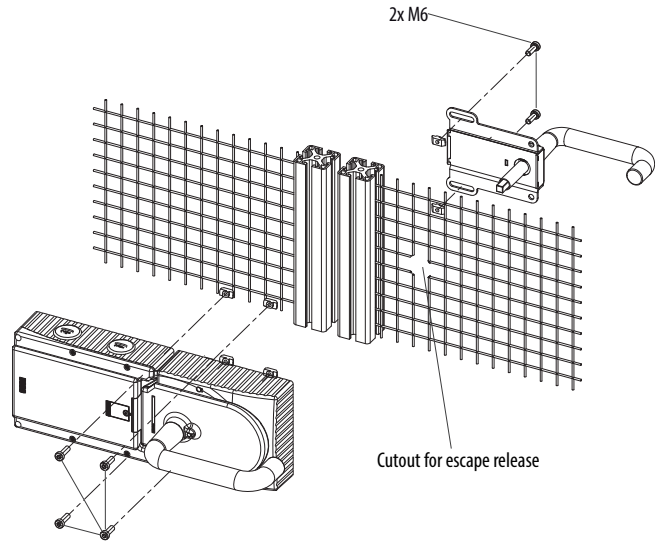
## Example with Mounting Plates [mm (in.)]



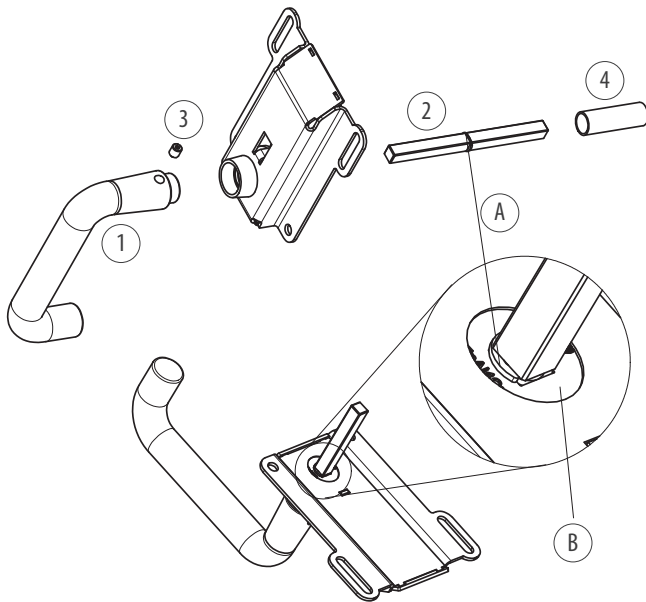


## Mounting

Fit escape release such that operation, inspection, and maintenance are possible. The actuation shaft must be inserted a minimum of 10 mm into the handle assembly. Align the escape release shaft at right angles to the handle assembly.



## Preparing Escape Release



1. Fit door handle
2. Insert actuation shaft. The locking ring A must be in contact with the escape release B.
3. Tighten setscrew to 2 Nm
4. Fit protective sleeve

### ATTENTION



The escape release must ONLY be accessible from inside the safeguarded area. The installation shall not allow access to the escape release from outside the safeguarded area.

Rockwell Automation maintains current product environmental information on its website at <http://www.rockwellautomation.com/rockwellautomation/about-us/sustainability-ethics/product-environmental-compliance.page>

Allen-Bradley, Guardmaster, and Rockwell Automation are trademarks of Rockwell Automation, Inc. Trademarks not belonging to Rockwell Automation are property of their respective companies.  
[www.rockwellautomation.com](http://www.rockwellautomation.com)

### Power, Control and Information Solutions Headquarters

Americas: Rockwell Automation, 1201 South Second Street, Milwaukee, WI 53204-2496 USA, Tel: (1) 414.382.2000, Fax: (1) 414.382.4444  
 Europe/Middle East/Africa: Rockwell Automation NV, Pegasus Park, De Kleetlaan 12a, 1831 Diegem, Belgium, Tel: (32) 2 663 0600, Fax: (32) 2 663 0640  
 Asia Pacific: Rockwell Automation, Level 14, Core F, Cyberport 3, 100 Cyberport Road, Hong Kong, Tel: (852) 2887 4788, Fax: (852) 2508 1846

Publication 442G-IN003A-EN-P—10001436217 Ver 00—April 2015  
 125237-01-01/15

Copyright © 2015 Rockwell Automation, Inc. All rights reserved. Printed in the USA.