

Prosafe Stopped Motion Unit

Catalog Numbers 440T-MSMSEx, 440T-MDMSEx

Summary of Changes

This document contains new and updated information regarding the Prosafe® Stopped Motion Unit as indicated in this table.

Topic	Page
Updated Installation and Time Range drawings	2 and 3

Introduction

Installation must be in accordance with the following steps and stated specifications and must be implemented by suitably competent personnel. This device is intended to be part of the safety-related control system.

Before installation, a risk assessment must be performed to determine whether the specifications of this device are suitable for all foreseeable operational and environmental characteristics of the machine to which it is to be fitted.

At regular intervals during the life of the unit, check whether the foreseen characteristics remain valid. Also inspect this device for evidence of accelerated wear, material degradation or alterations. If necessary, the device must be replaced. The manufacturer cannot accept responsibility for a failure of this device if the procedures given in this document are not implemented or if it is used outside the recommended specifications of this document.

Adherence to the recommended maintenance instructions forms part of the warranty.



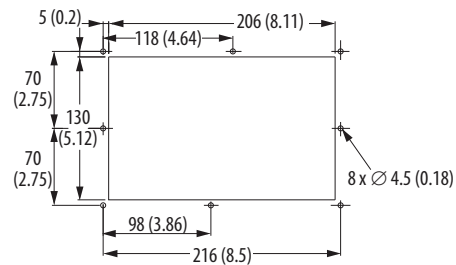
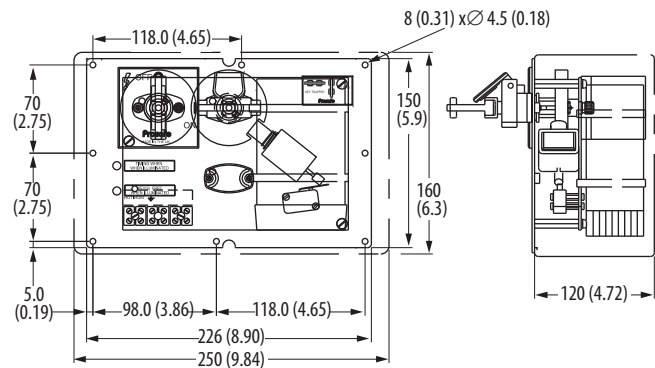
WARNING: Do not defeat, tamper, remove, or bypass this unit. Severe injury to personnel could result.

Specifications

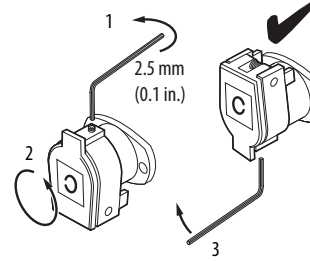
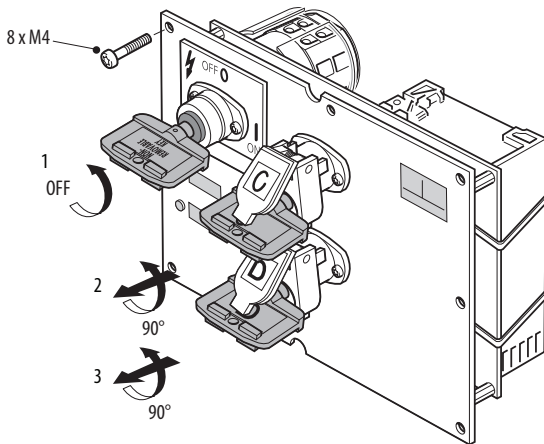
Description	Parameter
Safety Contacts ⁽¹⁾ Isolator on (SMSE and DMSE)	3 N.C. Safety (40 A) + 1 N.C. + 1 N.O. (20 A) 2 N.C. Safety (20 A) + 2 N.O. (20 A)
Solenoid monitor switch	1 N.C. Safety (10 A)
Solenoid options	24V DC (6.5 W), 110V AC, and 230V AC (9V A)
Mechanical life	100,000 (typical)
Shear force to key, max	15.1 kN
Torque to key, max	14 N·m (123.91 lb·in)
Operating temperature	-10...+40 °C (14...104 °F)
Certification	CE Marked for all applicable directives.

(1) The safety contacts of these products are described as normally closed (N.C.); for instance, with the guard closed, actuator in place (where relevant), and the machine able to be started.

Approximate Dimensions [mm (in.)]



Installation

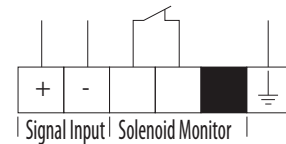
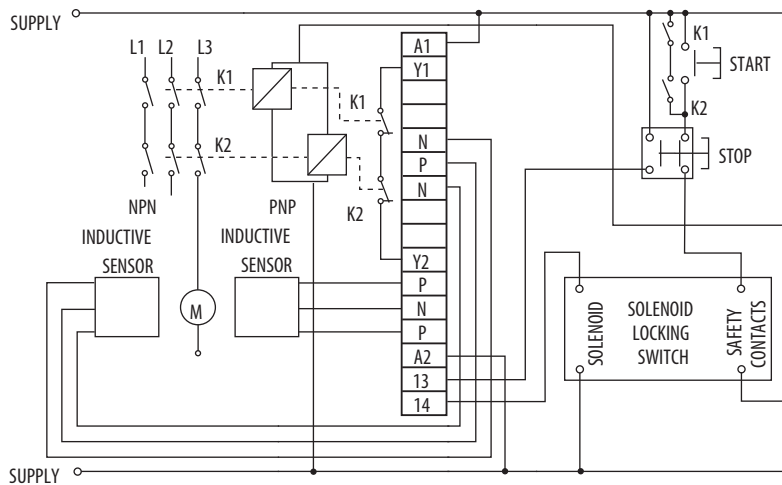


Units should be installed with flip cap hinge at the top.

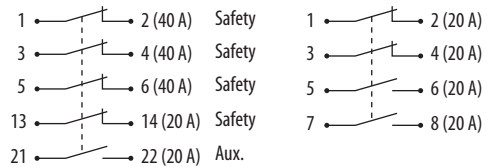
Product Specifications

Type	Solenoid Voltage	Contact Set 1	Contact Set 2	Catalog Number
Single Key Out Panel Mounted	24V DC	3 N.O. 40 A	1 N.O. 20 A	440T-MSMSE10
		2 N.O. 20 A	1 N.C. 20 A	440T-MSMSE11
	110V AC	3 N.O. 40 A	1 N.O. 20 A	440T-MSMSE20
		2 N.O. 20 A	1 N.C. 20 A	440T-MSMSE22
	230V AC	3 N.O. 40 A	1 N.O. 20 A	440T-MSMSE30
		2 N.O. 20 A	1 N.C. 20 A	440T-MSMSE33
Dual Key Out Panel Mounted	24V DC	3 N.O. 40 A	1 N.O. 20 A	440T-MDMSE10
		2 N.O. 20 A	1 N.C. 20 A	440T-MDMSE11
	110V AC	3 N.O. 40 A	1 N.O. 20 A	440T-MDMSE20
		2 N.O. 20 A	1 N.C. 20 A	440T-MDMSE22
	230V AC	3 N.O. 40 A	1 N.O. 20 A	440T-MDMSE30
		2 N.O. 20 A	1 N.C. 20 A	440T-MDMSE33

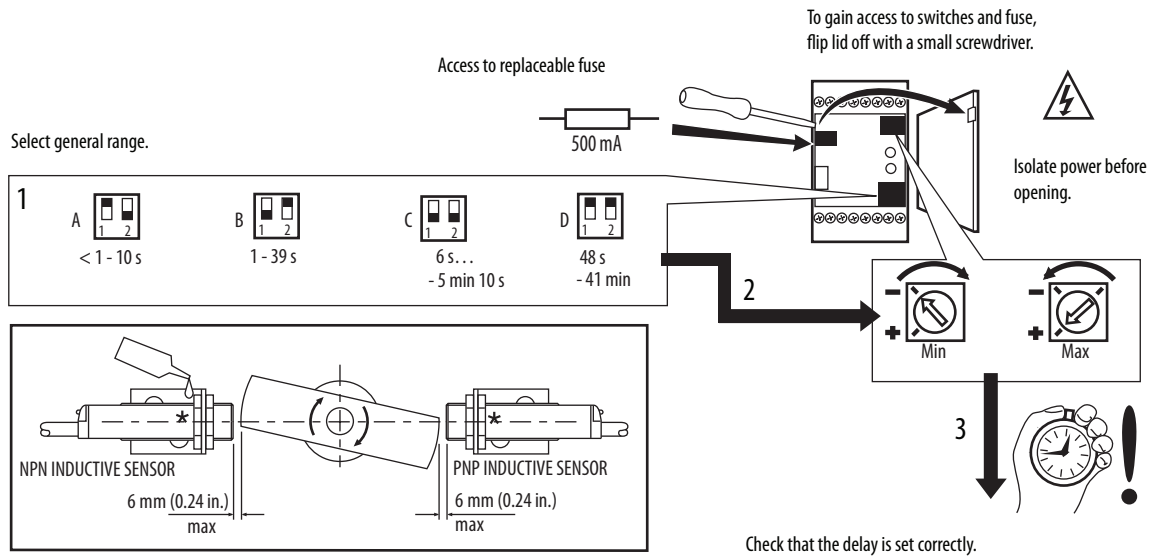
Wiring and Switch Diagrams



SMSE 10, 20, 30 DMSE 10, 20, 30 SMSE 11, 22, 33 DMSE 11, 22, 33



Setting Time Range



Inductive Proximity Sensors, DC

Size (mm)	Type	Catalog Number
12	NPN	872C-M4BN12-E2
	PNP	872C-D3NP12-E2
18	NPN	872C-D5NN18-E2
	PNP	872C-D5NP18-E2
30	NPN	872C-M15BN30-E2
	PNP	872C-M15BNP30-E2

Upon Installation

Lubricate code barrel assembly with light oil or spray, for example, WD-40™ or alternative product suitable for application. Check for correct operation.

Maintenance

Every Week

Check the correct operation of the switching circuit. Also check for signs of abuse or alterations. Inspect the unit for damage. Replace the unit if damage is apparent.

At Least Every Six Months

Isolate all power. Check for any sign of wear or damage, for example, cam assembly wear, contact oxidization and replace if apparent. Clean out any accumulation of fine dirt and so on. Lubricate code barrel assembly with light oil or spray, for example, WD-40 or alternative product suitable for application.

Assessment of operating environment may require the unit to be lubricated more frequently. Re-instate the power and check for correct operation.

Repair

If there is any malfunction or damage, no attempts at repair may be made. The unit must be replaced before machine operation is allowed.



ATTENTION: Do not dismantle the unit.

Declaration of Conformity

This declaration is to declare that the products that are shown in this document conform with the Essential Health and Safety Requirements (EHSRs) of the European Machinery Directive (2006/42/EC), the relevant requirements of the Low Voltage Directive (2014/35/EU). These products also conform to EN 14119, EN ISO 13849-1, EN ISO 13849-2, EN 60204-1.

Additional Resources

These documents contain additional information concerning related products from Rockwell Automation.

Resource	Description
CU2 Stop Motion Detector Installation Instructions, publication CU2-IN001	Provides installation, wiring, and dimension information for CU2 Stop Motion Detector products.
Industrial Automation Wiring and Grounding Guidelines, publication 1770-4.1	Provides general guidelines for installing a Rockwell Automation industrial system.
Product Certifications website, http://www.rockwellautomation.com/global/certification/overview.page	Provides declarations of conformity, certificates, and other certification details.

You can view or download publications at <http://www.rockwellautomation.com/global/literature-library/overview.page>. To order paper copies of technical documentation, contact your local Allen-Bradley distributor or Rockwell Automation sales representative.

Rockwell Automation Support

Use the following resources to access support information.

Technical Support Center	Knowledgebase Articles, How-to Videos, FAQs, Chat, User Forums, and Product Notification Updates.	https://rockwellautomation.custhelp.com/
Local Technical Support Phone Numbers	Locate the phone number for your country.	http://www.rockwellautomation.com/global/support/get-support-now.page
Direct Dial Codes	Find the Direct Dial Code for your product. Use the code to route your call directly to a technical support engineer.	http://www.rockwellautomation.com/global/support/direct-dial.page
Literature Library	Installation Instructions, Manuals, Brochures, and Technical Data.	http://www.rockwellautomation.com/global/literature-library/overview.page
Product Compatibility and Download Center (PCDC)	Get help determining how products interact, check features and capabilities, and find associated firmware.	http://www.rockwellautomation.com/global/support/pcdc.page

Documentation Feedback

Your comments will help us serve your documentation needs better. If you have any suggestions on how to improve this document, complete the How Are We Doing? form at http://literature.rockwellautomation.com/idc/groups/literature/documents/du/ra-du002_-en-e.pdf.

Waste Electrical and Electronic Equipment (WEEE)



At the end of life, this equipment can be collected separately from any unsorted municipal waste.

Rockwell Automation maintains current product environmental information on its website at <http://www.rockwellautomation.com/rockwellautomation/about-us/sustainability-ethics/product-environmental-compliance.page>.

Allen-Bradley, Guardmaster, Prosafe, Rockwell Automation, and Rockwell Software are trademarks of Rockwell Automation, Inc. WD-40 and other trademarks not belonging to Rockwell Automation are property of their respective companies.

Rockwell Otomasyon Ticaret A.Ş., Kar Plaza İş Merkezi E Blok Kat:6 34752 İçerenköy, İstanbul, Tel: +90 (216) 5698400

www.rockwellautomation.com

Power, Control and Information Solutions Headquarters

Americas: Rockwell Automation, 1201 South Second Street, Milwaukee, WI 53204-2496 USA, Tel: (1) 414.382.2000, Fax: (1) 414.382.4444
Europe/Middle East/Africa: Rockwell Automation NV, Pegasus Park, De Kleetlaan 12a, 1831 Diegem, Belgium, Tel: (32) 2 663 0600, Fax: (32) 2 663 0640
Asia Pacific: Rockwell Automation, Level 14, Core F, Cyberport 3, 100 Cyberport Road, Hong Kong, Tel: (852) 2887 4788, Fax: (852) 2508 1846

Publication 440T-IN035A-EN-P - April 2018

Supersedes Publication 440T-IN016A-MU-P - February 2011

PN-480885
10003635700 Ver 00
Copyright © 2018 Rockwell Automation, Inc. All rights reserved. Printed in the U.S.A.