

GuardLink Enabled Tap

Catalog Numbers 440S-SF5D, 440S-SF8D, 440S-MF5D, 440S-MF8D

IMPORTANT Electronic equipment. Handle with care, do not drop.

Figure 1 - Dimensions [mm (in.)]

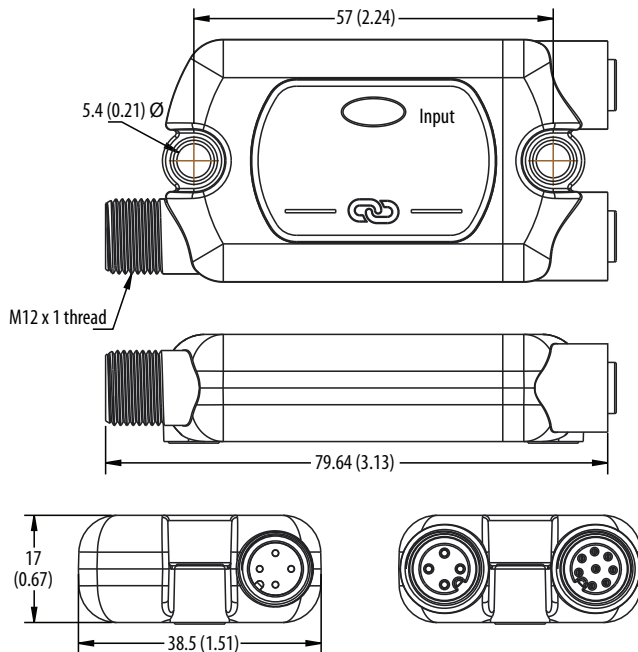
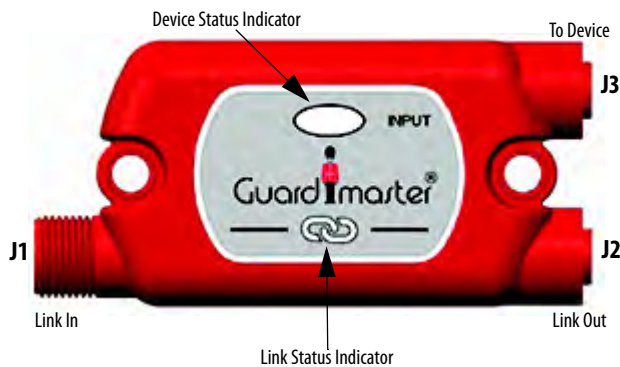


Figure 2 - Status Indicators



Mounting Information

Do not over torque the mounting hardware. Recommended fastener size -M5.

Mounting Hardware Torque Specification

2.20 N•m (19.95 in•lb)

Connector Torque Specification

Finger tighten the cordset connections and then tighten an additional 1/4 to 1/2 turn using pliers.

Connection

Table 1 - J1 — 4-pin Micro M12 Male (Link In)



Pin No.	Wire Color	Function	Pinouts
1	Brown	24V DC	
2	White	GuardLink Safety	
3	Blue	GND	
4	Black	GuardLink CLU	


Table 2 - J2 — 4-pin Micro M12 Female (Link Out)



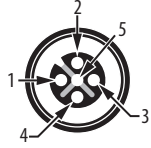
Pin No.	Wire Color	Function	Pinouts
1	Brown	24V DC	
2	White	GuardLink Safety	
3	Blue	GND	
4	Black	GuardLink CLU	

Device Connection

Table 3 - J3 — 5-pin Micro M12 Female

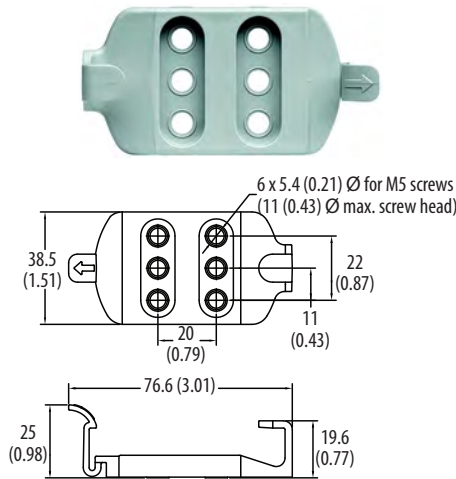


J3

Pin No.	Wire Color	Catalog Number		Pinout
		4405-MF5D	4405-SF5D	
		EMSS	OSSD	
1	Brown	Safety Contact A	24V DC	
2	White		Safety OSSD Channel A Input	
3	Blue	—	GND	
4	Black	Safety Contact B	Safety OSSD Channel B Input	
5	Gray		—	

Optional Mounting Bracket

Figure 4 - 4405-GLTAPBRK1 Dimensions [mm (in.)]



Waste Electrical and Electronic Equipment (WEEE)



At the end of life, this equipment should be collected separately from any unsorted municipal waste.

Rockwell Automation maintains current product environmental information on its website at <http://www.rockwellautomation.com/rockwellautomation/about-us/sustainability-ethics/product-environmental-compliance.page>.


Allen-Bradley, GuardLink, Guardmaster, Rockwell Automation, and Rockwell Software are trademarks of Rockwell Automation, Inc. Trademarks not belonging to Rockwell Automation are property of their respective companies.

Rockwell Otomasyon Ticaret A.Ş., Kar Plaza İş Merkezi E Blok Kat:6 34752 İçerenköy, İstanbul, Tel: +90 (216) 5698400
www.rockwellautomation.com

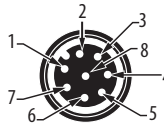
Power, Control and Information Solutions Headquarters

Americas: Rockwell Automation, 1201 South Second Street, Milwaukee, WI 53204-2496 USA, Tel: (1) 414.382.2000, Fax: (1) 414.382.4444
 Europe/Middle East/Africa: Rockwell Automation NV, Pegasus Park, De Kleetlaan 12a, 1831 Diegem, Belgium, Tel: (32) 2 663 0600, Fax: (32) 2 663 0640
 Asia Pacific: Rockwell Automation, Level 14, Core F, Cyberport 3, 100 Cyberport Road, Hong Kong, Tel: (852) 2887 4788, Fax: (852) 2508 1846
 Publication 4405-IN007B-EN-P - December 2017

Table 5 - J3 — 8-pin Micro M12 Female



J3

Pin No.	Wire Color ⁽¹⁾	Catalog Number		Pinout
		4405-MF8D	4405-SF8D	
		EMSS	OSSD	
1	White	—	—	
2	Brown	Lock/Unlock	24V DC	
3	Green	—	Lock/Unlock	
4	Yellow	Safety Contact B	Safety OSSD Channel B+ (24V DC)	
5	Gray	Safety Contact A	Safety OSSD Channel A Input	
6	Pink	Safety Contact B	Safety OSSD Channel B Input	
7	Blue	GND	GND	
8	Red	Safety Contact A	Safety OSSD Channel A+ (24V DC)	

⁽¹⁾ Wire colors apply to the Type “B” cordset.

Additional Resources

These documents contain additional information concerning related products from Rockwell Automation.

Resource	Description
Guardmaster GuardLink Safety System User Manual, publication 440R-UM015	Provides guidelines for installing a Guardmaster GuardLink Safety System.
Industrial Automation Wiring and Grounding Guidelines, publication 1770-4.1	Provides general guidelines for installing a Rockwell Automation industrial system.
Product Certifications website, http://www.rockwellautomation.com/global/certification/overview.page	Provides declarations of conformity, certificates, and other certification details.

You can view or download publications at <http://www.rockwellautomation.com/global/literature-library/overview.page>. To order paper copies of technical documentation, contact your local Allen-Bradley distributor or Rockwell Automation sales representative.