

Installation and Operating Instructions

Bulletin 440P-WM3 Metal Rod Lever

IMPORTANT: SAVE THESE INSTRUCTIONS FOR FUTURE USE.

ATTENTION



To avoid electrical shock and unintended operation of equipment, disconnect all power to the limit switch and the controlled equipment before proceeding with any repair or adjustment of the limit switch.

ATTENTION



Operator heads with adjustable actuators should **NOT** be used for safety applications.

General Data

- Designed for 440P-M metal rod lever limit switches
- Rod lever sweep range up to 40°
- Rod lever diameter 3 mm (0.12 in.)
- Rod lever length 160 mm (6.3 in.)
- Rod lever max extension 143 mm (5.63 in.)
- Includes collar and one Allen head screw

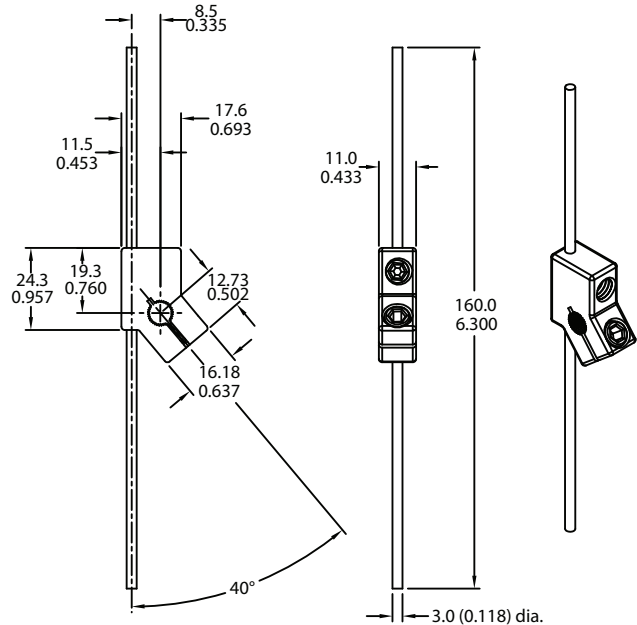
Principles, Standards, and Implementation

Operating specifications must be followed. Actuators should be displaced beyond the point where direct opening action occurs. If adjustable actuators become loose they may defeat the direct opening action feature of the limit switch. These devices are not to be used to directly control a motor.

IMPORTANT

Installation of Allen-Bradley limit switches should be in accordance with local and/or national codes. Servicing energized industrial control equipment can be hazardous if not in accordance to recommended safety procedures.

Approximate Dimensions [mm (in.)]

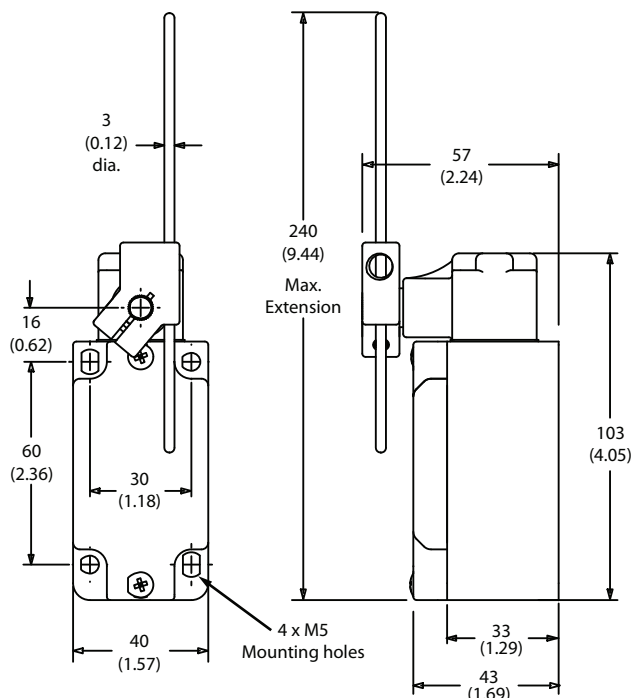


Adjustable metal rod lever shown installed.

Instructions

1. Position the collar on the shaft to the desired position.
2. Tighten the collar shaft Allen head screw to 2.7...3.7 N•m (23.9...32.75 in•lb).
3. Insert the metal rod lever into the collar shaft hole.
4. Adjust the position of the metal rod lever to the desired length.
5. Tighten the adjustable rod lever Allen head screw to 1.5...2.1 N•m (13.28...18.59 in•lb).

Mounting Dimensions [mm (in.)]



ATTENTION



Under no circumstances must the switch be actuated beyond the mechanical travel specified. Serious damage to the device and property could result.

Maintenance

These devices require little maintenance, but routine visual inspection is recommended to keep foreign debris from collecting on the exterior actuators and rollers.

Removing the operator head is not recommended as loose internal components may be lost or improperly re-installed.

Actuation Guidelines

The method of actuation and over travel has significant influence on the service life of the limit switch. To maximize the service life, it is recommended to provide an actuator with a 30° pressure angle and a surface hardness of RC-45 max.

Torque Specifications

Location	Torque
Rod lever 3 mm Allen head screw	1.5...2.1 N•m (13.28...18.59 in•lb)
Collar shaft 3 mm Allen head screw	2.7...3.7 N•m (23.9...32.75 in•lb)

www.rockwellautomation.com

Power, Control and Information Solutions Headquarters

Americas: Rockwell Automation, 1201 South Second Street, Milwaukee, WI 53204-2496 USA, Tel: (1) 414.382.2000, Fax: (1) 414.382.4444

Europe/Middle East/Africa: Rockwell Automation NV, Pegasus Park, De Kleetlaan 12a, 1831 Diegem, Belgium, Tel: (32) 2 663 0600, Fax: (32) 2 663 0640

Asia Pacific: Rockwell Automation, Level 14, Core F, Cyberport 3, 100 Cyberport Road, Hong Kong, Tel: (852) 2887 4788, Fax: (852) 2508 1846