

Installation Instructions

Original Instructions



Allen-Bradley
by ROCKWELL AUTOMATION



Flexible Release Push Button Accessory

Catalog Numbers 440G-A27356, 440G-A27357

IMPORTANT Save these instructions for future use.

Installation must be in accordance with the following steps and stated specifications and implemented by suitably competent personnel. This device is intended to be part of the safety-related control system. The Flexible Release Push Button Accessory is intended to be used as an escape mechanism only. It must be mounted only where accessible from the dangerous side of an application.

Before installation, perform a risk assessment to determine whether the specifications of this device are suitable for all foreseeable operational and environmental characteristics of the machine to which it is to be fitted.

At regular intervals during the life of the unit, check whether these characteristics foreseen remain valid. Inspect this device for evidence of accelerated wear, material degradation, or tampering. If necessary, replace the device. The manufacturer cannot accept responsibility for a failure of this device if the procedures are not implemented or if it is used outside the recommended specifications.

Adherence to the recommended maintenance instructions forms part of the warranty.



WARNING: Do not defeat, tamper, remove, or bypass this unit. Severe injury to personnel could result.

Overview

The Flexible Release Push Button Accessory is for use with the following Power to Release guard locking switches:

- TLS-1 GD2 guard locking switch
- TLS-3 GD2 guard locking switch
- TLS-Z GD2 guard locking switch (PTR version)

This accessory is designed to provide remote access to the manual release linkage within the TLS-1 GD2, TLS-3 GD2, and TLS-Z Power to Release guard locking switches in an emergency situation.

It can be retrofitted to existing TLS-1 GD2, TLS-3 GD2, and TLS-Z guard locking switches (PTR version).

It must be installed in an accessible position next to the guard door, inside the hazardous area.

Specifications



ATTENTION: The environmental rating of the TLS switch changes from IP67 to IP40 when a flexible release accessory is attached.

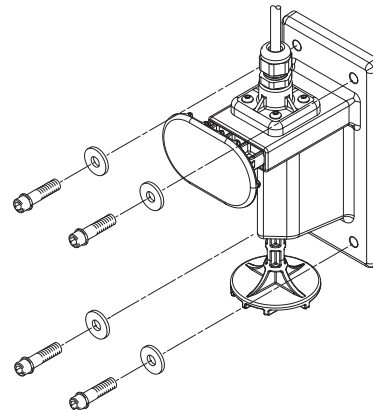
Attribute	Value
Material	<ul style="list-style-type: none">• Body: UL-approved PBT• Push button: UL-approved Acetal• Reset handle: UL approved Acetal
Operating temperature	-25...+80 °C (-13...+176 °F)
Mounting	4 x M5 (any position)
Mechanical life	10,000 operations
Weight	<ul style="list-style-type: none">• 1 m [3.3 ft] model (Cat. No. 440G-A27356): 375 g (0.8 lb)• 3 m [9.8 ft] model (Cat. No. 440G-A27357): 590 g (1.3 lb)
Color	<ul style="list-style-type: none">• Body: Yellow• Push button: Black• Reset handle: Blue
Torque settings, max	<ul style="list-style-type: none">• Mounting bolts: 2.0 N•m (17.7 in•lb)• TLS-GD2 body adapter: 1.8 N•m (15.9 in•lb)

Installation

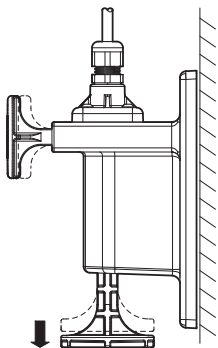


ATTENTION: Isolate power before installing the flexible release accessory.

1. Install the four customer-supplied M5 screws.

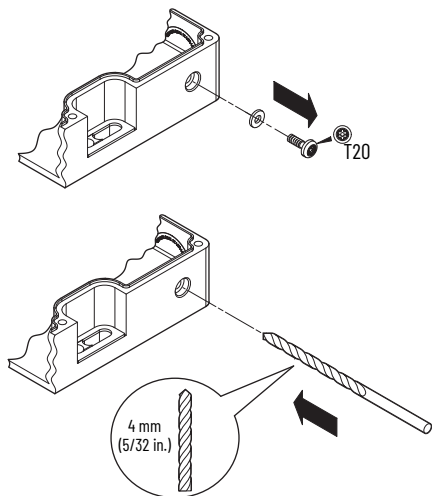


2. Pull the reset handle to reset the cable for installation.

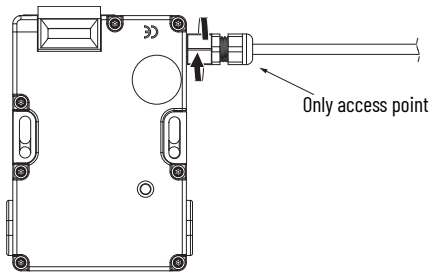


3. Remove the screw and drill with a 4 mm (5/32 in.) drill bit.

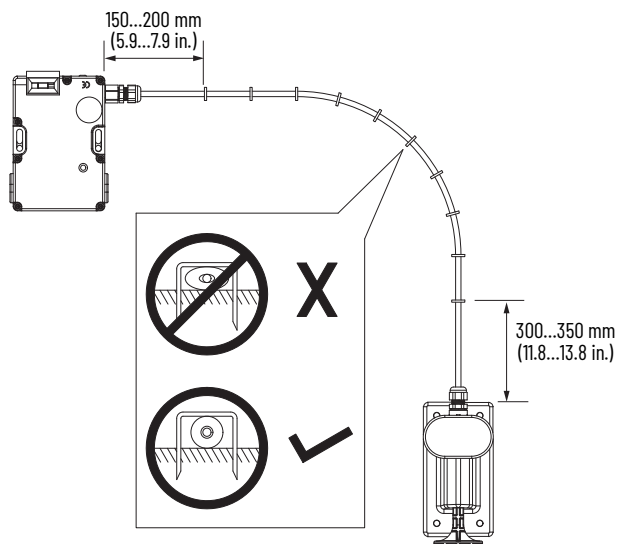
IMPORTANT Be sure to remove the plastic chips from drilling.



4. Connect the switch body adapter.



5. Verify the cable installation.



6. Test the system after installation:

- a. Press the black push button and remove the actuator key from the TLS-GD2 guard locking switch.
- b. Pull the blue flex-release reset handle and reinsert the actuator key.

Repeat the test three times to verify the functionality of the flex release accessory.

Maintenance

Frequency	Description
Every month	<ul style="list-style-type: none"> • Repeat installation step 6. • Examine the strain relief fittings to verify that the nuts are at the required torque and the actuator cable remains secured in place.

Repair

If there is any malfunction or damage, do not attempt repair. Replace the unit before you allow machine operation.

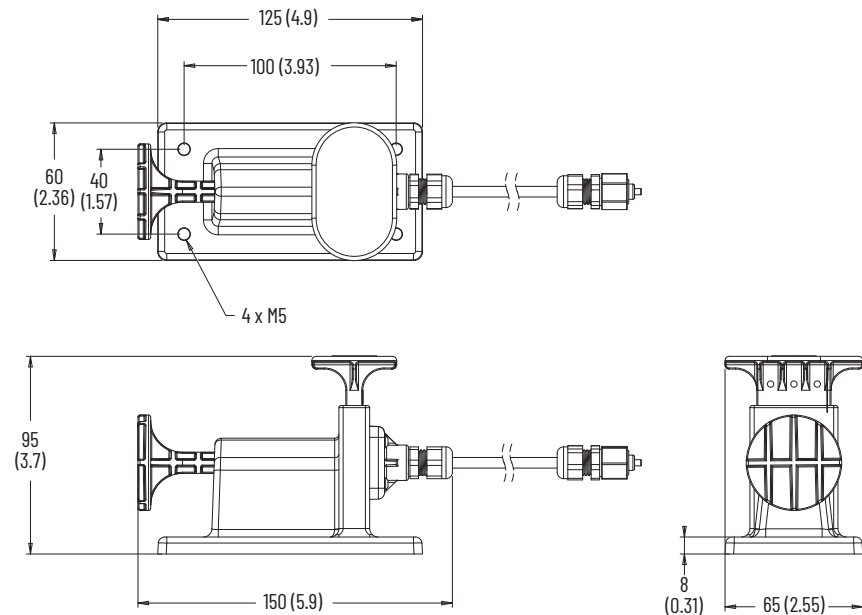
IMPORTANT Do not dismantle the unit.



ATTENTION: Max torque = 1.8 N·m (15.9 in·lb)
Do not overtighten the adapter as it can strip the threads.

Approximate Dimensions

Figure 1 - Flexible Release [mm (in.)]



Additional Resources

To download publications, visit rok.auto/literature and search for the following publication numbers.

Resource	Description
TLS-GD2 Installation Instructions, publication 440G-IN006	Provides install and specification information for TLS-GD2 guard locking switches.
Industrial Automation Wiring and Grounding Guidelines, publication 1770-4.1	Provides general guidelines for installing a Rockwell Automation industrial system.
Product Certifications website, rok.auto/certifications	Provides declarations of conformity, certificates, and other certification details.

Waste Electrical and Electronic Equipment (WEEE)







At the end of life, this equipment should be collected separately from any unsorted municipal waste.

Rockwell Automation maintains current product environmental compliance information on its website at rok.auto/pec.

Your comments help us serve your documentation needs better. If you have any suggestions on how to improve our content, complete the form at rok.auto/docfeedback.

For technical support, visit rok.auto/support.

Rockwell Otomasyon Ticaret A.Ş. Kar Plaza İş Merkezi E Blok Kat:6 34752, İçerenköy, İstanbul, Tel: +90 (216) 5698400 EEE Yönetmeliğine Uygundur

Connect with us.    

rockwellautomation.com — expanding **human possibility**[®]

AMERICAS: Rockwell Automation, 1201 South Second Street, Milwaukee, WI 53204-2496 USA, Tel: (1) 414.382.2000

EUROPE/MIDDLE EAST/AFRICA: Rockwell Automation NV, Pegasus Park, De Kleetlaan 12a, 1831 Diegem, Belgium, Tel: (32) 2663 0600

ASIA PACIFIC: Rockwell Automation SEA Pte Ltd, 2 Corporation Road, #04-05, Main Lobby, Corporation Place, Singapore 618494, Tel: (65) 6510 6608

UNITED KINGDOM: Rockwell Automation Ltd., Pitfield, Kiln Farm, Milton Keynes, MK11 3DR, United Kingdom, Tel: (44)(1908) 838-800

Allen-Bradley, expanding human possibility, Guardmaster, and Rockwell Automation are trademarks of Rockwell Automation, Inc. Trademarks not belonging to Rockwell Automation are property of their respective companies.

Publication 440G-IN021A-EN-P - May 2024

Copyright © 2024 Rockwell Automation, Inc. All rights reserved. Printed in the U.S.A.

K-78072
78072 Ver 04