

Installation Instructions

Series 7000 to 42JT VisiSight™ Replacement Kit (ClearSight only)

IMPORTANT: SAVE THESE INSTRUCTIONS FOR FUTURE USE.

Description

The R7KJT replacement kits are designed to facilitate the transition of the Series 7000 photoelectric sensors to the 42JT VisiSight product family.

The R7KJT replacement kit includes:

- 42JT VisiSight™ Clear Object sensor
- 60-BJT-R7K: Series 7000 to 42JT VisiSight Replacement Hardware Kit which includes two stainless steel replacement brackets (for left or right mounting surfaces) and mounting hardware
- 92-118: Microcube Reflector

To install the 42JT VisiSight:

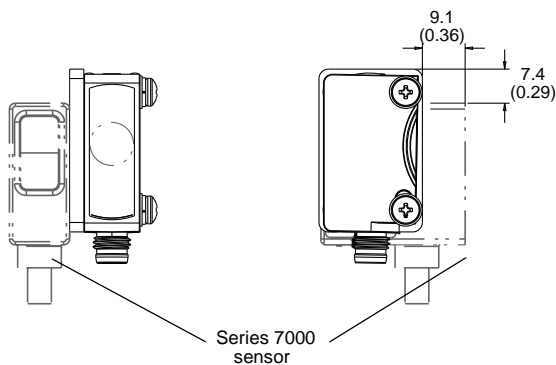
1. Uninstall and remove the Series 7000 photoelectric sensor from your machine.
2. Select the left or right mounting bracket as appropriate.
3. Insert the tab on the bracket into the top mounting hole of the 42JT VisiSight.
4. Hold the mounting bracket and 42JT VisiSight in position on the mounting surface, aligned with the mounting holes.
5. Secure with the short and long M3 screws and the P1 nut provided, as shown.

IMPORTANT

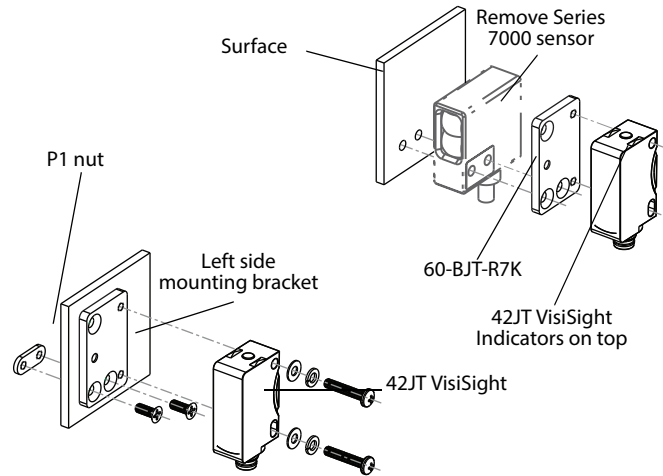
For mounting the 42JT VisiSight on the 60-2619 swivel/tilt bracket, use the 60-BJS-L2 bracket (sold separately) to secure the 42JT VisiSight.

Mounting Considerations

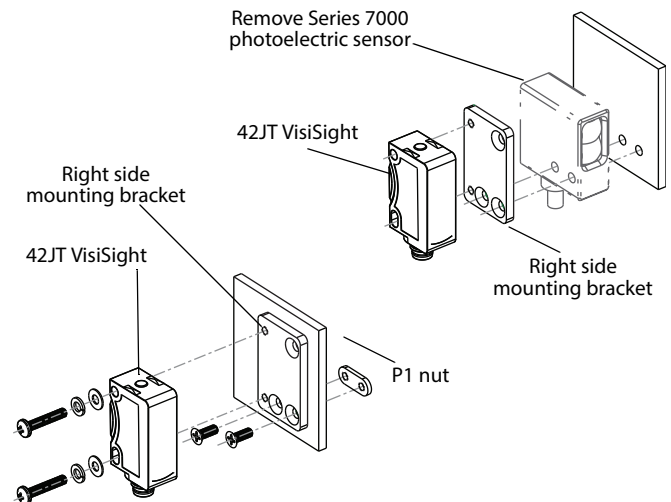
Position of 42JT VisiSight sensor mounted with bracket provided, relative to Series 7000 sensor mounted in same mounting holes.



Mounting Sensor to Surface on the Left



Mounting Sensor to Surface on the Right



Wiring Considerations (Cable Models Only)

The cable models of the Series 7000 use a different wire color code from the 42JT VisiSight. To wire the 42JT VisiSight cable models in a Series 7000 cable model application you have to use the color code below.

	Series 7000 (existing installation)	42JT VisiSight (new installation)
+V	Red	Brown
-V	Black	Blue
L0	Green	Black
D0	White	White

www.rockwellautomation.com

Power, Control and Information Solutions Headquarters

Americas: Rockwell Automation, 1201 South Second Street, Milwaukee, WI 53204-2496 USA, Tel: (1) 414.382.2000, Fax: (1) 414.382.4444

Europe/Middle East/Africa: Rockwell Automation NV, Pegasus Park, De Kleetlaan 12a, 1831 Diegem, Belgium, Tel: (32) 2 663 0600, Fax: (32) 2 663 0640

Asia Pacific: Rockwell Automation, Level 14, Core F, Cyberport 3, 100 Cyberport Road, Hong Kong, Tel: (852) 2887 4788, Fax: (852) 2508 1846

42JT-IN007A-EN-P — July 2014

PN-268367—10001242007 Ver 00

Copyright © 2014 Rockwell Automation, Inc. — All Rights Reserved. Printed in USA