

Transmitted Beam Photoelectric Sensors

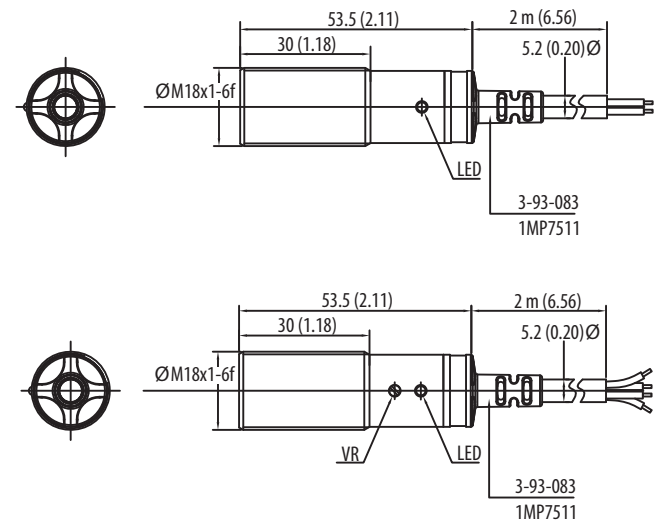
Catalog Numbers 42CAEZ-SE1EZB1-A2, 42CAEZ-SR1MNA1-A2

Technical Specifications

Attribute	Value
Certifications	CE Marked for all applicable directives
Vibration	10...50 Hz [0.5 mm (0.02 in.)]
Relative Humidity	35...85% (noncondensing)
Insulation Resistance	≥ 50 MΩ (500V DC)
User Interface	
Status Indicators	Orange (receiver): output indicator Green (emitter): power indicator
Adjustments	Potentiometer on receiver only
Electrical	
Operating Voltage	10...30V DC
Current Consumption	25 mA max
Light Source	650 nm red LED (Polarized Retroreflective); 850 nm infrared LED (Transmitted Beam)
Outputs	
Output Type	Complementary L.O. and D.O.
Load Current	200 mA max
Response Time	8.2 ms max
Mechanical	
Housing Material	PBT
Cable Material	PVC
Supplied Accessories	None
Environmental	
Enclosure Type Rating	IP67
Operating Temperature	-15...+55 °C (+5...+131 °F)
Connection Type	2 m (6.56 ft) cable

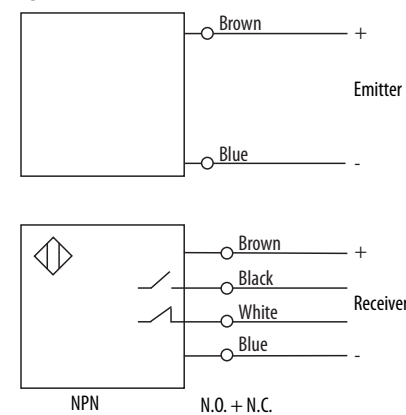
Dimensions

Figure 1 - Transmitted Beam [mm (in.)]



Wiring Diagrams

Figure 2 - Transmitted Beam



Rockwell Automation Support

Use the following resources to access support information.

Technical Support Center	Knowledgebase Articles, How-to Videos, FAQs, Chat, User Forums, and Product Notification Updates.	https://rockwellautomation.custhelp.com/
Local Technical Support Phone Numbers	Locate the phone number for your country.	http://www.rockwellautomation.com/global/support/get-support-now.page
Direct Dial Codes	Find the Direct Dial Code for your product. Use the code to route your call directly to a technical support engineer.	http://www.rockwellautomation.com/global/support/direct-dial.page
Literature Library	Installation Instructions, Manuals, Brochures, and Technical Data.	http://www.rockwellautomation.com/global/literature-library/overview.page
Product Compatibility and Download Center (PCDC)	Get help determining how products interact, check features and capabilities, and find associated firmware.	http://www.rockwellautomation.com/global/support/pcdc.page

Documentation Feedback

Your comments will help us serve your documentation needs better. If you have any suggestions on how to improve this document, complete the How Are We Doing? form at http://literature.rockwellautomation.com/idc/groups/literature/documents/du/ra-du002_-en-e.pdf.

Rockwell Automation maintains current product environmental information on its website at <http://www.rockwellautomation.com/rockwellautomation/about-us/sustainability-ethics/product-environmental-compliance.page>.

Allen-Bradley, Rockwell Automation, and Rockwell Software are trademarks of Rockwell Automation, Inc. Trademarks not belonging to Rockwell Automation are property of their respective companies.

Rockwell Otomasyon Ticaret A.Ş., Kar Plaza İş Merkezi E Blok Kat:6 34752 İçerenköy, İstanbul, Tel: +90 (216) 5698400

www.rockwellautomation.com

Power, Control and Information Solutions Headquarters

Americas: Rockwell Automation, 1201 South Second Street, Milwaukee, WI 53204-2496 USA, Tel: (1) 414.382.2000, Fax: (1) 414.382.4444
Europe/Middle East/Africa: Rockwell Automation NV, Pegasus Park, De Kleetlaan 12a, 1831 Diegem, Belgium, Tel: (32) 2 663 0600, Fax: (32) 2 663 0640
Asia Pacific: Rockwell Automation, Level 14, Core F, Cyberport 3, 100 Cyberport Road, Hong Kong, Tel: (852) 2887 4788, Fax: (852) 2508 1846