

# Installation Instructions

## 42BA to 42KD Miniature and 42JT VisiSight Replacement Kit

**IMPORTANT: SAVE THESE INSTRUCTIONS FOR FUTURE USE.**

### Description

The RBAJT and RBAKD replacement kits are designed to facilitate the transition of the 42BA Short-Range Background Suppression photoelectric sensors to the 42KD Miniature and 42JT VisiSight™ product families. The small-footprint stainless steel bracket included in the kit allows for a secure mount of the 42KD and 42JT with the existing 42BA mounting holes.

It is recommended to use the 42KD Miniature sensor for replacement of the 42BA sensors with a sensing distance up to 50 mm (1.97 in.). The 42KD adjustable background suppression sensor has a maximum distance of 70 mm (2.75 in.).

It is recommended to use the 42JT VisiSight sensor for replacement of the 42BA sensors with a sensing distance of up to 200 mm (7.87 in.). The 42JT adjustable background suppression sensor has a maximum distance of 180 mm (in.) and 400 mm (15.75 in.).

The kit includes:

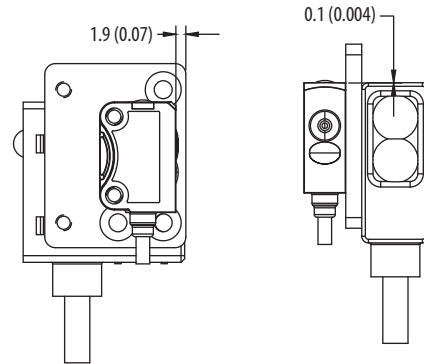
- 42JT or 42KD sensor
- Left-side mounting bracket
- Right-side mounting bracket
- Mounting hardware

To install the 42KD or 42JT:

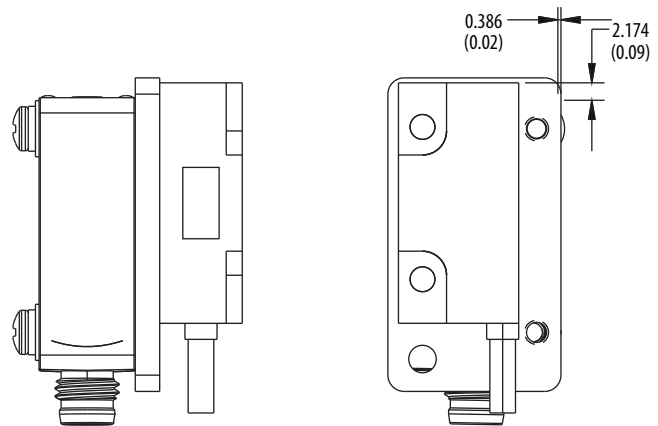
1. Uninstall and remove the 42BA photoelectric sensor from your machine.
2. Select the left or right mounting bracket as appropriate.
3. Insert the tab on the bracket into the top mounting hole of the sensor.
4. Hold the mounting bracket and sensor in position on the mounting surface, which is aligned with the mounting holes.
5. Secure with the short and long M3 screws (provided), as shown.

### Mounting Considerations

#### 42KD Dimensions [mm (in.)]

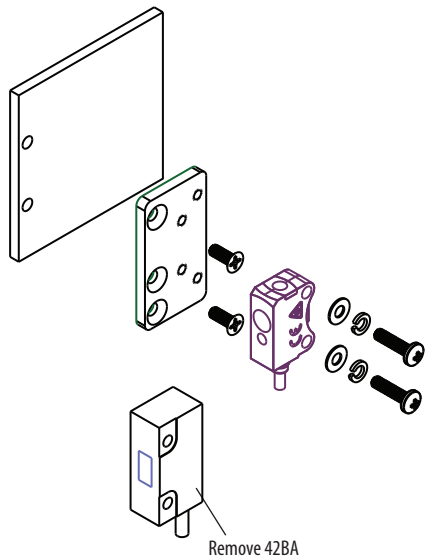


#### 42JT Dimensions [mm (in.)]



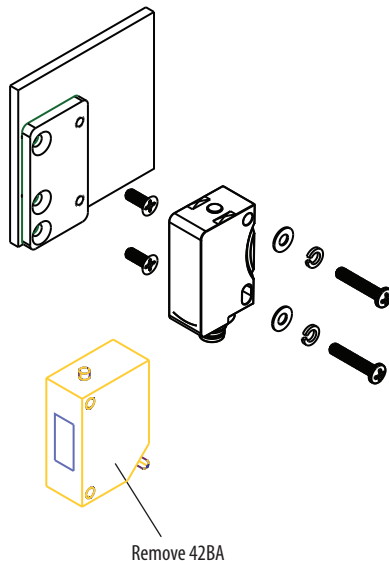
## 42KD Mounting Replacement

### Mounting Sensor to Surface on the Left

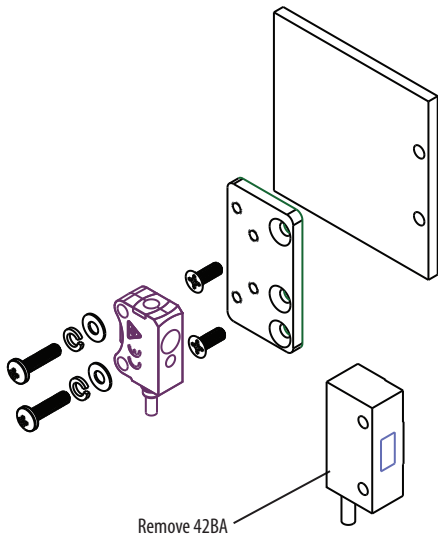


## 42JT Mounting Replacement

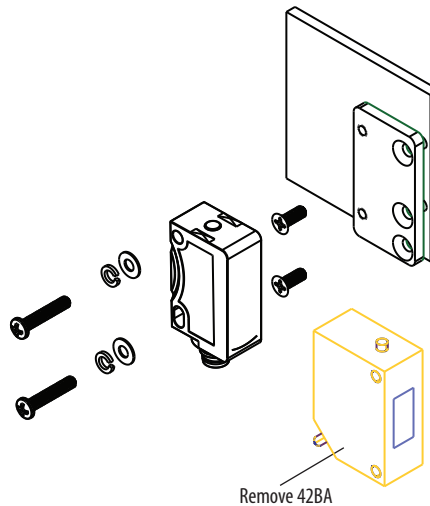
### Mounting Sensor to Surface on the Left



### Mounting Sensor to Surface on the Right



### Mounting Sensor to Surface on the Right



Rockwell Automation maintains current product environmental information on its website at <http://www.rockwellautomation.com/rockwellautomation/about-us/sustainability-ethics/product-environmental-compliance.page>

Allen-Bradley and Rockwell Automation are trademarks of Rockwell Automation, Inc. Trademarks not belonging to Rockwell Automation are property of their respective companies.

[www.rockwellautomation.com](http://www.rockwellautomation.com)

### Power, Control and Information Solutions Headquarters

Americas: Rockwell Automation, 1201 South Second Street, Milwaukee, WI 53204-2496 USA, Tel: (1) 414.382.2000, Fax: (1) 414.382.4444

Europe/Middle East/Africa: Rockwell Automation NV, Pegasus Park, De Kleetlaan 12a, 1831 Diegem, Belgium, Tel: (32) 2 663 0600, Fax: (32) 2 663 0640

Asia Pacific: Rockwell Automation, Level 14, Core F, Cyberport 3, 100 Cyberport Road, Hong Kong, Tel: (852) 2887 4788, Fax: (852) 2508 1846

Publication 42BA-IN002A-EN-P – 10001875542 Ver 00 – PN-331600 – September 2015  
Copyright © 2015 Rockwell Automation, Inc. All rights reserved. Printed in the USA.