

Armor PowerFlex Light-Duty Dynamic Brake Resistors

Catalog Number 35R-00AP1K



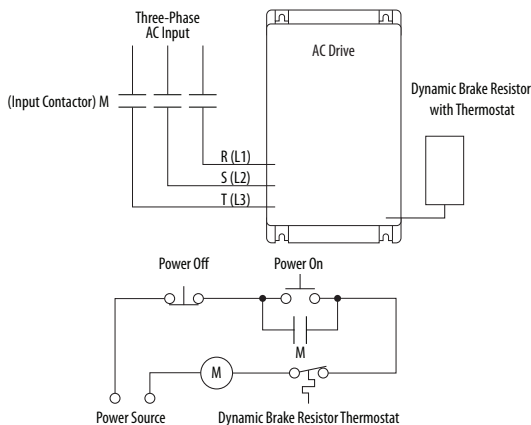
ATTENTION: Only trained and qualified personnel familiar with the drive and associated machinery can plan or implement the installation, startup, adjustment, and subsequent maintenance or repair of the system. You must have previous experience with and a basic understanding of electrical terminology, configuration procedures, required equipment, and safety precautions. See publication [35-UM001](#).



BURN HAZARD: Surfaces may reach dangerous temperatures. Ensure that the device is cool before beginning maintenance and use appropriate personal protective equipment (PPE).

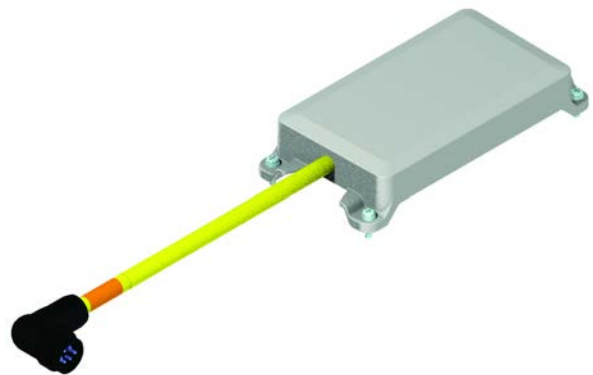
IMPORTANT

AC drives do not typically offer protection for externally mounted dynamic brake resistors. A risk of fire exists if external braking resistors are not protected from drive component failure, for example, failure of the brake IGBT. In this case, external resistor packages must be protected from overtemperature condition using a protective circuit, or equivalent.



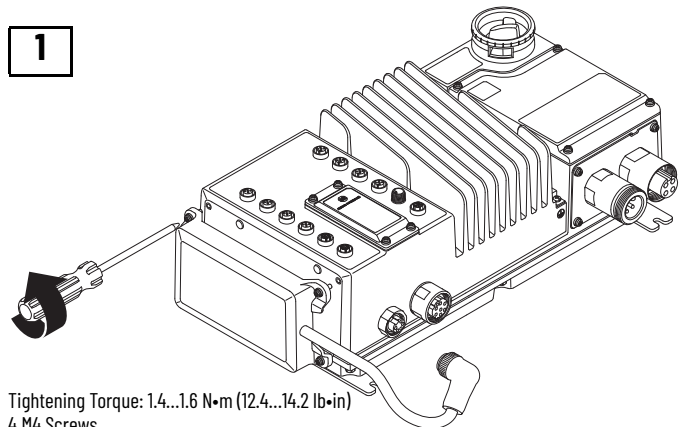
The Armor PowerFlex drive can internally detect a thermal event on its dedicated dynamic brake resistor kits and shut down the Electronic Motor Disconnect. This eliminates the need for the upstream control devices like the one shown.

Package Contents



Install the Dynamic Brake

1



Tightening Torque: 1.4...1.6 N•m (12.4...14.2 lb•in)
4 M4 Screws



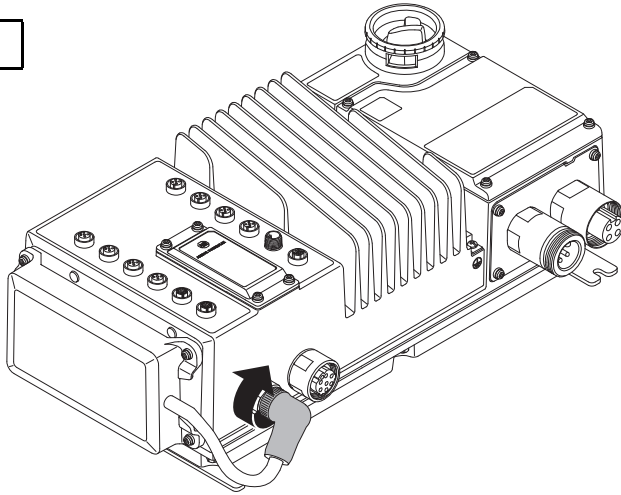
BURN HAZARD: Resistor temperature can exceed 200 °C (392 °F).



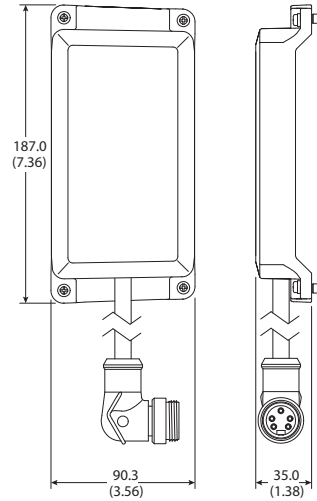
If you are installing logic and splash guards, you must complete that before installing the dynamic brake resistors. See publication [35-IN003](#).

Connect the Cable

2



Approximate Dimensions in mm (in.)



Additional Resources

These documents contain additional information concerning related products from Rockwell Automation.

Resource	Description
Armor PowerFlex Drives Specifications, publication 35-TD001	Provides product selection information and specifications for Armor™ PowerFlex® drives and accessories.
Armor PowerFlex Drives User Manual, publication 35-UM001	Provides information on how to install, set up, program, operate, and troubleshoot Armor PowerFlex drives.
Armor PowerFlex Logic and Splash Guards Installation Instructions, publication 35-IN003	Provides information on how to install logic and splash guards on Armor PowerFlex drives.
Armor PowerFlex Drives Installation Instructions, publication 35-PC001	Provides information on how to install and set up Armor PowerFlex drives.
On-Machine Media for ArmorStart and ArmorConnect Selection Guide, publication 280PWR-SG001	Provides product selection and specification information for ArmorStart and ArmorConnect media.
Cordsets & Field Attachables Technical Data, publication 889-TD002	Provides additional control and auxiliary power media options and technical specifications.
Safety Guidelines for the Application, Installation, and Maintenance of Solid-state Control, publication SGI-1.1	Designed to harmonize with NEMA Standards Publication No. ICS 1.1-1987 and provides general guidelines for the application, installation, and maintenance of solid-state control in the form of individual devices or packaged assemblies incorporating solid-state components.
Wiring and Grounding Guidelines for Pulse-width Modulated (PWM) AC Drives, publication DRIVES-IN001	Provides provides basic information to install, protect, wire, and ground pulse-width modulated (PWM) AC drives.
Rockwell Automation Global SCCR tool, rok.auto/sccr	Provides coordinated high-fault branch circuit solutions for motor starters, soft starters, and component drives.
Product Certifications website, rok.auto/certifications	Provides declarations of conformity, certificates, and other certification details.

Waste Electrical and Electronic Equipment (WEEE)







At the end of life, this equipment should be collected separately from any unsorted municipal waste.

Rockwell Automation maintains current product environmental compliance information on its website at [rok.auto/pec](#).

Your comments help us serve your documentation needs better. If you have any suggestions on how to improve our content, complete the form at [rok.auto/docfeedback](#).

For technical support, visit [rok.auto/support](#).

Rockwell Otomasyon Ticaret A.Ş. Kar Plaza İş Merkezi E Blok Kat:6 34752, İçerenköy, İstanbul, Tel: +90 (216) 5698400 EEE Yönetmeliğine Uygundur

Connect with us.    

[rockwellautomation.com](#)

expanding human possibility™

AMERICAS: Rockwell Automation, 1201 South Second Street, Milwaukee, WI 53204-2496 USA, Tel: (1) 414.382.2000, Fax: (1) 414.382.4444

EUROPE/MIDDLE EAST/AFRICA: Rockwell Automation NV, Pegasus Park, De Kleetlaan 12a, 1831 Diegem, Belgium, Tel: (32) 2 663 0600, Fax: (32) 2 663 0640

ASIA PACIFIC: Rockwell Automation, Level 14, Core F, Cyberport 3, 100 Cyberport Road, Hong Kong, Tel: (852) 2887 4788, Fax: (852) 2508 1846



5014 141 400

Allen-Bradley, Armor, expanding human possibility, PowerFlex, and Rockwell Automation are trademarks of Rockwell Automation, Inc. Trademarks not belonging to Rockwell Automation are property of their respective companies.

Publication 35-IN006A-EN-P - May 2022

Copyright © 2022 Rockwell Automation, Inc. All rights reserved. Printed in the U.S.A.