

Installation Instructions

Original Instructions



Allen-Bradley

by ROCKWELL AUTOMATION

Armor PowerFlex Replacement Mounting Feet

Catalog Number 35-MMF-AB



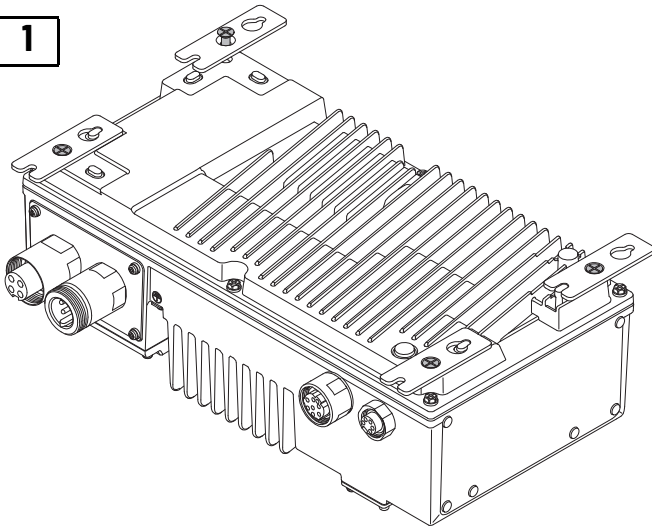
ATTENTION: Only trained and qualified personnel familiar with the drive and associated machinery can plan or implement the installation, startup, adjustment, and subsequent maintenance or repair of the system. You must have previous experience with and a basic understanding of electrical terminology, configuration procedures, required equipment, and safety precautions. See publication [35-UM001](#).

Package Contents



Place the Mounting Feet in the Desired Position

1



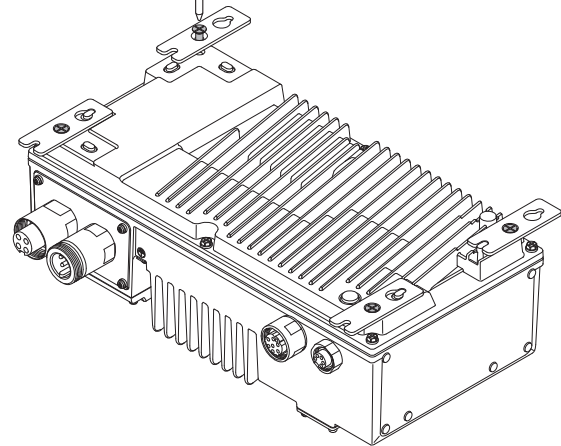
Make sure that the mounting feet are aligned with the keyed protrusions on the back of the Armor™ PowerFlex® drive. For more information about mounting options, see the Armor PowerFlex Drives User Manual, publication [35-UM001](#).

Tighten the Screws

2

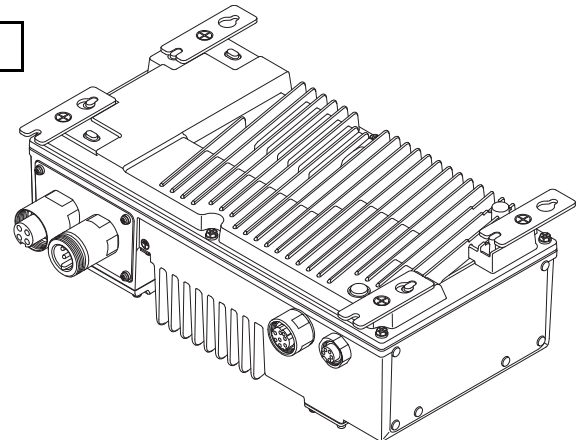


Tightening Torque: 2.0...2.2 N·m (17.4...19.1 lb·in)
4 M6 Screws

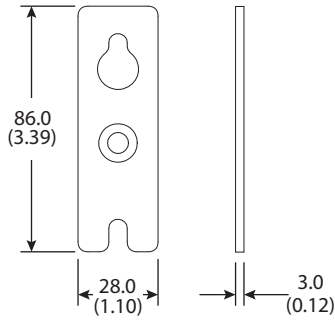


Installation is Complete

3



Approximate Dimensions in mm (in.)



Additional Resources

These documents contain additional information concerning related products from Rockwell Automation.

Resource	Description
Armor PowerFlex Drives Specifications, publication 35-TD001	Provides complete product selection information and specifications for Armor™ PowerFlex® drives and accessories.
Armor PowerFlex Drives User Manual, publication 35-UM001	Provides information on how to install, set up, program, operate, and troubleshoot Armor PowerFlex drives.
Armor PowerFlex Drives Installation Instructions, publication 35-PC001	Provides information on how to install and set up Armor PowerFlex drives.
Safety Guidelines for the Application, Installation, and Maintenance of Solid-state Control, publication SGL-11	Designed to harmonize with NEMA Standards Publication No. ICS 1.1-1987 and provides general guidelines for the application, installation, and maintenance of solid-state control in the form of individual devices or packaged assemblies incorporating solid-state components.
Wiring and Grounding Guidelines for Pulse-width Modulated (PWM) AC Drives, publication DRIVES-IN001	Provides provides basic information to install, protect, wire, and ground pulse-width modulated (PWM) AC drives.
Product Certifications website, rok.auto/certifications	Provides declarations of conformity, certificates, and other certification details.

Waste Electrical and Electronic Equipment (WEEE)



At the end of life, this equipment should be collected separately from any unsorted municipal waste.

Rockwell Automation maintains current product environmental compliance information on its website at rok.auto/pec.

Your comments help us serve your documentation needs better. If you have any suggestions on how to improve our content, complete the form at rok.auto/docfeedback.

For technical support, visit rok.auto/support.

Rockwell Otomasyon Ticaret A.Ş. Kar Plaza İş Merkezi E Blok Kat:6 34752 İçerenköy, İstanbul, Tel: +90 (216) 5698400 EEE Yönetmeliğine Uygundur

Connect with us.

rockwellautomation.com

expanding human possibility®

AMERICAS: Rockwell Automation, 1201 South Second Street, Milwaukee, WI 53204-2496 USA, Tel: (1) 414.382.2000, Fax: (1) 414.382.4444

EUROPE/MIDDLE EAST/AFRICA: Rockwell Automation NV, Pegasus Park, De Kleetlaan 12a, 1831 Diegem, Belgium, Tel: (32) 2 663 0600, Fax: (32) 2 663 0640

ASIA PACIFIC: Rockwell Automation, Level 14, Core F, Cyberport 3, 100 Cyberport Road, Hong Kong, Tel: (852) 2887 4788, Fax: (852) 2508 1846

Allen-Bradley, Armor, expanding human possibility, PowerFlex, and Rockwell Automation are trademarks of Rockwell Automation, Inc.

Trademarks not belonging to Rockwell Automation are property of their respective companies

Publication 35-IN004A-EN-P - May 2022

Copyright © 2022 Rockwell Automation, Inc. All rights reserved. Printed in the U.S.A.



5014 141 200