



MobileView Junction Box

(Catalog Number 2727-MRJB2)

English

The MobileView Junction Box (2727-MRJB2) integrates the following terminals into the control system:

- MobileView Guard G750
- MobileView Machine Terminal MT750

The Junction Box can be used either inside or outside a control cabinet based on its IP65 rating.

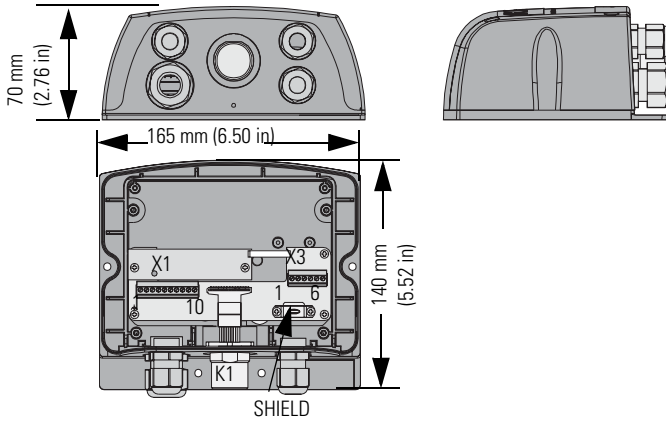
The cables that connect the MobileView terminal to the Junction Box are available as separate catalog numbers.

- MobileView Connection Cable (Catalog Numbers 2727-MRTxx) connects the MobileView terminal to the Junction Box. The Connection Cable is available in 5, 10, 15, 20 meter (16.4, 32.8, 49.2, 65.6 foot) lengths.
- MobileView Junction Box Cable (2727-MREY1) connects the Junction Box to the MobileView Connection Cable when the Junction Box is mounted inside a cabinet. The cable is 2 meters (6.56 feet) long.

Inside...

Junction Box Dimensions and Connections	2
Mounting the Junction Box on a DIN Rail	3
Connecting the MobileView Terminal to the Junction Box	5
Junction Box Pinout and Wiring	6
Specifications	7

Junction Box Dimensions and Connections



K1	17-pin female connector for connection cable
X1	Terminal block for power and control lines
X3	Terminal block for data lines
SHIELD	Cable shield clamp with connection surface for shield of data lines (not used for strain-relief of the cable)

ATTENTION



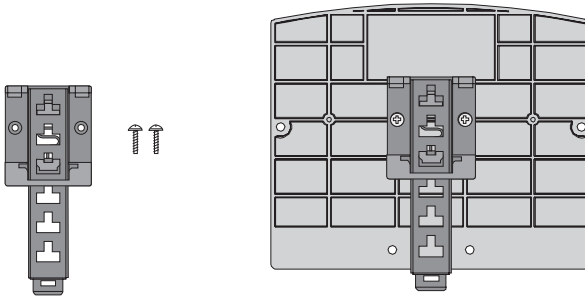
The Junction Box and the MobileView terminal meet the safety class III in accordance with EN 61131-2 and EN 50178. When connecting the MobileView terminal, make sure all voltages connected to the terminal are safety low voltages and isolated from the low voltage supply system by a safety transformer or a similar safety component.

Mounting the Junction Box on a DIN Rail

Mount the Junction Box on a DIN rail inside the enclosure.

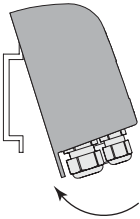
Attach DIN Rail Adapter to MobileView Terminal

Attach the DIN Rail Adapter to the back of the Junction Box using the screws provided.



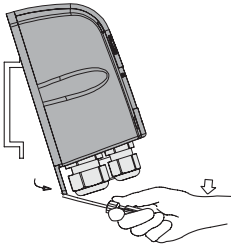
To install the Junction Box on a DIN rail:

1. Mount the DIN rail.
2. Hook the top slot of the adapter over the DIN rail.
3. While pressing the Junction Box against the DIN rail, snap the Junction Box into position.



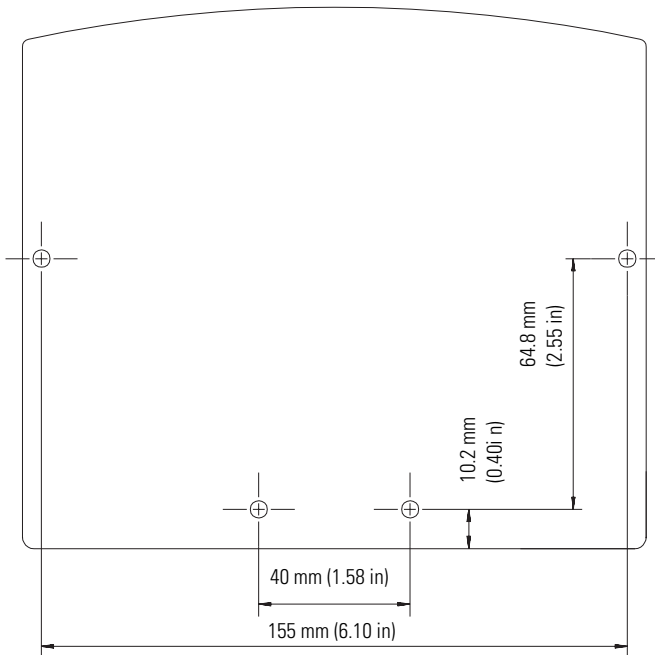
To remove the Junction Box from the DIN rail:

1. Place a screwdriver in the adapter latch at the bottom of the Junction Box.
2. Holding the Junction Box, pry downward on the latch until the Junction Box is released from the DIN rail.

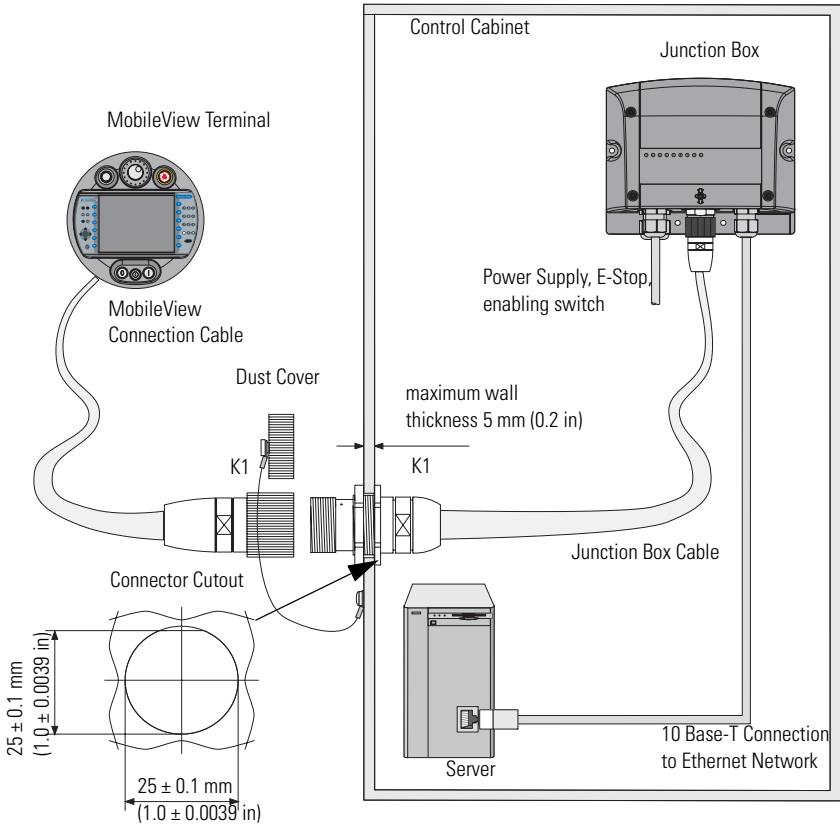


Mounting Junction Box to a Wall

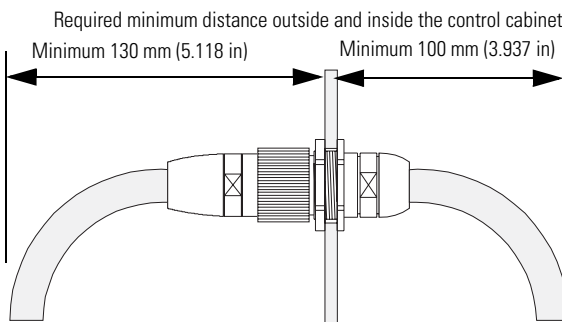
Use the dimensions below for drilling the holes to mount the MobileView Junction Box to a wall. Use the manufacturer's recommendation for hole size based on the screw type and mounting surface.



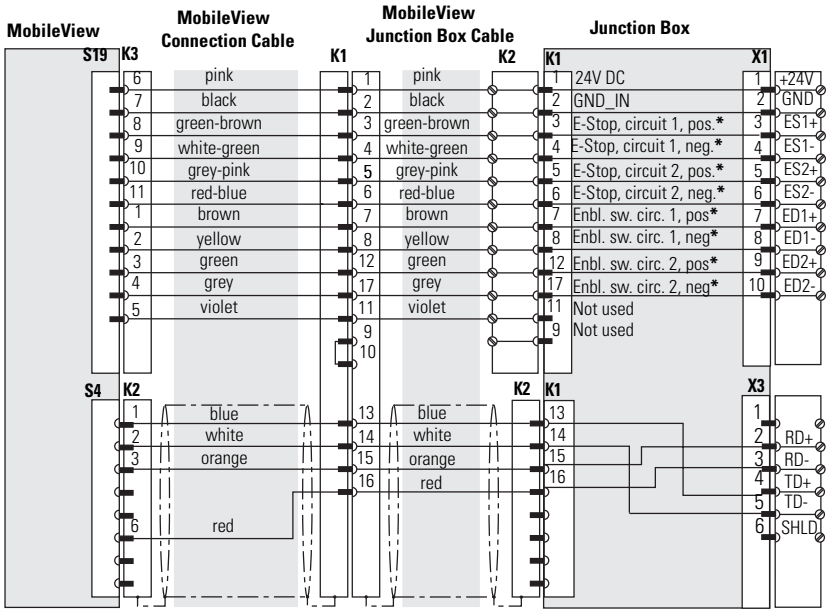
Connecting the MobileView Terminal to the Junction Box



Cable Clearance



Junction Box Pinout and Wiring



* Junction Box connections are for connection to MobileView Guard G750 Terminals only.

ATTENTION



Refer to the MobileView Guard User Manual (Publication 2727-UM002) for important information on wiring and implementing into machine safety systems.

Specifications

Electrical Specifications	
24V dc Power Supply	Use a 24V dc Safety Extra Low Voltage power supply. Supply Voltage Range: 18V dc to 32V dc Current Consumption: 450mA at 24V dc, 600mA at 18V dc (with MobileView Terminal attached) Peak Inrush Current: 5.6a maximum
Environment Specifications	
Operating Temperature	+0°C to +50°C (+32°F to +122°F)
Storage Temperature	-20°C to +70°C (-4°F to +158°F)
Relative Humidity (non-condensing)	5% to 95%
Vibration resistance (operation)	5 ≤ f < 9 Hz 7mm 9 ≤ f ≤ 150 Hz 2g
Shock Resistance (operation)	15g / 11 ms
Housing	
Construction	Double-walled ABS housing withstands grease, oil, lubricants, alcohol, etc.
Flammability Class	UL 94-V0
Dimensions (W x H x D)	160 mm x 140 mm x 70 mm (6.3 in x 5.5 in x 2.76 in)
NEMA Rating	IP65

ATTENTION



The device meets the safety class III in accordance with EN 61131-2 and EN 50178. The 24V power supply for the equipment must provide appropriate isolation between the safety-extra-low-voltage circuits and dangerous-contact voltage circuits (for example, by safety transformers).

The power supply circuit must be protected by a 3.5A fuse.

The nominal supply voltage of the MobileView terminal without the connection cable is 24V dc (supply voltage range: 18 -32V dc).

When planning the power supply, consider the voltage drop in the connection cable. Specifications of the power supply lines in the cable are:

- Cross section: AWG24 (0.24mm²)
- Material: zinc-coated copper strand
- Line resistance: ≤90 Ohm/km (≤145 Ohm/mile)

