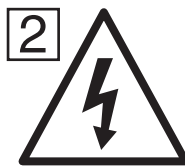
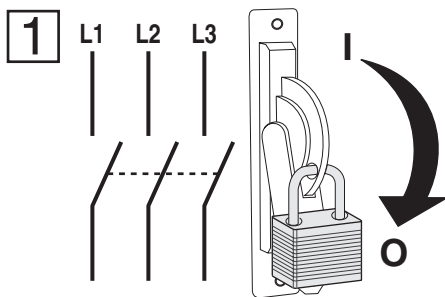




**PowerFlex 40 Communication Adapter Cover**  
**PowerFlex 40 Kommunikationsadapter-Abdeckung**  
**Capot de l'adaptateur de communication PowerFlex 40**  
**Copertura per adattatori di comunicazione - PowerFlex 40**  
**Cubierta del Adaptador de Comunicaciones PowerFlex 40**  
**Communicatieadapterdeksel PowerFlex 40**  
**Tampa do adaptador comunicação do PowerFlex 40**

**Installation Instructions**  
**Installationsanleitung**  
**Installation**  
**Instalazione**  
**Instalación**  
**Instructies**  
**Instalação**



Wait three minutes for capacitors to discharge to safe voltage levels.

Drei Minuten warten, bis die Kondensatoren sich auf eine sichere Spannung entladen haben.

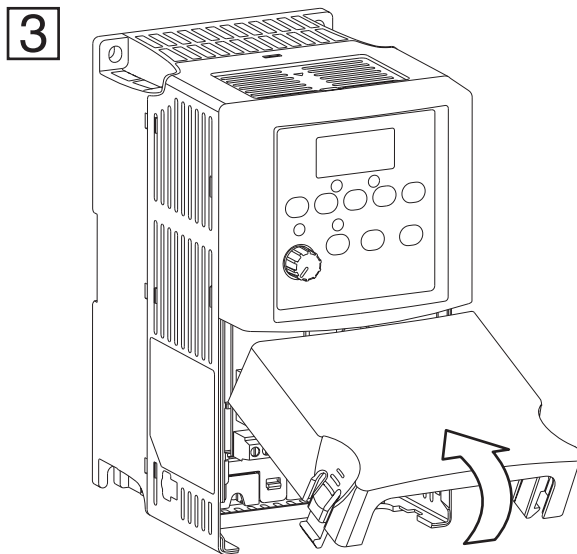
Attendre trois minutes pour s'assurer que les condensateurs se sont déchargés jusqu' à des niveaux de tension sans danger.

Attendere tre minuti affinché i condensatori si scarichino fino a raggiungere un livello di tensione sicuro.

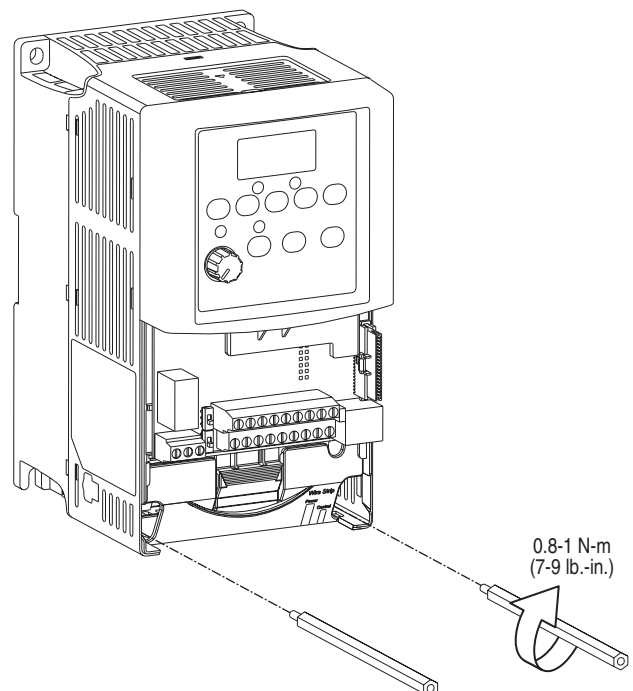
Espre tres minutos a que los condensadores se descarguen a niveles seguros de tensión; de lo contrario puede sufrir lesiones o incluso la muerte.

Wacht drie minuten zodat de condensators zich kunnen ontladen tot een veilig niveau.

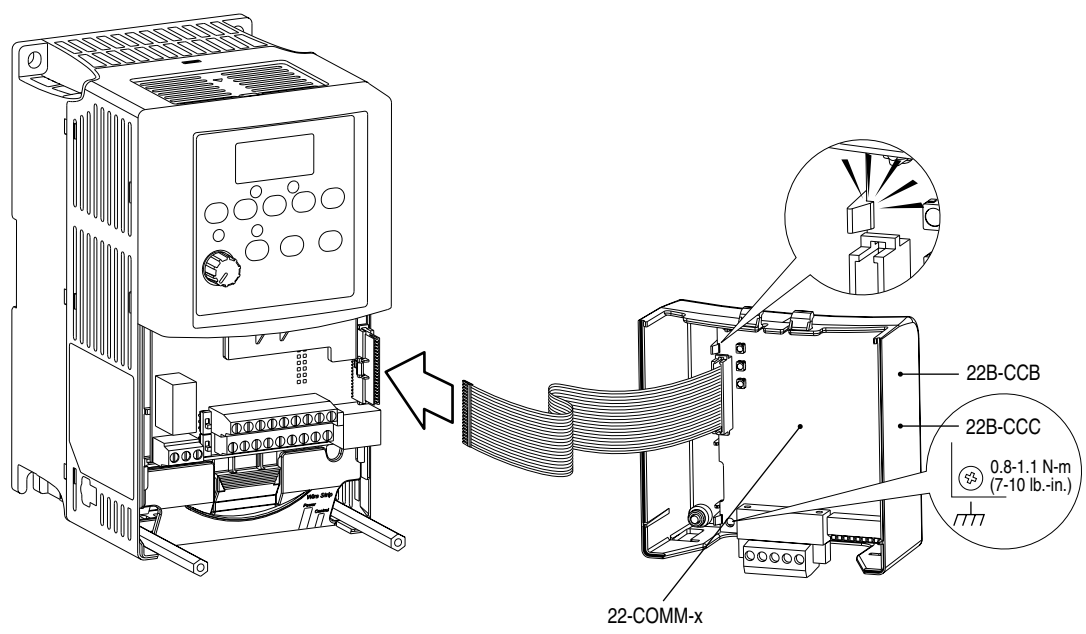
Espre três minutos para que os capacitores descarreguem a níveis seguros de tensão.



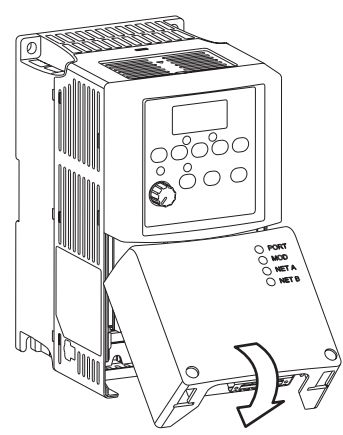
4



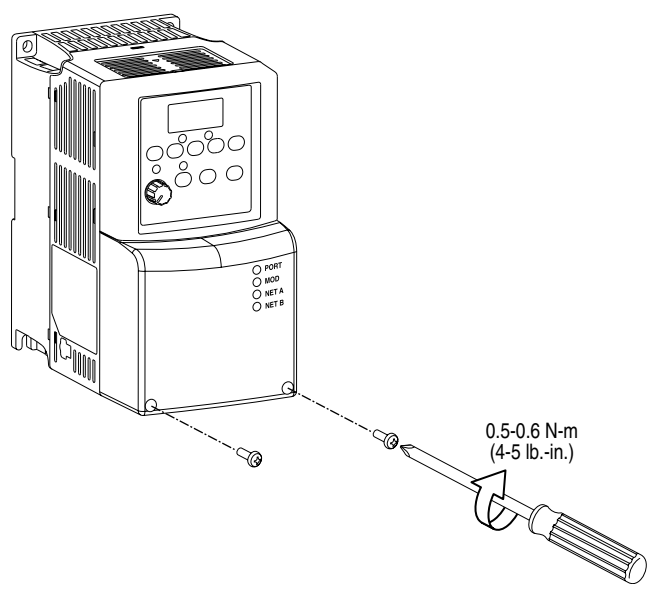
5



6



7



[www.abpowerflex.com](http://www.abpowerflex.com)



[www.rockwellautomation.com](http://www.rockwellautomation.com)

**Corporate Headquarters**  
 Rockwell Automation, 777 East Wisconsin Avenue, Suite 1400, Milwaukee, WI, 53202-5302 USA, Tel: (1) 414.212.5200, Fax: (1) 414.212.5201

**Headquarters for Allen-Bradley Products, Rockwell Software Products and Global Manufacturing Solutions**  
 Americas: Rockwell Automation, 1201 South Second Street, Milwaukee, WI 53204-2496 USA, Tel: (1) 414.382.2000, Fax: (1) 414.382.4444  
 Europe: Rockwell Automation SA/NV, Vorstlaan/Boulevard du Souverain 36-BP 3A/B, 1170 Brussels, Belgium, Tel: (32) 2 663 0600, Fax: (32) 2 663 0640  
 Asia Pacific: Rockwell Automation, 27/F Citicorp Centre, 19 Whitfield Road, Causeway Bay, Hong Kong, Tel: (852) 2887 4788, Fax: (852) 2508 1846

**Headquarters for Dodge and Reliance Electric Products**  
 Americas: Rockwell Automation, 6040 Ponders Court, Greenville, SC 29615-4617 USA, Tel: (1) 864.297.4800, Fax: (1) 864.281.2433  
 Europe: Rockwell Automation, Brühlstraße 22, D-74834 Elztal-Dallau, Germany, Tel: (49) 6261 9410, Fax: (49) 6261 1774  
 Asia Pacific: Rockwell Automation, 55 Newton Road, #11-01/02 Revenue House, Singapore 307987, Tel: (65) 351 6723, Fax: (65) 355 1733

**U.S. Allen-Bradley Drives Technical Support**  
 Tel: (1) 262.512.8176, Fax: (1) 262.512.2222, Email: support@drives.ra.rockwell.com, Online: www.ab.com/support/abdrives

Publication 22B-IN001A-MU-P – January 2003

