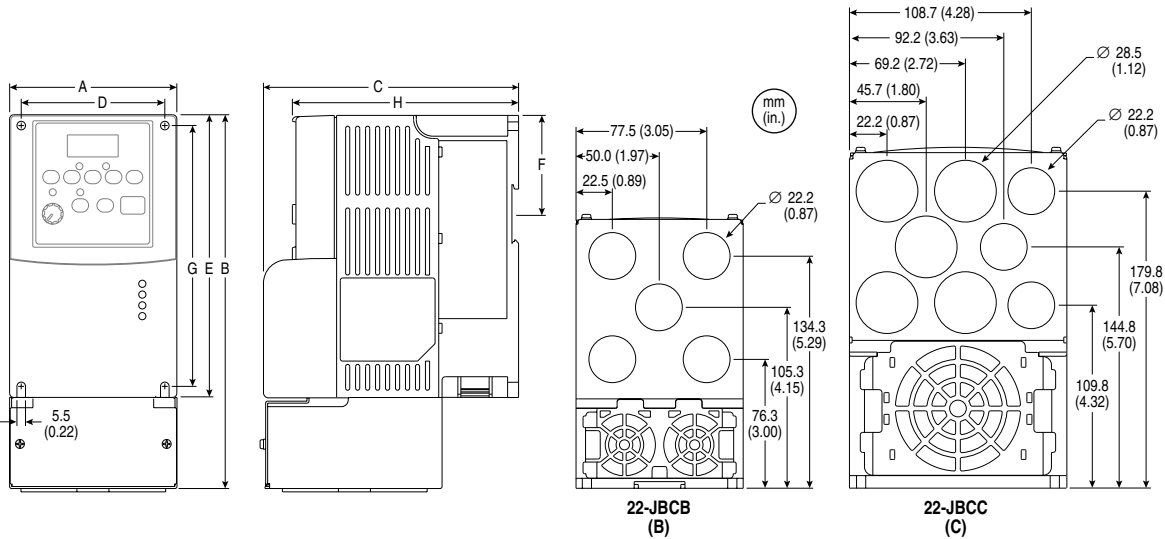


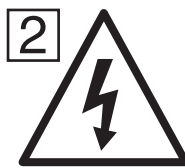
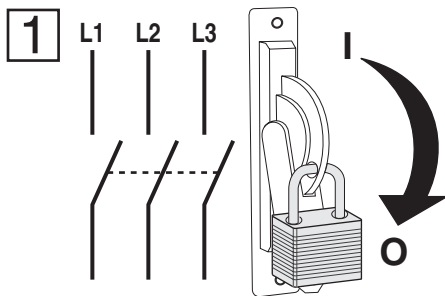


Installation Instructions
Installationsanleitung
Installation
Installazione
Instalación
Instructies
Instalação

PowerFlex 40/400/40P IP 30/NEMA 1/UL Type 1 Conversion Kit for Communication Option (Series B)
 PowerFlex 40/400/40P Optionkits IP 30/NEMA 1/UL-Typ 1 (Serie B)
 PowerFlex 40/400/40P Kit d'option IP 30/NEMA 1/UL type 1 (Série B)
 PowerFlex 40/400/40P Kit opzionale IP 30/NEMA 1/Tipo UL 1 (Serie B)
 PowerFlex 40/400/40P Conjunto opcional IP 30/NEMA 1/UL Tipo 1 (Serie B)
 PowerFlex 40/400/40P optie voor IP 30/NEMA 1/UL type 1 (Serie B)
 PowerFlex 40/400/40P Kit opcional IP 30/NEMA 1/UL Tipo 1 (Série B)



	A	B	C	D	E	F	G	H
22-JBCB (B)	100 (3.94)	244 (9.61)	161 (6.34)	87 (3.43)	180 (7.09)	87.4 (3.44)	168 (6.61)	136 (5.35)
22-JBCC (C)	130 (5.12)	320 (12.60)	205 (8.07)	116 (4.57)	260 (10.24)	-	246 (9.69)	180 (7.1)



Wait three minutes for capacitors to discharge to safe voltage levels.

Drei Minuten warten, bis die Kondensatoren sich auf eine sichere Spannung entladen haben.

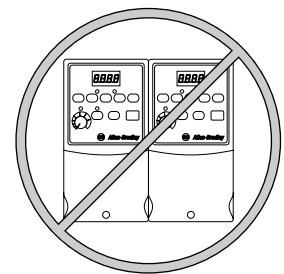
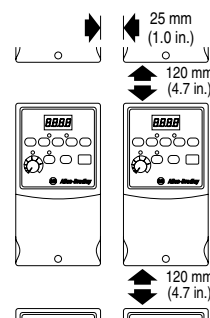
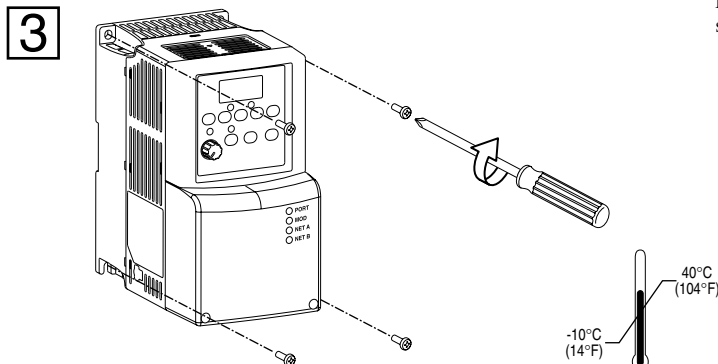
Attendre trois minutes pour s'assurer que les condensateurs se sont déchargés jusqu' à des niveaux de tension sans danger.

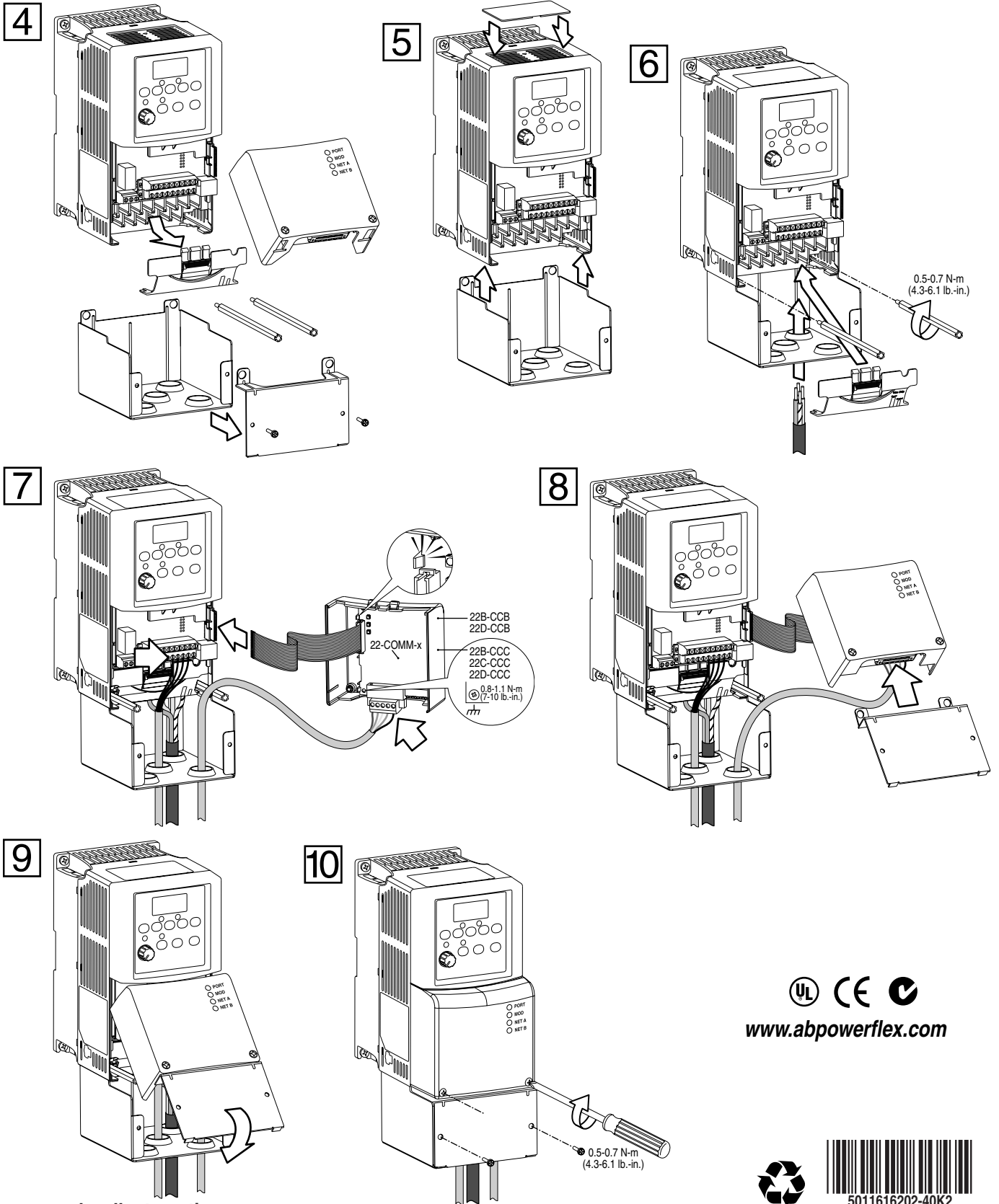
Attendere tre minuti affinché i condensatori si scarichino fino a raggiungere un livello di tensione sicuro.

Espre tres minutos a que los condensadores se descar-guen a niveles seguros de tensión; de lo contrario puede sufrir lesiones o incluso la muerte.

Wacht drie minuten zodat de condensators zich kunnen ontladen tot een veilig niveau.

Espre três minutos para que os capacitores descarreguem a níveis seguros de tensão.





www.rockwellautomation.com

UL CE 
www.abpowerflex.com



Power, Control and Information Solutions Headquarters

Americas: Rockwell Automation, 1201 South Second Street, Milwaukee, WI 53204-2496 USA, Tel: (1) 414.382.2000, Fax: (1) 414.382.4444

Europe/Middle East/Africa: Rockwell Automation, Vorstlaan/Boulevard du Souverain 36, 1170 Brussels, Belgium, Tel: (32) 2 663 0600, Fax: (32) 2 663 0640

Asia Pacific: Rockwell Automation, Level 14, Core F, Cyberport 3, 100 Cyberport Road, Hong Kong, Tel: (852) 2887 4788, Fax: (852) 2508 1846

Publication 22-IN006B-MU-P – April 2006
 Supersedes 22-IN006A-MU-P – May 2005

Copyright © 2006 Rockwell Automation. All rights reserved. Printed in Taiwan.