

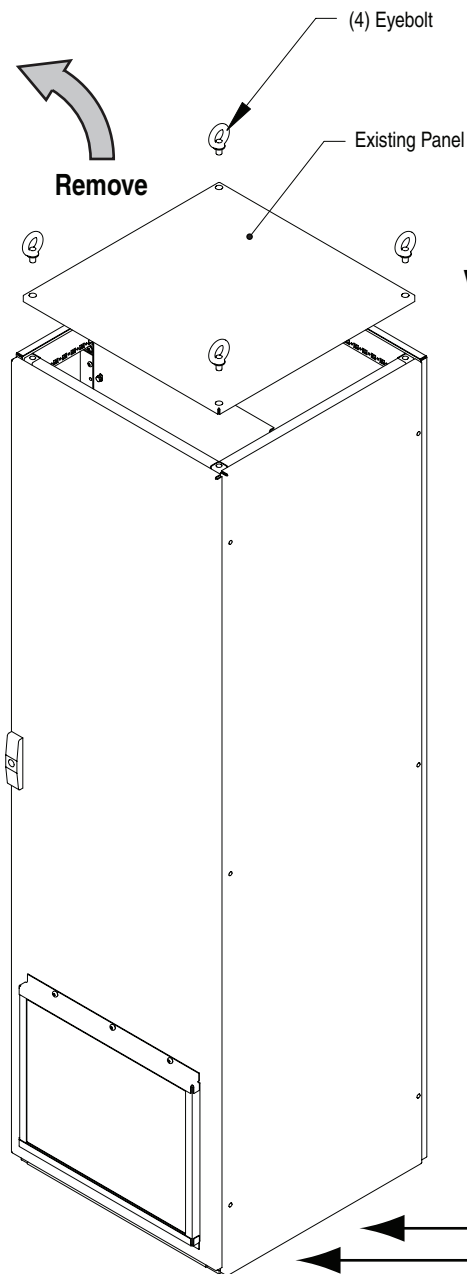


Vented Top Cover for PowerFlex 700L Frame 3A and 3B Liquid-Cooled AC Drives

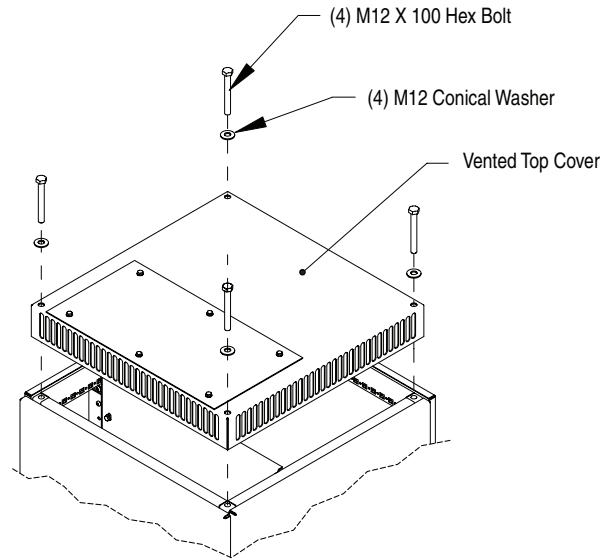
This document illustrates how to install an Allen-Bradley Vented Top Cover (P/N 376235-A01 for Frame 3A and P/N 376235-A02 for Frame 3B) onto the top of the **Input Filter Bay** of a PowerFlex 700L Liquid-Cooled Drive.



ATTENTION: Risk of equipment damage exists. Failure to install the vented top cover may cause equipment overheating.



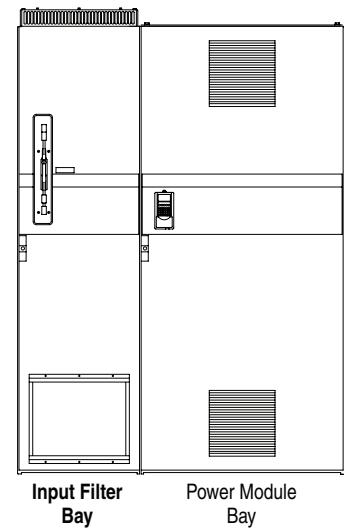
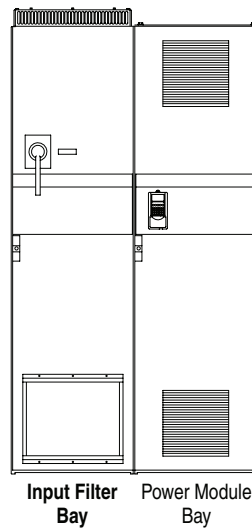
Install Vented Cover onto Input Filter Bay



Complete Drive After Installing Vented Top Cover

Frame 3A

Frame 3B



Input Filter Bay

U.S. Allen-Bradley Drives Technical Support - Tel: (1) 262.512.8176, Fax: (1) 262.512.2222, Email: support@drives.ra.rockwell.com, Online: www.ab.com/support/abdrives

www.rockwellautomation.com

Power, Control and Information Solutions Headquarters

Americas: Rockwell Automation, 1201 South Second Street, Milwaukee, WI 53204-2496 USA, Tel: (1) 414.382.2000, Fax: (1) 414.382.4444

Europe/Middle East/Africa: Rockwell Automation, Vorstlaan/Boulevard du Souverain 36, 1170 Brussels, Belgium, Tel: (32) 2 663 0600, Fax: (32) 2 663 0640

Asia Pacific: Rockwell Automation, Level 14, Core F Cyberport 3, 100 Cyberport Road, Hong Kong, Tel: (852) 2887 4788, Fax: (852) 2508 1846