



Logix Expansion Board for DriveLogix™ 5730



ATTENTION: To avoid an electric shock hazard, verify that the voltage on the bus capacitors has discharged before performing any work on the drive. Measure the DC bus voltage at the +DC & -DC terminals of the Power Terminal Block. The voltage must be zero.



ATTENTION: HOT surfaces can cause severe burns. **Do not** touch the heatsink surface during operation of the drive. After disconnecting power allow time for cooling.



ATTENTION: This drive contains **ESD** (Electrostatic Discharge) sensitive parts and assemblies. Static control precautions are required when installing, testing, servicing or repairing this assembly. Component damage may result if ESD control procedures are not followed. If you are not familiar with static control procedures, reference A-B publication 8000-4.5.2, “Guarding Against Electrostatic Damage” or any other applicable ESD protection handbook.

What This Kit Contains

Verify that your kit contains the items listed in the following table. If your kit does not contain the correct items, contact your Allen-Bradley sales representative.

| Quantity: | Description |
|-----------|--------------------------------|
| 1 | DriveLogix5730 Expansion Board |
| 4 | Screws |

Tools That You Need

- Phillips® screwdriver for M3 screws
- Standard (flat blade) screwdriver

Phillips® is a registered trademark of Phillips Screw Company

What You Need to Do

To install the DriveLogix5730 Expansion Board:

- Step 1: Remove power from the drive
- Step 2: Open the main drive door
- Step 3: Remove the control cassette from the drive
- Step 4: Remove the outside covers from the control cassette
- Step 5: Remove the old DriveLogix5730 Expansion Board

To install the DriveLogix5730 Expansion Board:

- Step 6: Install the new DriveLogix5730 Expansion Board
- Step 7: Install and configure other options which require the DriveLogix5730 Expansion Board
- Step 8: Replace the covers and control cassette
- Step 9: Document revision changes

To return a replaced DriveLogix5730 Expansion Board, use packing material from the new Expansion Board.

Step 1: Removing Power from the Drive



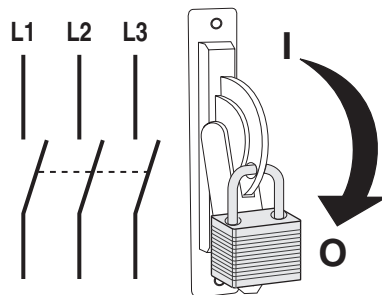
ATTENTION: To avoid an electric shock hazard, verify that the voltage on the bus capacitors has discharged before performing any work on the drive. Measure the DC bus voltage at the +DC & -DC terminals of the Power Terminal Block. The voltage must be zero.

Remove power before making or breaking cable connections. When you remove or insert a cable connector with power applied, an electrical arc may occur. An electrical arc can cause personal injury or property damage by:

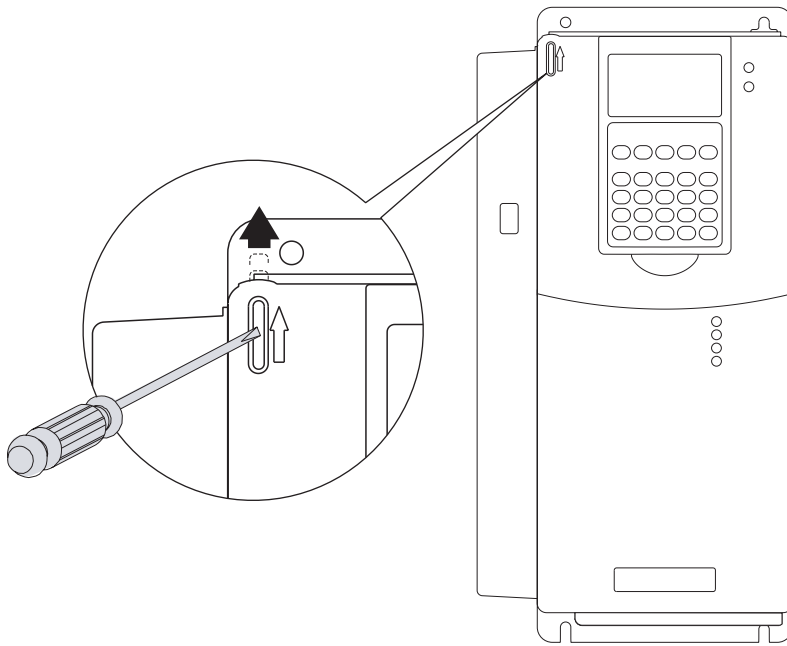
- sending an erroneous signal to your system's field devices, causing unintended machine motion
- causing an explosion in a hazardous environment

Electrical arcing causes excessive wear to contacts on both the module and its mating connector. Worn contacts may create electrical resistance.

| Task | Description |
|----------|--|
| A | Turn off and lock out input power. Wait five minutes. |
| B | Verify that there is no voltage at the drive's input power terminals. |
| C | Measure the DC bus voltage at the +DC & -DC terminals on the Power Terminal Block. The voltage must be zero. |



Step 2: Opening Door Over Power Structure and Main Control Board



Frames 1-4

Locate the slot in the upper left corner. Slide the locking tab up and swing the cover open. Special hinges allow cover to move away from drive and lay on top of adjacent drive (if present).

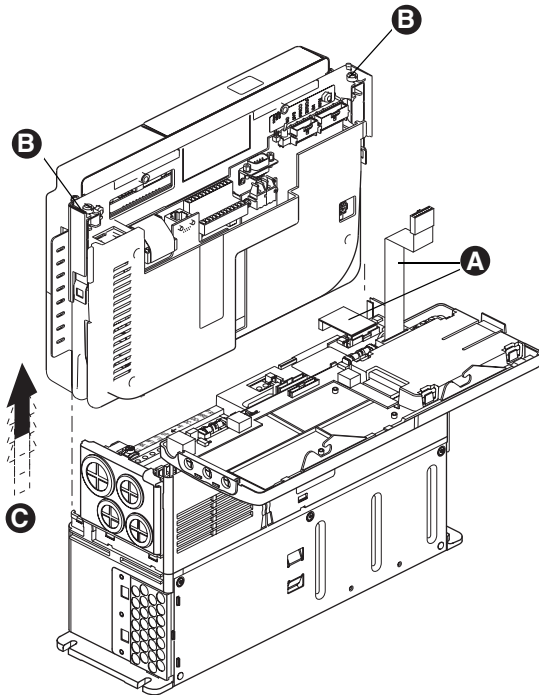
Frame 5

Slide the locking tab up, loosen the right-hand cover screw and remove.

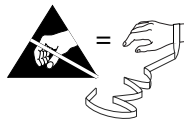
Frame 6

Loosen 2 screws at bottom of drive cover. Carefully slide bottom cover down & out. Loosen the 2 screws at top of cover and remove.

Step 3: Removing the Control Cassette from Drive

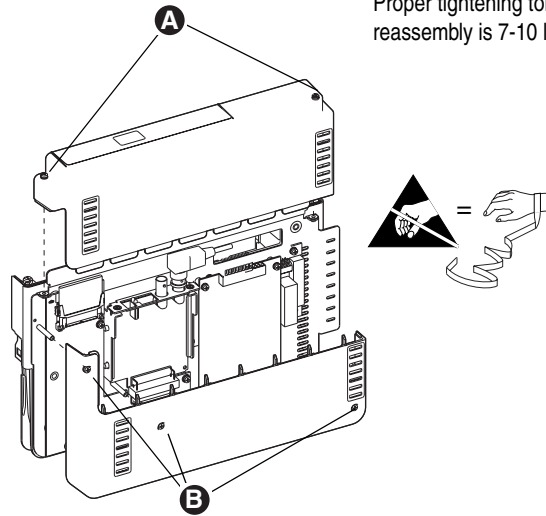


| Task | Description |
|----------|--|
| A | Disconnect the cables that connect to the main board |
| B | Loosen screws on face of cassette |
| C | Remove the cassette |



Step 4: Removing the Outside Covers from the Control Cassette

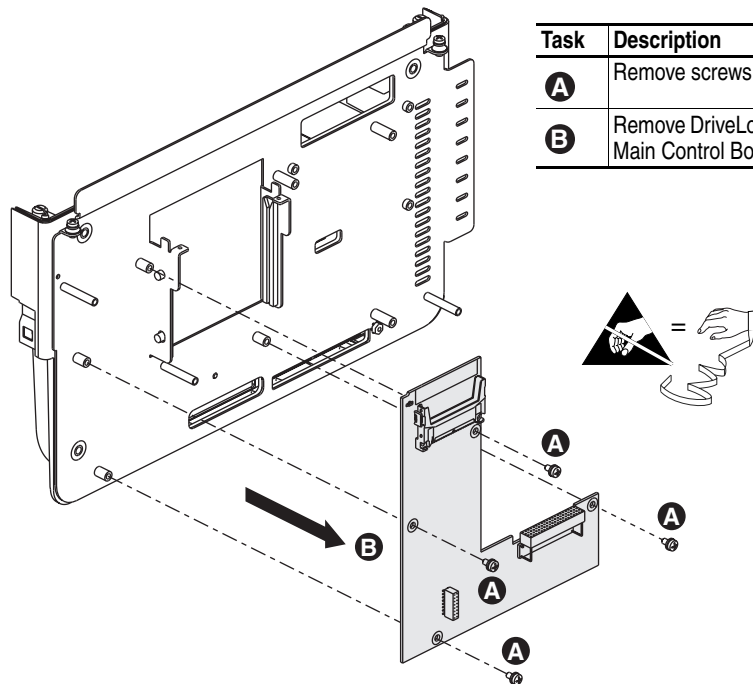
| Task | Description |
|----------|---|
| A | Loosen screws on face of front cover and remove the cover |
| B | Loosen screws on side of rear cover and remove the cover |



Proper tightening torque for reassembly is 7-10 lb.-in.

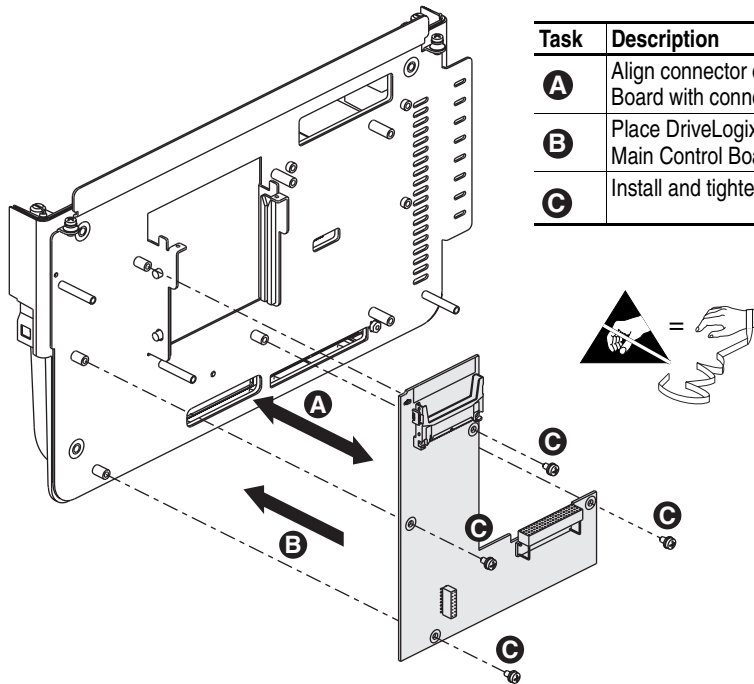
Step 5: Removing the DriveLogix5730 Expansion Board

Skip this step if you are installing a new DriveLogix5730 Expansion Board on a drive that does not already have one.



| Task | Description |
|----------|---|
| A | Remove screws |
| B | Remove DriveLogix5730 Expansion Board from the Main Control Board |

Step 6: Installing the DriveLogix5730 Expansion Board



| Task | Description |
|----------|--|
| A | Align connector on DriveLogix5730 Expansion Board with connector on Main Control Board |
| B | Place DriveLogix5730 Expansion Board on the Main Control Board |
| C | Install and tighten screws (7-10 lb.-in.) |

Step 7: Installing and Configuring the Options Which Require the DriveLogix5730 Expansion Board

Referring to the documentation for the options, install them. Allen-Bradley publications are available on the internet at www.rockwellautomation.com/literature.

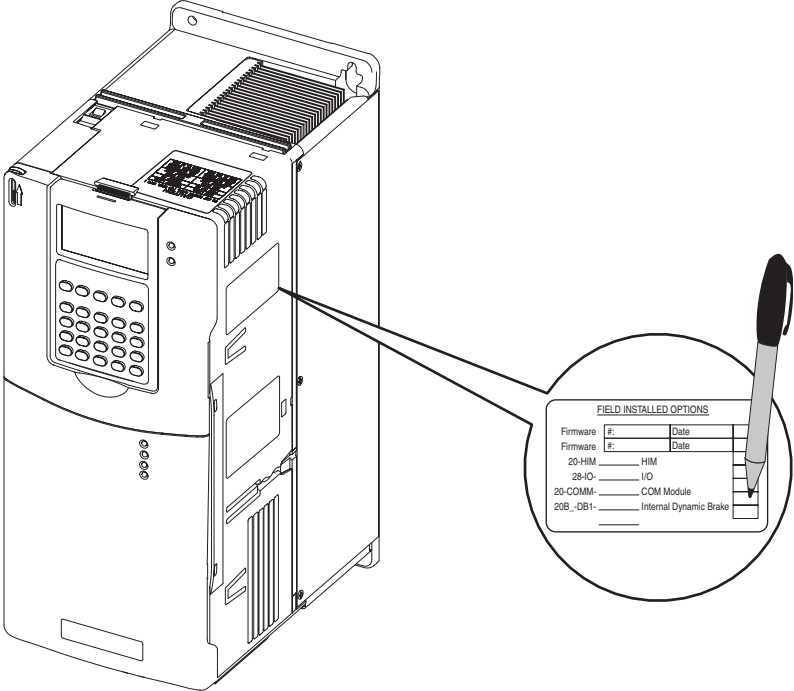
| Document | Publication Number |
|--|--------------------|
| Compact I/O Cable for DriveLogix5730 Controller | 20D-IN008... |
| ControlNet Communications Daughtercard (coax) Installation Instructions | 1788-IN002... |
| ControlNet Communications Daughtercard (fiber) Installation Instructions | 1788-IN005... |
| EtherNet/IP Communications Daughtercard Installation Instructions | 1788-IN054... |
| DeviceNet Communications Daughtercard Installation Instructions | 1788-IN053... |

Step 8: Replacing the Covers and Control Cassette

The procedure for replacing the covers and control cassette is the reverse of removing these components. Refer to [Step 4: Removing the Outside Covers from the Control Cassette on page 5](#) and [Step 3: Removing the Control Cassette from Drive on page 4](#).

Step 9: Documenting Revision Changes

Document drive revisions on the “Field Installed Options” tag. Use the blank line if you are installing the DriveLogix5730 Expansion Board in a drive that was manufactured without it.



▶ **TIP:** Use packing material from new DriveLogix5730 Expansion Board to return the replaced DriveLogix5730 Expansion Board



www.rockwellautomation.com

Power, Control and Information Solutions Headquarters

Americas: Rockwell Automation, 1201 South Second Street, Milwaukee, WI 53204-2496 USA, Tel: (1) 414.382.2000, Fax: (1) 414.382.4444

Europe/Middle East/Africa: Rockwell Automation, Vorstlaan/Boulevard du Souverain 36, 1170 Brussels, Belgium, Tel: (32) 2 663 0600, Fax: (32) 2 663 0640

Asia Pacific: Rockwell Automation, Level 14, Core F, Cyberport 3, 100 Cyberport Road, Hong Kong, Tel: (852) 2887 4788, Fax: (852) 2508 1846