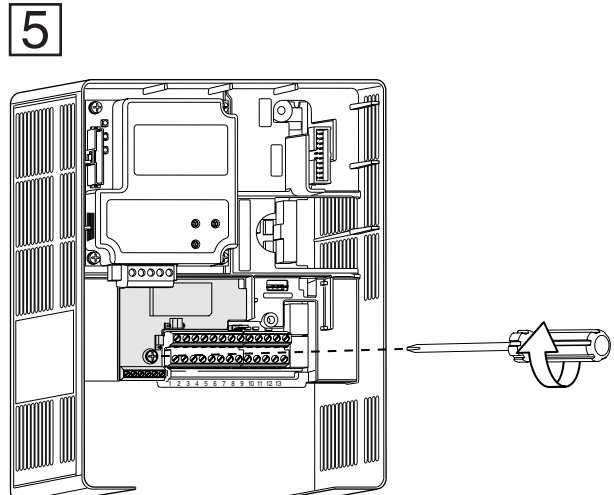
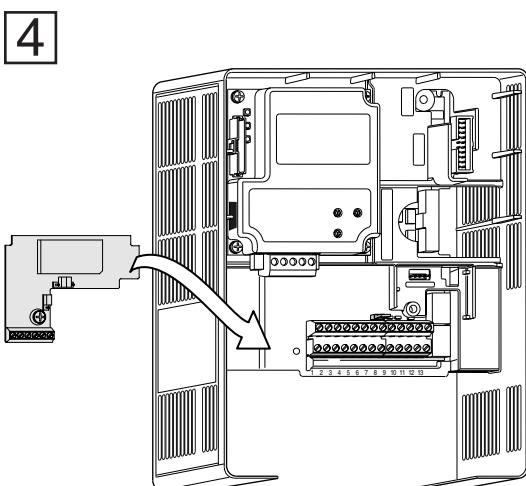
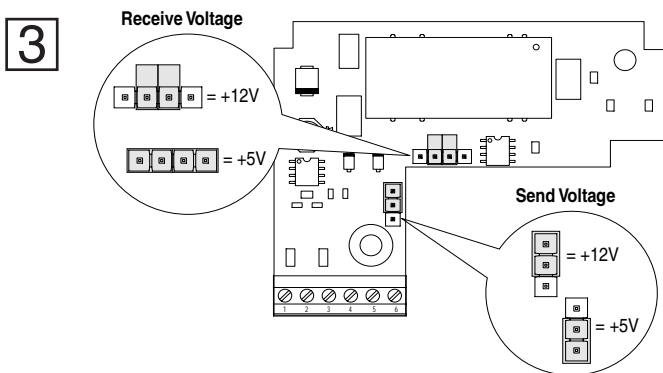
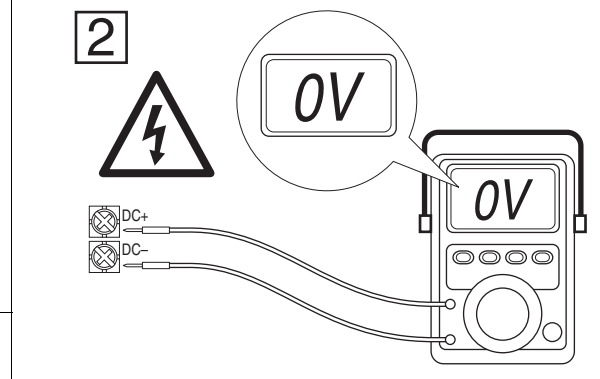
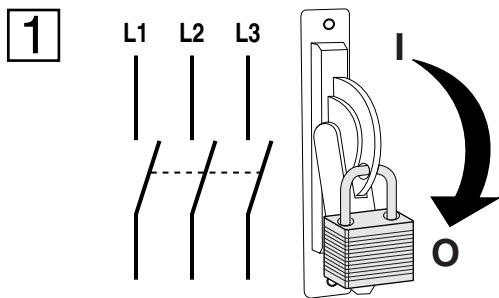
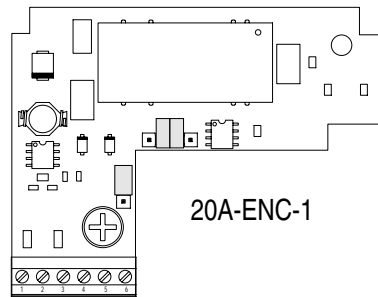




**PowerFlex 70 Encoder Option Board**  
**PowerFlex 70 Encoder-Optionskarte**  
**Carte d'option codeur du PowerFlex 70**  
**Scheda opzioni encoder PowerFlex 70**  
**Tarjeta Optativa de Encoder para PowerFlex 70**  
**Encoderoptiebord PowerFlex 70**  
**Placa opcional do encoder do PowerFlex 70**





[www.rockwellautomation.com](http://www.rockwellautomation.com)

---

**Power, Control and Information Solutions Headquarters**

Americas: Rockwell Automation, 1201 South Second Street, Milwaukee, WI 53204-2496 USA, Tel: (1) 414.382.2000, Fax: (1) 414.382.4444  
Europe/Middle East/Africa: Rockwell Automation, Vorstlaan/Boulevard du Souverain 36, 1170 Brussels, Belgium, Tel: (32) 2 663 0600, Fax: (32) 2 663 0640  
Asia Pacific: Rockwell Automation, Level 14, Core F, Cyberport 3, 100 Cyberport Road, Hong Kong, Tel: (852) 2887 4788, Fax: (852) 2508 1846

Publication 20A-IN007A-MU-P – September 2004

P/N 339278-P01  
Copyright © 2004 Rockwell Automation, Inc. All rights reserved. Printed in USA.