

Low-profile EnDat Feedback Modules

Catalog Numbers 2090-K6CK-KENDAT, 2090-K7CK-KENDAT

About the Low-profile EnDat Feedback Modules

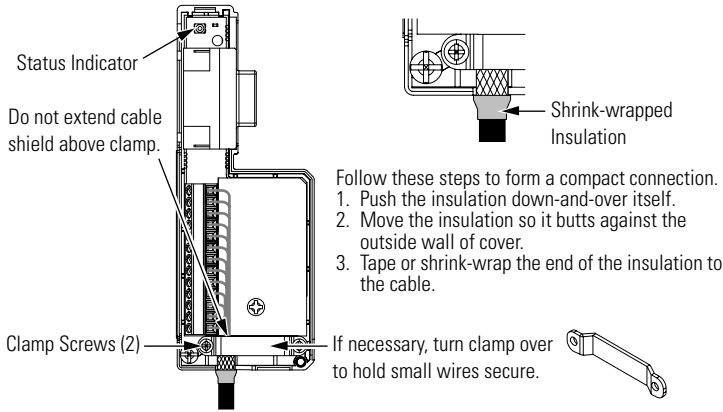
These modules provide wire termination for the EnDat feedback signals on the motor feedback (MF) connector on Kinetix 6000 and Kinetix 7000 drives.

Module Cat. No.	Drive Compatibility	Drive Cat. No.	Firmware Compatibility
2090-K6CK-KENDAT	Kinetix 6000	2094-xCxx-Mxx-S, 2094-xMxx-S	1.116 or later
2090-K7CK-KENDAT	Kinetix 7000	2099-BMxx-S	1.104 or later

Refer to the following publications for more information on wiring motor feedback signals:

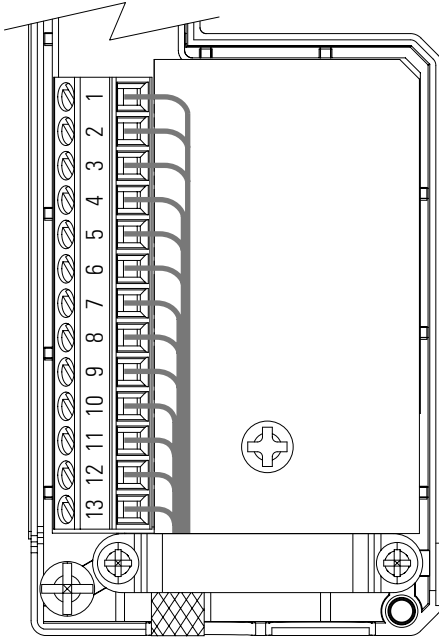
- Kinetix 6000 Multi-axis Servo Drive User Manual, publication [2094-UM001](#)
- Kinetix 7000 High Power Servo Drive User Manual, publication [2099-UM001](#)

Install the Low-profile EnDat Feedback Module



Attribute	2090-K6CK-KENDAT, 2090-K7CK-KENDAT
Cable diameter	4...10 mm (0.16...0.39 in.)
Screw terminal wire size	0.06...1.31 mm ² (30...16 AWG)
Recommended wire strip length	5 mm (0.2 in.) single conductor
Recommended torque	
Mounting screw	0.4 N•m (3.5 lb•in)
Terminal screws	0.2 N•m (2.1 lb•in)
Clamp and cover screws	0.4 N•m (3.5 lb•in)
Status indicator lights	
Red (flashing)	Establishing communication
Green (solid)	Communication established
Red (solid)	Communication fault

Connector Data



Terminal	Signal
1	SIN+ ⁽¹⁾
2	SIN- ⁽¹⁾
3	COS+ ⁽¹⁾
4	COS- ⁽¹⁾
5	+5V DC ⁽²⁾
6	ECOM ⁽³⁾
7	CLK+

Terminal	Signal
8	CLK-
9	DATA+
10	DATA-
11	TS+
12	TS- ⁽³⁾
13	NC

- (1) The cosine signal must lead the sine signal for phasing and commutation of a motor that results in clockwise rotation when looking at the motor shaft from the front.
- (2) The module connects to the 9V and 5V power supplies in the drive. The 9V power from the drive is used to power the signal conversion logic in the module. The 5V power is passed through to the encoder and is not used by the module.
- (3) The ECOM and TS- connections are tied together and connect to the cable shield. The TS- connection is required only when using third-party motor feedback cables.

Rockwell Automation Support

Rockwell Automation provides technical information on the Web to assist you in using its products. At <http://www.rockwellautomation.com/support/>, you can find technical manuals, a knowledge base of FAQs, technical and application notes, sample code and links to software service packs, and a MySupport feature that you can customize to make the best use of these tools.

For an additional level of technical phone support for installation, configuration and troubleshooting, we offer TechConnect support programs. For more information, contact your local distributor or Rockwell Automation representative, or visit <http://www.rockwellautomation.com/support/>.

Installation Assistance

If you experience a problem within the first 24 hours of installation, please review the information that's contained in this manual. You can also contact a special Customer Support number for initial help in getting your product up and running.

United States or Canada	1.440.646.3434
Outside United States or Canada	Use the Worldwide Locator at http://www.rockwellautomation.com/support/americas/phone_en.html , or contact your local Rockwell Automation representative.

New Product Satisfaction Return

Rockwell Automation tests all of its products to ensure that they are fully operational when shipped from the manufacturing facility. However, if your product is not functioning and needs to be returned, follow these procedures.

United States	Contact your distributor. You must provide a Customer Support case number (call the phone number above to obtain one) to your distributor to complete the return process.
Outside United States	Please contact your local Rockwell Automation representative for the return procedure.

Documentation Feedback

Your comments will help us serve your documentation needs better. If you have any suggestions on how to improve this document, complete this form, publication [BA-DU002](#), available at <http://www.rockwellautomation.com/literature>.

Allen-Bradley, Kinetix, Rockwell Automation, Rockwell Software, and TechConnect are trademarks of Rockwell Automation, Inc.

Trademarks not belonging to Rockwell Automation are property of their respective companies.

Rockwell Otomasyon Ticaret A.Ş., Kar Plaza İş Merkezi E Blok Kat:6 34752 İçerenköy, İstanbul, Tel: +90 (216) 5698400

www.rockwellautomation.com

Power, Control and Information Solutions Headquarters

Americas: Rockwell Automation, 1201 South Second Street, Milwaukee, WI 53204 USA, Tel: (1) 414.382.2000, Fax: (1) 414.382.4444

Europe/Middle East/Africa: Rockwell Automation, Vorstlaan/Boulevard du Souverain 36, 1170 Brussels, Belgium, Tel: (32) 2 663 0600, Fax: (32) 2 663 0640

Asia Pacific: Rockwell Automation, Level 14, Core F, Cyberport 3, 100 Cyberport Road, Hong Kong, Tel: (852) 2887 4788, Fax: (852) 2508 1846

Rockwell Automation Publication 2090-IN020C-EN-P - August 2010

PN-78223

Supersedes Publication 2090-IN020B-EN-P - September 2009

Copyright © 2010 Rockwell Automation, Inc. All rights reserved. Printed in the U.S.A.