

# Installation Instructions

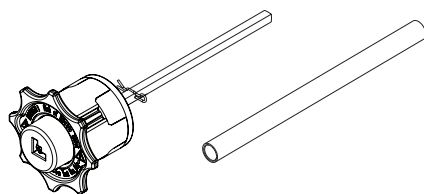
Bulletin 194U



## Operating Handle Poignee d'actionnement Bedienungshebel Mando operativo Manípulo de accionamiento Maniglia di azionamento (Cat 194U-N1)

- WARNING:** To prevent electrical shock, disconnect from power source before installing or servicing. Install in suitable enclosure. Keep free from contaminants.
- WARNUNG:** Vor Installations- oder Servicearbeiten Stromversorgung unterbrechen, um Unfälle zu vermeiden. Die Geräte müssen in einem passenden Gehäuse eingebaut und gegen Verschmutzung geschützt werden.
- AVERTISSEMENT:** Avant le montage et la mise en service, couper l'alimentation secteur afin d'éviter tout accident. Prévoir une mise en coffret ou armoire appropriée. Protéger le produit contre les environnements agressifs.
- AVVERTENZA:** Per prevenire infortuni, togliere tensione prima dell'installazione o manutenzione. Installare in custodia idonea. Tenere lontano da contaminanti.
- ADVERTENCIA:** Desconectar la alimentación eléctrica antes de realizar el montaje y la puesta en servicio, con el objeto de evitar accidentes. Instalado en una caja o armario apropiado. Proteger el producto de los ambientes agresivos.
- ПРЕДУПРЕЖДЕНИЕ:** Во избежание поражения электрическим током, отсоединить от источника питания перед установкой или обслуживанием. Устанавливать в соответствующем корпусе. Предохранять от загрязнений.
- 警告: 为了防止触电, 在安装或维修之前必须先切断电源。安装在合适的设备箱内。防止接触污染物。

### 194U-N1

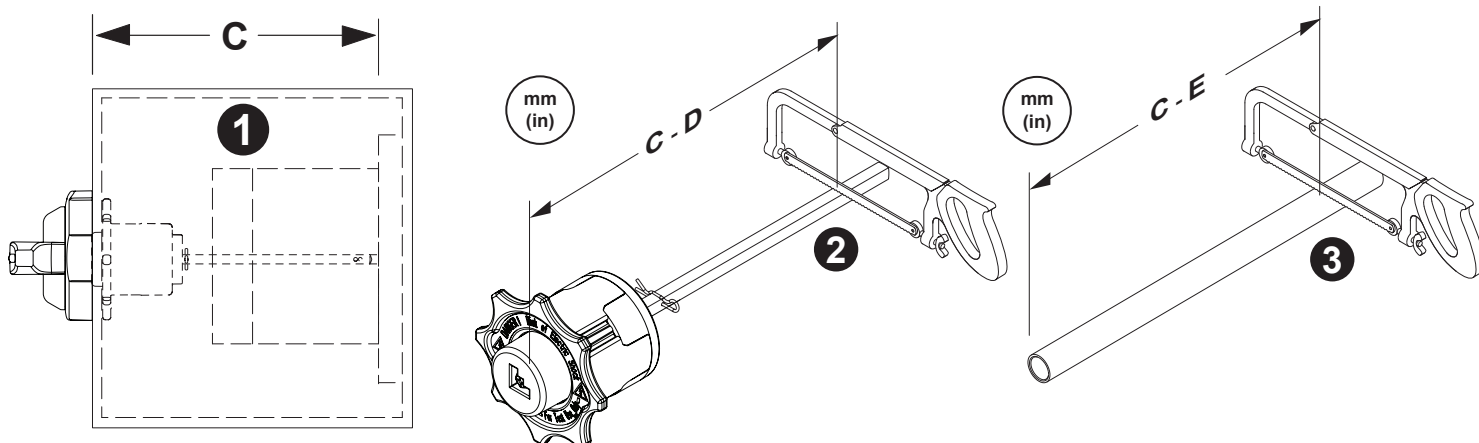


#### 1 Modification Änderung Modificación Modificação Modifica

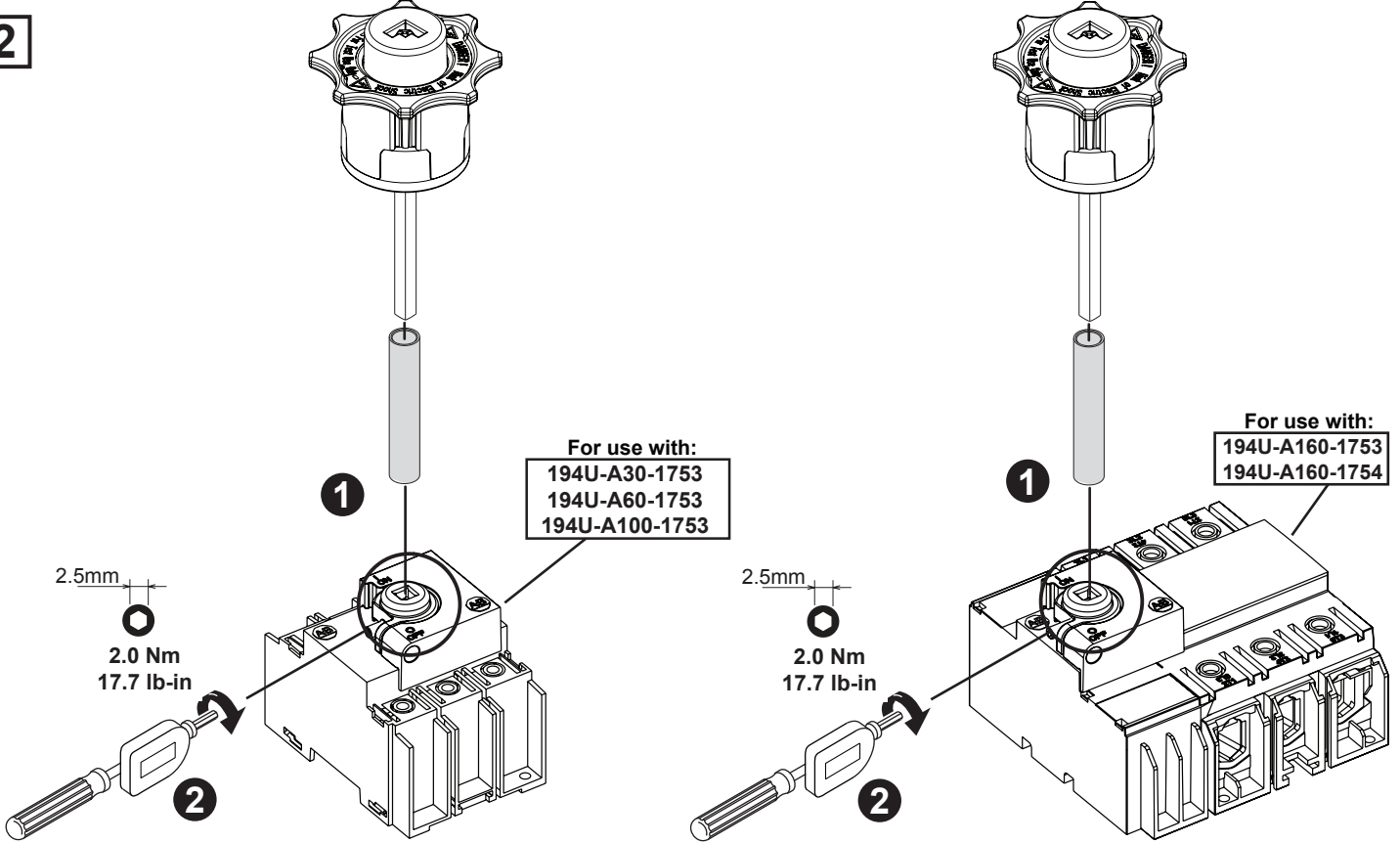
194R-PY 194R-PB	+	194U-A30-1753 194U-A60-1753 194U-A100-1753	+	194U-N1	A	ENCLOSURE DEPTH		D	E
						MIN	MAX		
					305 (12.0)	145 (5.7)	354 (13.9)	40.6 (1.6)	145 (5.7)

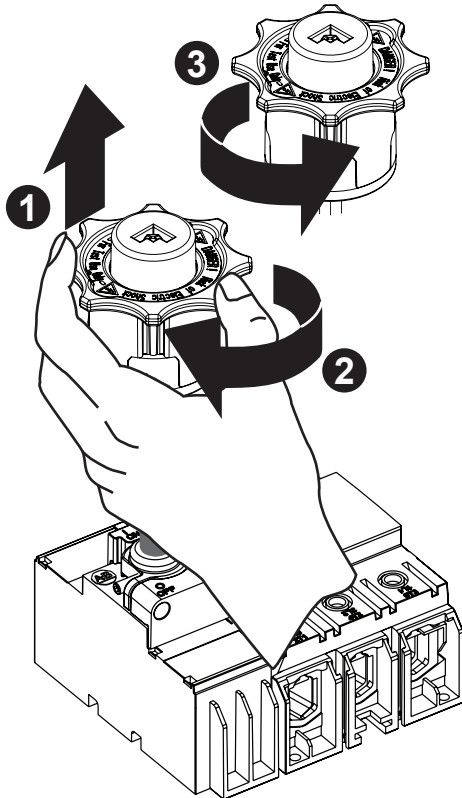
194R-PY 194R-PB	+	194U-A160-1753 194U-A160-1754	+	194U-N1	A	ENCLOSURE DEPTH		D	E
						MIN	MAX		
					305 (12.0)	145 (5.7)	348 (13.7)	31 (1.225)	145 (5.7)



2



3



Rockwell Automation maintains current product environmental information on its website at <http://www.rockwellautomation.com/rockwellautomation/about-us/sustainability-ethics/product-environmental-compliance.page>.  
Allen-Bradley, Rockwell Software, and Rockwell Automation are trademarks of Rockwell Automation, Inc.  
Trademarks not belonging to Rockwell Automation are property of their respective companies.

[www.rockwellautomation.com](http://www.rockwellautomation.com)

Power, Control and Information Solutions Headquarters

Americas: Rockwell Automation, 1201 South Second Street, Milwaukee, WI 53204-2496 USA, Tel: (1) 414.382.2000, Fax: (1) 414.382.4444

Europe/Middle East/Africa: Rockwell Automation NV, Pegasus Park, De Kleetlaan 12a, 1831 Diegem, Belgium, Tel: (32) 2 663 0600, Fax: (32) 2 663 0640

Asia Pacific: Rockwell Automation Level 14 Core F Cyberport 3 100 Cyberport Road Hong Kong Tel: (852) 2887 4788 Fax: (852) 2508 1846

PN-412185  
DIR 10002814833 (Version 03)  
Pub Number 194U-IN009A-EN-E  
Printed in U.S.A.

Copyright © 2018 Rockwell Automation, Inc. All Rights Reserved.

**Rockwell  
Automation**